

LAYOUT SHOWN AS EXAMPLE

Keying Shown as example

**CHARACTERISTICS**

- Standard : Based on MIL-DTL-38999 Series III
- Shell Material : Stainless Steel
- Shell Plating : Nickel
- Insulator : Thermoplastic
- Contacts : Copper Alloy
- Seals & Grommet : Silicon Elastomer
- Contact Plating : Gold over copper Alloy 0.8µm minimum
- Durability : 500 Mating cycles
- Delivered without Souriau contacts
- Temperature Range : -65°C to +200°C
- Salt Spray : 500 hours

| Connector dimension |                 |
|---------------------|-----------------|
| Dim                 | Nominal         |
| A                   | 44.5±0.3        |
| B                   | 30.15+0.1/-0.15 |
| R                   | 32.5Max         |
| S                   | 41.3±0.4        |
| W                   | 2.2+0.9/-0.1    |
| VV THREAD           | M25x1-6g        |

SOURIAU shall not be liable for any non-conformity or damage due to a use of the Products which does not comply with the Specifications issued by either of the Parties or by a third party (professional recommendation, technical notice.)

|         |                             |
|---------|-----------------------------|
| Country | Jurisdiction & Control List |
| FR      | Not Listed                  |

**PN: 8D717S06SBL**

|              |            |                          |                         |
|--------------|------------|--------------------------|-------------------------|
| A            | 30-09-2016 | First Release            |                         |
| ISS          | DATE       | Latest modification - by | MOD N°                  |
| Designed By: |            | Date:                    | <b>CUSTOMER DRAWING</b> |

|              |                                      |                                |                               |
|--------------|--------------------------------------|--------------------------------|-------------------------------|
| <b>TITLE</b> | Stainless Steel Receptacle 8D series |                                |                               |
| SCALE        | NA                                   | General linear Tolerances: ±-- | NPRDS / PROJECT<br><b>859</b> |

|                |                        |   |
|----------------|------------------------|---|
| <b>SOURIAU</b> | <b>WWW.SOURIAU.COM</b> | This document is the property of SOURIAU it must not be reproduced or communicated without permission |
|----------------|------------------------|---|

|                     |   |              |
|---------------------|---|--------------|
| FORMAT<br><b>A3</b> | <b>SOURIAU DRG N°<br/>8D717S06SBL-C</b> | SHEET<br>1/2 |
|---------------------|---|--------------|

|                |                        |   |   |    |   |    |   |   |   |                                    |
|----------------|------------------------|---|---|----|---|----|---|---|---|------------------------------------|
| BASIC SERIES:  | 8D                     | 7 | - | 17 | S | 06 | S | B | L | Delivered W/O Contacts             |
| SHELL TYPE :   | Jam nut Receptacle     |   |   |    |   |    |   |   |   | ORIENTATION : B                    |
| CONTACT TYPE : | Standard Crimp Contact |   |   |    |   |    |   |   |   | CONTACT TYPE : SOCKET(500 Matings) |
| SHELL SIZE :   | 17                     |   |   |    |   |    |   |   |   | CONTACT LAYOUT : 17-06             |
| PLATING :      | S = Nickel             |   |   |    |   |    |   |   |   |                                    |

Contact Layout

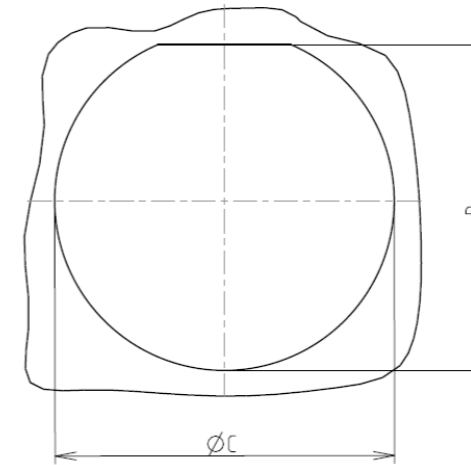


| Contacts<br>(Insert arrangement 17-6) |             |             |
|---------------------------------------|-------------|-------------|
| Contact position ID                   | Location    |             |
|                                       | X-axis (mm) | Y-axis (mm) |
| A                                     | +121 (3.07) | +209 (5.31) |
| B                                     | +241 (6.12) | +000 (0.00) |
| C                                     | +000 (0.00) | -241 (6.12) |
| D                                     | -241 (6.12) | +000 (0.00) |
| E                                     | -121 (3.07) | +209 (5.31) |
| F                                     | +000 (0.00) | +000 (0.00) |

| Shell size | Arrangement no. | Number of contacts | Size contacts | Service rating | Contact location | Supersedes |
|------------|-----------------|--------------------|---------------|----------------|------------------|------------|
| 17         | -6              | 6                  | 12            | I              | All              | MS20053-6  |

Panel cutout

JAM NUT RECEPTACLE (TYPE 7)



| Dim | Nominal       |
|-----|---------------|
| B   | 30.73+0/-0.25 |
| ØC  | 32.01+0.25/-0 |

SOURIAU shall not be liable for any non-conformity or damage due to a use of the Products which does not comply with the Specifications issued by either of the Parties or by a third party (professional recommendation, technical notice.)

| Country | Jurisdiction & Control List |
|---------|-----------------------------|
| FR      | Not Listed                  |

PN: 8D717S06SBL

|                     |   |                                |   |
|---------------------|---|--------------------------------|---|
| A                   | 30-09-2016                                  | First Release                  |   |
| ISS                 | DATE  | Latest modification - by       | MOD N°  |
| Designed By:        |   | Date:                          | <b>CUSTOMER DRAWING</b>   |
| <b>TITLE</b>        | <b>Stainless Steel Receptacle 8D series</b> |                                |   |
| SCALE               |   | General linear Tolerances: ±-- | NPRDS / PROJECT<br><b>859</b>   |
| <b>SOURIAU</b>      | <b>WWW.SOURIAU.COM</b>                      |                                | This document is the property of SOURIAU it must not be reproduced or communicated without permission |
| FORMAT<br><b>A3</b> | <b>SOURIAU DRG N° 8D717S06SBL-C</b>         |                                | SHEET<br>2/2  |