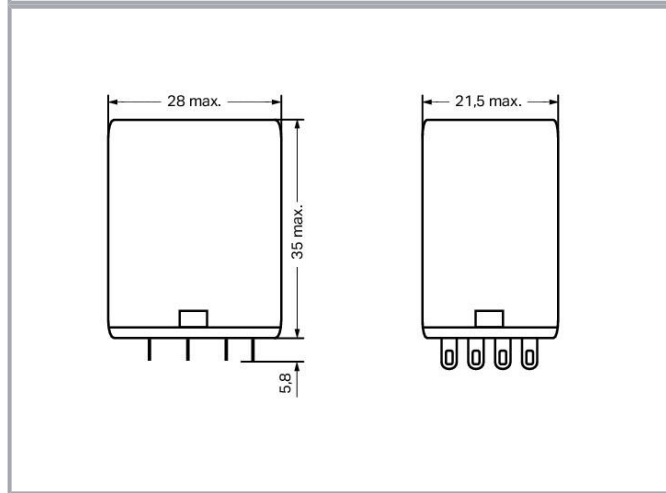
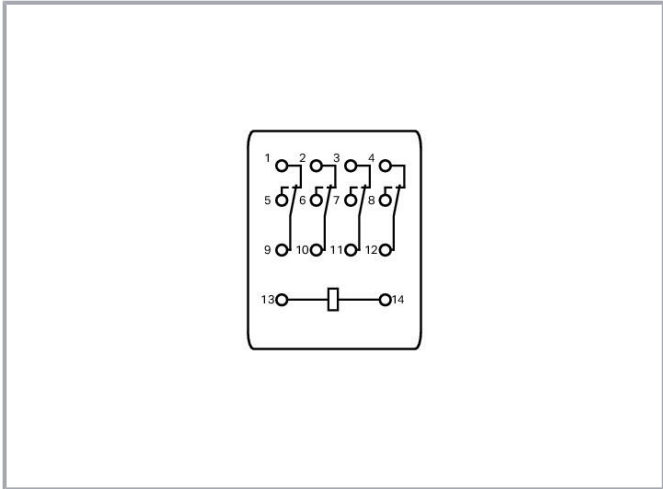


**Data sheet | Item number: 858-151**

Basic relay; Nominal input voltage: 230 VAC; 4 changeover contacts; Limiting continuous current: 5 A; with manual operation; Module width: 22 mm; Module height: 25 mm



[www.wago.com/858-151](http://www.wago.com/858-151)

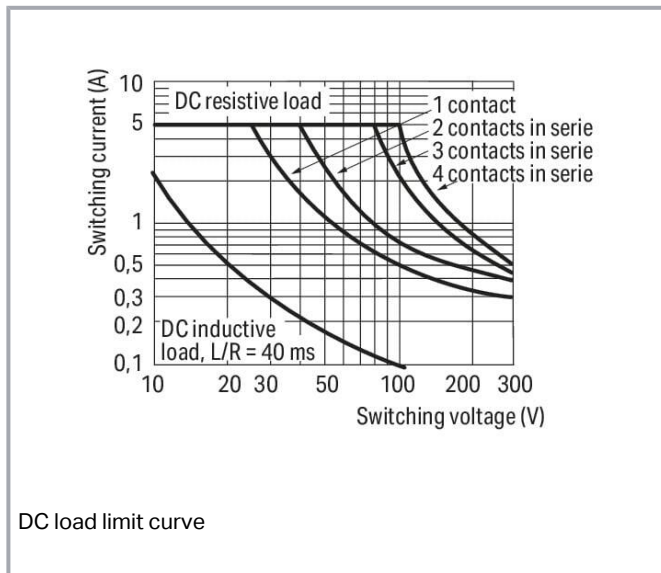


Similar to picture

Subject to changes. Please also observe the further product documentation!

WAGO GmbH & Co. KG  
Hansastr. 27  
32423 Minden  
Phone: +49571 887-0 | Fax: +49571 887-169  
Email: [info.de@wago.com](mailto:info.de@wago.com) | Web: [www.wago.com](http://www.wago.com)

Do you have any questions about our products?  
We are always happy to take your call at +49 (571) 887-44222.



## Data

### Technical data

### Control Circuit

Nominal input voltage  $U_N$  AC 230 V

Nominal input current at  $U_N$  9 mA

### Load circuit

Number of changeover/switchover contacts 4

Contact material (relay) AgCe

Limiting continuous current 5 A

Inrush current (resistive) max. (AC) 15 A / 4 s

Switching voltage (max.) AC 250 V

Switching power (resistive) max. AC 1250 VA; DC (see load limit curve)

Recommended minimum load 12 V / 100 mA

Pull-in time (typ.) 25 ms

Drop-out time (typ.) 25 ms

Bounce time (typ.) 4 ms

Electrical life (NO; resistive load; 23 °C)  $100 \times 10^3$  switching operations

Mechanical life  $20 \times 10^6$  switching operations

Subject to changes. Please also observe the further product documentation!

WAGO GmbH & Co. KG

Hansastr. 27

32423 Minden

Phone: +49571 887-0 | Fax: +49571 887-169

Email: [info.de@wago.com](mailto:info.de@wago.com) | Web: [www.wago.com](http://www.wago.com)

Do you have any questions about our products?

We are always happy to take your call at +49 (571) 887-44222.



## Signaling

Status indicator	Red LED Mechanical
------------------	-----------------------

## Safety and protection

Dielectric strength (control/load circuit) (AC, 1 min)	1.5 kVrms
Dielectric strength (open contact) (AC, 1 min)	1 kVrms
Dielectric strength (load/load circuit) (AC, 1 min)	1.5 kVrms
Protection type	IP20

## Physical data

Width	21.5 mm / 0.846 inches
Height from the surface	35 mm / 1.378 inches
Depth	28 mm / 1.102 inches

## Mechanical data

Mounting type	Pluggable module
---------------	------------------

## Material Data

Weight	37.3 g
--------	--------

## Environmental requirements

Ambient temperature (operation at $U_N$ )	-25 ... +70 °C
Ambient temperature (storage)	-40 ... +80 °C

## Standards and specifications

Standards/specifications	EN 61810-1
--------------------------	------------

## Commercial data

Product Group	6 (INTERFACE ELECTRONIC)
eCl@ss 10.0	27-37-16-01
eCl@ss 9.0	27-37-16-01
ETIM 8.0	EC001437
ETIM 7.0	EC001437
PU (SPU)	3 pcs

Subject to changes. Please also observe the further product documentation!


Packaging type	box
Country of origin	CN
GTIN	4055143532037
Customs tariff number	85364900990

## Environmental Product Compliance

RoHS Compliance Status	Compliant, No Exemption
------------------------	-------------------------

## Approvals / Certificates

### General approvals

Logo	Approval	Additional Approval Text	Certificate name
	EAC Brjansker Zertifizierungsstelle	TP TC 004/2011	EAC RU C-DE.AM02.B.00122 /19

## Optional accessories

### Sockets

Socket without relay		
	Item no.: 858-100 Relay socket; 4 changeover contacts	<a href="http://www.wago.com/858-100">www.wago.com/858-100</a>

## Downloads

### Documentation

#### Bid Text

858-151 X81 - Datei	2019 Feb 19	xml 3.9 kB	Download
858-151 doc - Datei	2017 Nov 29	doc 27.1 kB	Download

#### Additional Information

Disposal and Recycling Electrical and electronic equipment, Batteries, Packaging	V 1.1.0 2022 Aug 18	pdf 2.2 MB	Download
---	------------------------	---------------	----------

Subject to changes. Please also observe the further product documentation!



## CAD/CAE-Data

### CAE data

EPLAN Data Portal 858-151	<a href="#">URL</a>	<a href="#">Download</a>
WSCAD Universe 858-151	<a href="#">URL</a>	<a href="#">Download</a>

## Environmental Product Compliance

### Compliance Search

Environmental Product Compliance 858-151	<a href="#">URL</a>	<a href="#">Download</a>
--	---------------------	--------------------------

Basic relay; Nominal input voltage: 230 VAC; 4 changeover contacts; Limiting continuous current: 5 A; with manual operation; Module width: 22 mm; Module height: 25 mm

## Installation Notes

Subject to changes. Please also observe the further product documentation!