

4

3

2

1

THIS DRAWING IS UNPUBLISHED. RELEASED FOR PUBLICATION 20  
 © COPYRIGHT 20 BY TYCO ELECTRONICS CORPORATION. ALL RIGHTS RESERVED.

| LOC | DIST | REVISIONS   |                       |           |       |
|-----|------|-------------|-----------------------|-----------|-------|
| P   | LTR  | DESCRIPTION | DATE                  | DWN       | APVD  |
| -   | -    | A           | NEW RELEASE           | 22OCT2008 | CR DO |
|     |      | B           | REV PER ECO-20-017781 | 23DEC2020 | OL SH |
|     |      |             |                       |           |       |

D

D

C

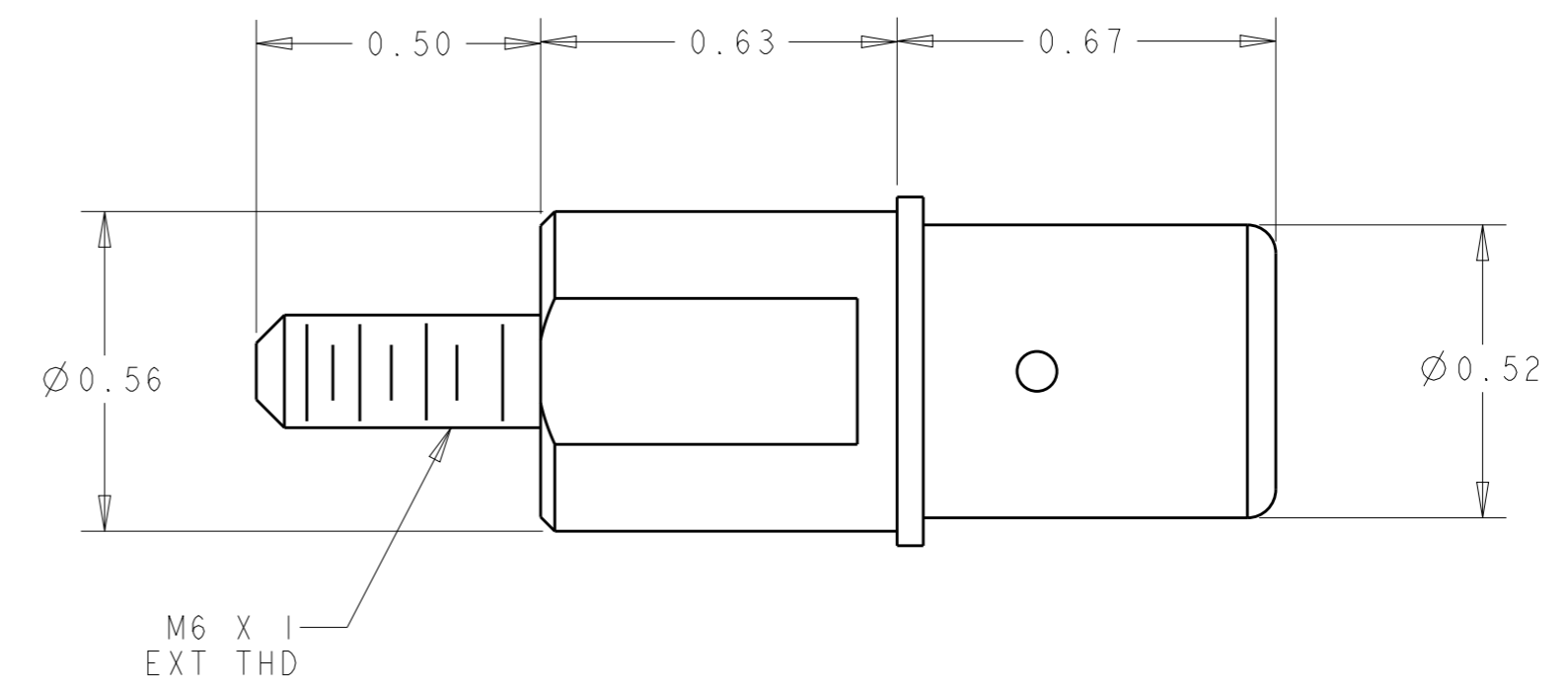
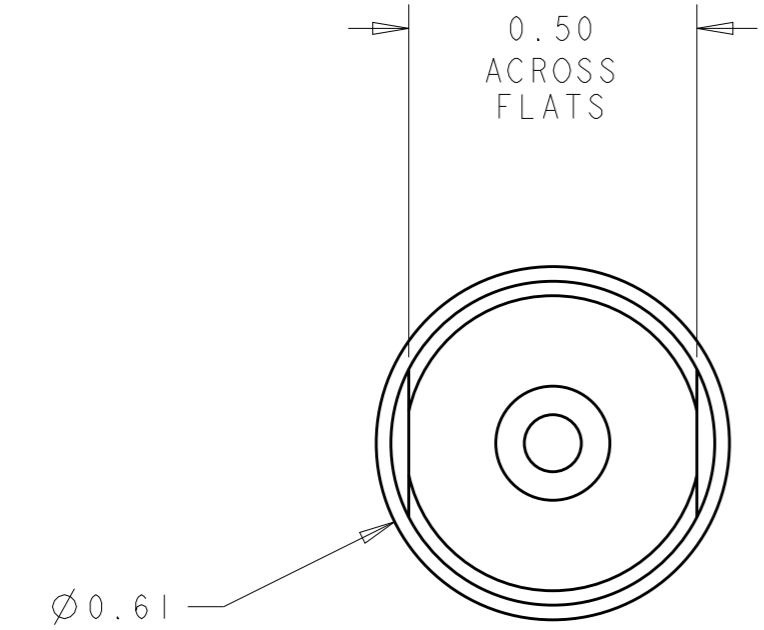
C

B

B

A

A



- PART NUMBER CHANGES AND/OR DESIGN CHANGES AFFECTING INTERCHANGEABILITY REQUIRE PRIOR TYCO ELECTRONICS APPROVAL AND AUTHORIZATION BY REVISION TO THIS DRAWING
- ITEMS PROVIDED TO THIS SPECIFICATION TO BE PERMANENTLY IDENTIFIED PER THE FOLLOWING IDENTIFIER LABEL

TYCO ELECTRONICS P/N: XXXXXXXX-X  
 DATE CODE (e.g. 0106): YEAR WEEK

|             |           |
|-------------|-----------|
| AS SHOWN    | 6648430-1 |
| DESCRIPTION | PART NO.  |

3 MATERIALS:  
 CONTACTS: COPPER ALLOY  
 CROWN BAND: COPPER ALLOY

4 FINISHES:  
 CONTACTS: SILVER PLATE: .000200/.000300 THK OVER  
 NICKEL PLATE: .000050 MIN THK  
 CROWN BAND: GOLD: .000040 MIN THK OVER  
 NICKEL PLATE: .000040 THK

|   |  |   |   |  |       |
|---|--|---|---|--|-------|
| <small>THIS DRAWING IS A CONTROLLED DOCUMENT FOR TYCO ELECTRONICS CORPORATION<br/>         IT IS SUBJECT TO CHANGE AND THE CONTROLLING ENGINEERING ORGANIZATION<br/>         SHOULD BE CONTACTED FOR THE LATEST REVISION.</small> |  | DWN C. ROHLER 22OCT2008<br>CHK D. ORRIS 22OCT2008<br>APVD M. PERCHERKE 22OCT2008                                      |   | Tyco Electronics<br>Harrisburg, PA 17105-3608                            |       |
| DIMENSIONS: INCHES<br>  |  | TOLERANCES UNLESS OTHERWISE SPECIFIED:<br>0 PLC ±.<br>1 PLC ±.<br>2 PLC ±.01<br>3 PLC ±.005<br>4 PLC ±.<br>ANGLES ±.5 |   | NAME: CONTACT, SOCKET, SIZE #0<br>M6 X 1 EXT THD, SINGLE CROWN<br>DRAWER |       |
| MATERIAL: 3   |  | FINISH: 4   |   | PRODUCT SPEC: -<br>APPLICATION SPEC: -<br>WEIGHT: -                      |       |
| CUSTOMER DRAWING  |  |   | SIZE: A3<br>CAGE CODE: 00779<br>DRAWING NO: 6648430 | RESTRICTED TO:   |       |
| SCALE: 3:1  |  |   | SHEET 1 OF 1  |  | REV B |