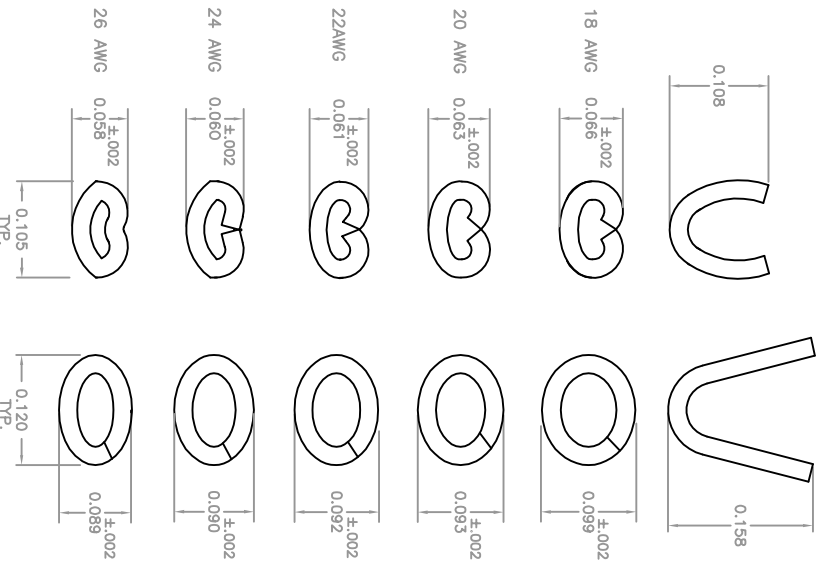
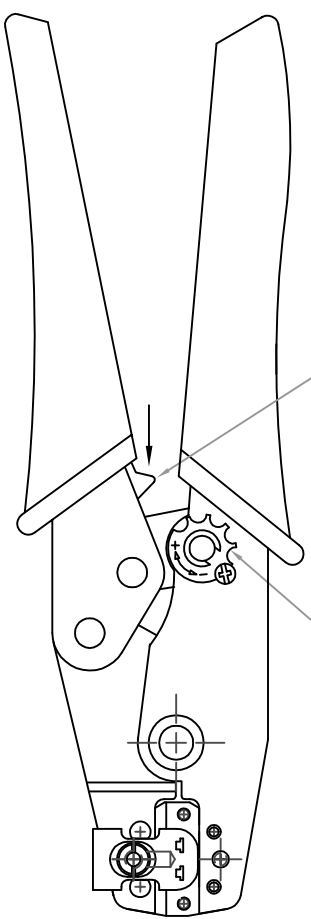


CONDUCTOR CRIMP FORM

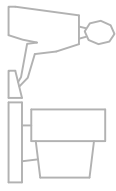
INSULATOR CRIMP FORM



TO OPEN PARTIALLY CLOSED TOOL  
PUSH THIS LATCH IN THE DIRECTION  
OF THE ARROW.



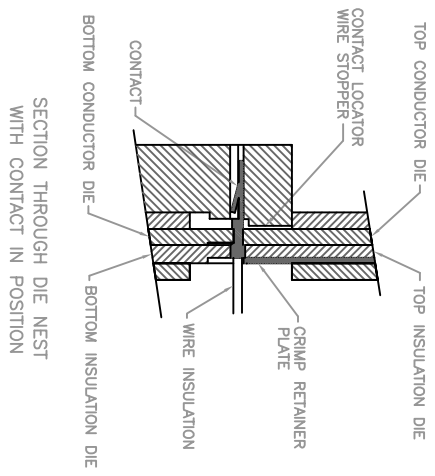
THIS IS A C.A.D. GENERATED DRAWING  
DO NOT MAKE MANUAL REVISIONS TO MASTER.



WIRE AWG	CRIMP STRENGTH
18 AWG	40.0 LBS
20 AWG	25.0 LBS
22 AWG	15.0 LBS
24 AWG	10.0 LBS
26 AWG	5.0 LBS
28 AWG	3.0 LBS

NOTES:

- 1- THIS HAND TOOL IS DESIGNED FOR CRIMPING 18 TO 28 AWG WIRES TO EDAC CONTACT P/N 516-290-590.
- 2- RISK OF ELECTRIC SHOCK- DO NOT USE THIS ON LIVE WIRE.
- 3- CRIMPING INSTRUCTIONS:
  - OPEN THE TOOL, PLACE THE CONTACT INTO THE CORRECT DIE NEST.
  - PARTIALLY CLOSE THE TOOL UNTIL THE CONTACT IS HELD IN PLACE. INSERT THE WIRE INTO THE CONTACT.
  - CLOSE THE TOOL UNTIL THE RATCHET RELEASES. REMOVE THE CRIMPED CONTACT.
- 4- ADJUSTMENT OF CRIMP FORCE (WHEN NECESSARY):
  - LOOSEN THE SCREW
  - ADJUST THE STAR-WHEEL BY TURNING FROM (-) TO(+).
  - CHECK THE PRELOAD AND THE CRIMP FORCE.



ISSUE NUMBER	
ORIGINAL	①
CONDUCTOR & INSULATOR CRIMP FORMS ILLUSTRATION REMOVED. INSTRUCTIONS IN NOTE 4, TABLE DATA REVISED. F. JAWDI FEB. 19,2002	②
UPDATED TABLE DATA	③
UPDATED SHEET 2	
K.L.I	AUG. 27,2020

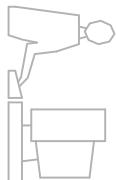
ABOVE CRIMP DIMENSION ARE FOR REFERENCE ONLY

TOOL PART NUMBER: 516-280-201

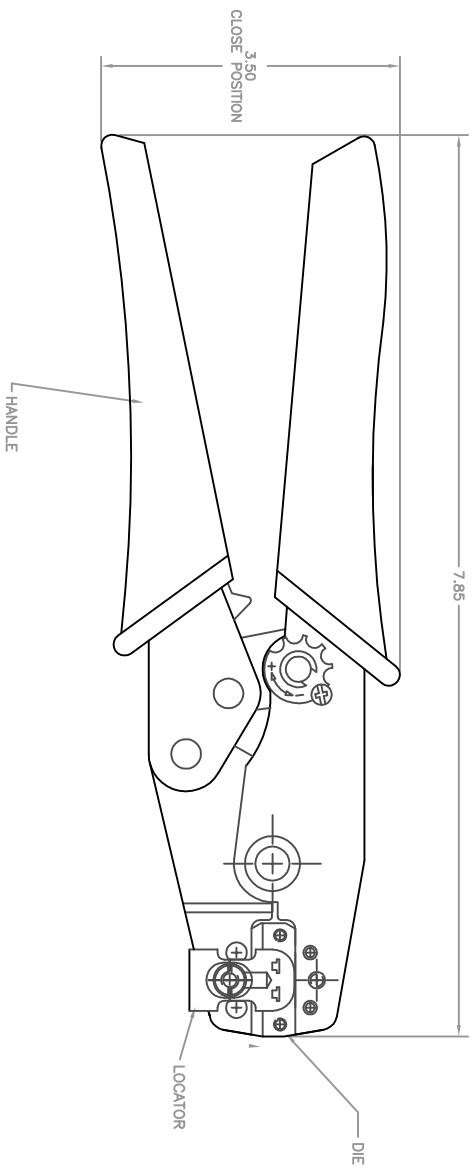
## 516 SERIES HAND CRIMP TOOL INSTRUCTIONS

<p>EDAC INC TORONTO, ONTARIO CANADA</p> <p>YOUR CONNECTION TO QUALITY &amp; SERVICE</p>		THESE DRAWINGS AND SPECIFICATIONS ARE THE PROPERTY OF EDAC INC. AND SHALL NOT BE REPRODUCED, OR COPIED OR USED AS THE BASIS FOR THE MANUFACTURE OR SALE OF APPARATUS WITHOUT WRITTEN PERMISSION.	
		ACAD REFERENCE NO. 51628211	ISSUE 3
DRAWN: F. BRIONES		DATE: DEC.8/97	
CHECKED:		DATE:	
SCALE: N.T.S.	SHEET 1 OF 2		
DRAWING NUMBER 516-280-201			

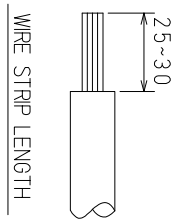
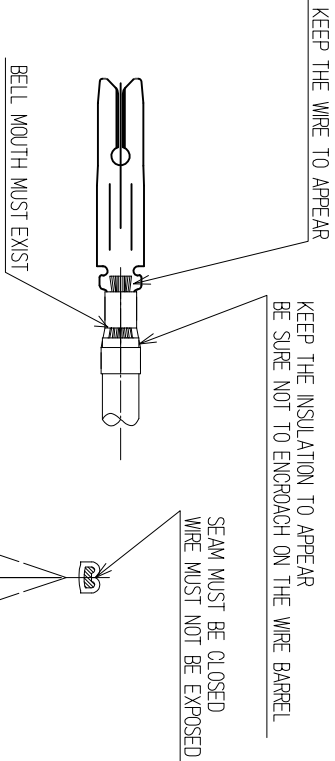
THIS IS A C.A.D. GENERATED DRAWING  
DO NOT MAKE MANUAL REVISIONS TO MASTER.



ISSUE NUMBER	①
ORIGINAL	
CONDUCTOR & INSULATOR	②
CRIMP FORMS ILLUSTRATION	REMOVED.
INSTRUCTIONS IN NOTE 4,	TABLE DATA REVISED.
F. JAWDI	FEB. 19,2002
UPDATED TABLE DATA	③
UPDATED SHEET 2	
KLI	AUG. 27,2020



TOOL ASM	LOCATOR
516-280-201	516-280-206



## 516 SERIES HAND CRIMP TOOL INSTRUCTIONS

ACAD REFERENCE NO. 51628211	
DRAWN: F.BRIONES	DATE: DEC.8/97
CHECKED:	DATE:
SCALE: N.T.S.	SHEET 2 OF 2
DRAWING NUMBER	ISSUE
516-280-201	3

EDAC INC  
TORONTO, ONTARIO  
CANADA  
YOUR CONNECTION TO QUALITY & SERVICE

THESE DRAWINGS AND SPECIFICATIONS ARE THE PROPERTY OF EDAC INC. AND SHALL NOT BE REPRODUCED, OR COPIED OR USED AS THE BASIS FOR THE MANUFACTURE OR SALE OF APPARATUS WITHOUT WRITTEN PERMISSION.