

TLL. Adjustable hook clamps

Steel



MATERIAL

Zinc-plated steel.

SPECIAL EXECUTIONS ON REQUEST

Hook clamps in AISI 304 stainless steel.



TLP. Adjustable hook clamps

Steel

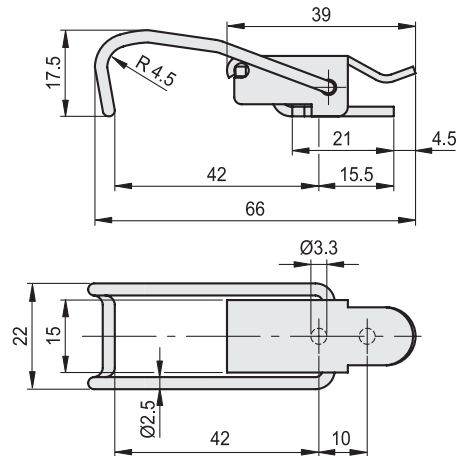
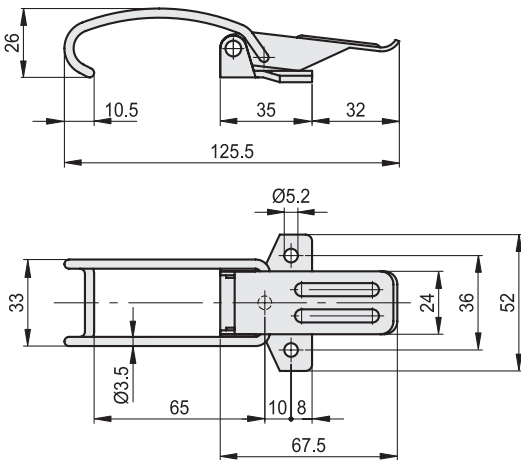


MATERIAL

Zinc-plated steel.

SPECIAL EXECUTIONS ON REQUEST

Hook clamps in AISI 304 stainless steel.



METRIC

Code	Description	Max. working load [N]	Load at breakage [N]	⚖️
420141	TLL.Z-24/125	200	3500	77

METRIC

Code	Description	Max. working load [N]	Load at breakage [N]	⚖️
420181	TLP.Z-22/67	400	700	23

- 1
- 2
- 3
- 4
- 5
- 6
- 7
- 8
- 9
- 10
- 11
- 12
- 13
- 14
- 15
- 16
- 17
- 18

Latches