

Data sheet | Item number: 286-508

Relay module; Nominal input voltage: 230 VAC; 1 changeover contact;
Limiting continuous current: 7 A; Red status indicator; Module width: 15 mm;
gray

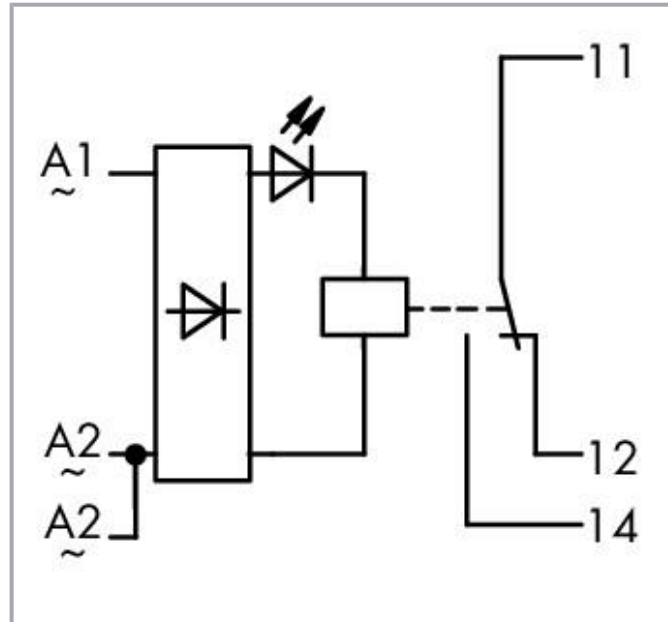


www.wago.com/286-508



i Picture differs from the item.

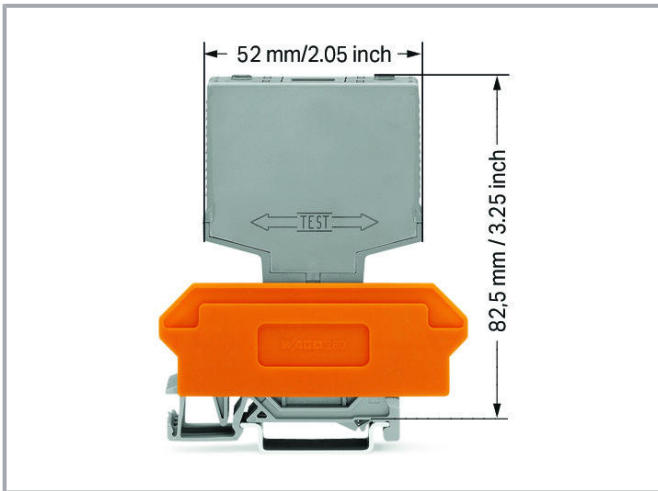
Color: ■



Subject to changes. Please also observe the further product documentation!

WAGO Kontakttechnik GmbH & Co. KG
Hansastr. 27
32423 Minden
Phone: +49571 887-0 | Fax: +49571 887-169
Email: info.de@wago.com | Web: www.wago.com

Do you have any questions about our products?
We are always happy to take your call at +49 (571) 887-44222.



Data

Technical data

Number of changeover/switchover contacts	1
Contact material (relay)	AgNi 0.15
Limiting continuous current	7 A
Switching voltage (max.)	AC 250 V
Switching power (resistive) (max.)	AC 1750 VA
Pull-in time (typ.)	8 ms
Drop-out time (typ.)	6 ms
Bounce time (typ.)	4 ms
Electrical life (NO; resistive load; 23 °C)	100 x 10 ³ switching operations
Mechanical life	30 x 10 ⁶ switching operations
Nominal input voltage U _N	AC 230 V
Input voltage range	±10 %
Nominal input current at U _N	3.6 mA
Rated voltage	250 V
Rated surge voltage	4 kV
Pollution degree	2
Dielectric strength, control/load circuit (AC, 1 min)	4 kVrms
Dielectric strength, open contact (AC, 1 min)	1 kVrms
Protection type	IP20
Status indicator	Red LED

Subject to changes. Please also observe the further product documentation!



Physical data

Width	15 mm / 0.591 inch
Height from upper-edge of DIN-rail	82.5 mm / 3.248 inch
Depth	52 mm / 2.047 inch

Mechanical data

Mounting type	Pluggable module for receptacle terminal blocks
---------------	---

Material data

Color	gray
Fire load	0.324 MJ
Weight	30.6 g

Environmental requirements

Surrounding air temperature (operation at U_N)	-25 ... 40 °C
Surrounding air temperature (storage)	-25 ... 70 °C
Processing temperature	-25 ... +50 °C
Relative humidity	5 ... 75 % (no condensation permissible)
Operating altitude (max.)	2000 m

Standards and specifications

Standards/Specifications	EN 60664-1
--------------------------	------------

Commercial data

Product Group	6 (Interface Electronics)
PU (SPU)	15 (1) Stück
Packaging type	box
Country of origin	DE
GTIN	4045454560058
Customs tariff number	85364900990

Optional accessories

Terminal blocks

Terminal block for pluggable modules

Subject to changes. Please also observe the further product documentation!



Item no.: 280-619

Terminal block for pluggable modules; 6-pole; with 2-conductor terminal blocks; with orange separator; for DIN-rail 35 x 15 and 35 x 7.5; 2.5 mm²; CAGE CLAMP®; 2,50 mm²; gray

www.wago.com/280-619



Item no.: 280-609

Terminal block for pluggable modules; 6-pole; with 4-conductor terminal blocks; with orange separator; for DIN-rail 35 x 15 and 35 x 7.5; 2.5 mm²; CAGE CLAMP®; 2,50 mm²; gray

www.wago.com/280-609



Item no.: 280-763

Terminal block for pluggable modules; 6-pole; with 4-conductor terminal blocks; with marker carrier; with orange separator; for DIN-rail 35 x 15 and 35 x 7.5; 2.5 mm²; CAGE CLAMP®; 2,50 mm²; gray

www.wago.com/280-763

Marking accessories

Marker



Item no.: 209-701

WSB marking card; as card; not stretchable; plain; snap-on type; white

www.wago.com/209-701

Downloads

Documentation

Bid Text

286-508 X81 - Datei	Feb 19, 2019	xml 3.8 kB	Download
286-508 doc - Datei	Mar 22, 2018	doc 26.6 kB	Download

Instruction Leaflet

pdf
1.3 MB

Download

Additional Information

Disposal; Electrical and electronic equipment, Packaging	V 1.0.0	pdf 265.8 kB	Download
--	---------	-----------------	----------

CAD/CAE-Data

CAD data

2D/3D Models 286-508	URL	Download
----------------------	-----	----------

CAE data

WSCAD Universe 286-508	URL	Download
------------------------	-----	----------

Subject to changes. Please also observe the further product documentation!

Environmental Product Compliance

Compliance Search

Environmental Product Compliance 286-508

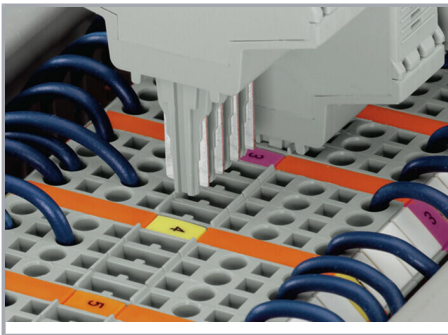
[URL](#)

[Download](#)

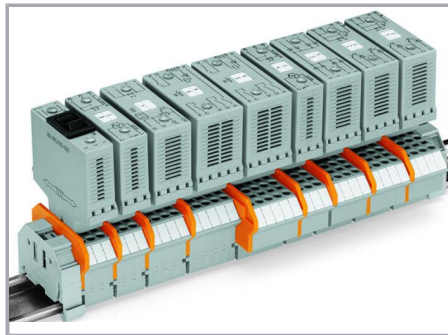
Relay module; Nominal input voltage: 230 VAC; 1 changeover contact; Limiting continuous current: 7 A; Red status indicator; Module width: 15 mm; gray

Installation Notes

Assembly



Coding ensures correct polarity.



Pluggable electronic modules on 2- or 4-conductor carrier terminal blocks

Marking



Marking via WMB Multi Marking System.

Testing

Subject to changes. Please also observe the further product documentation!



Function testing via touch-proof test slots

Subject to changes. Please also observe the further product documentation!