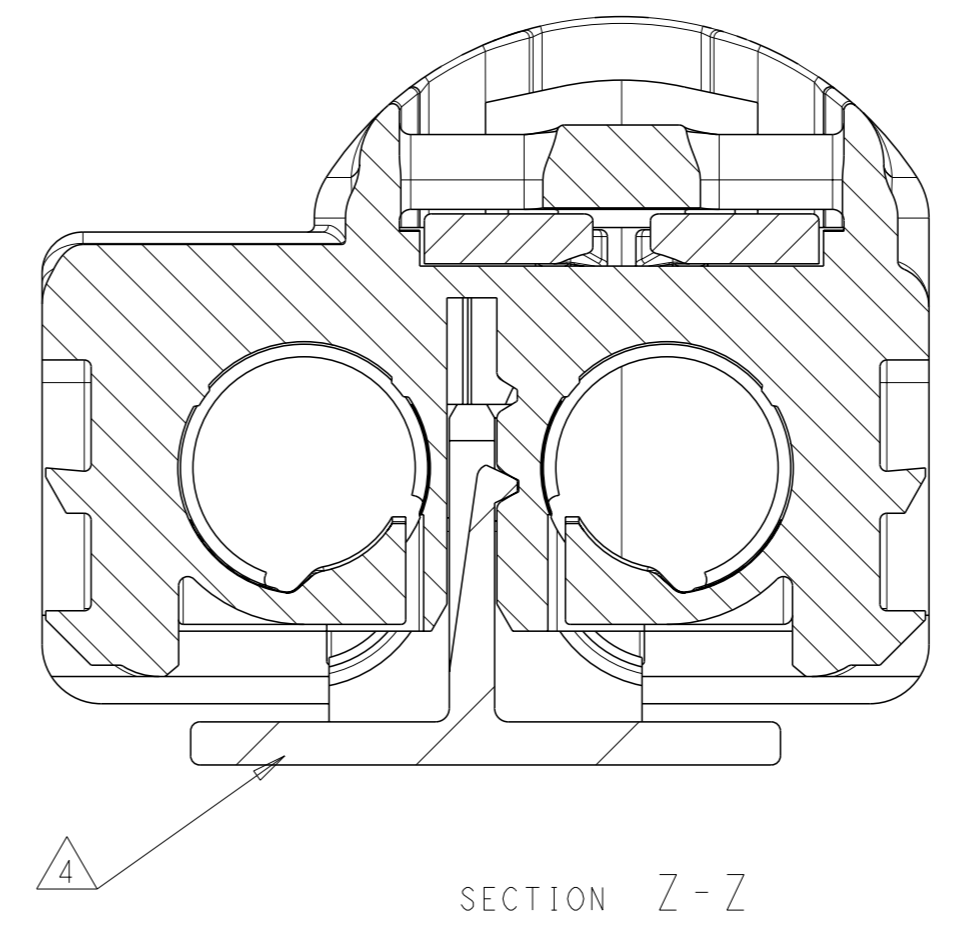
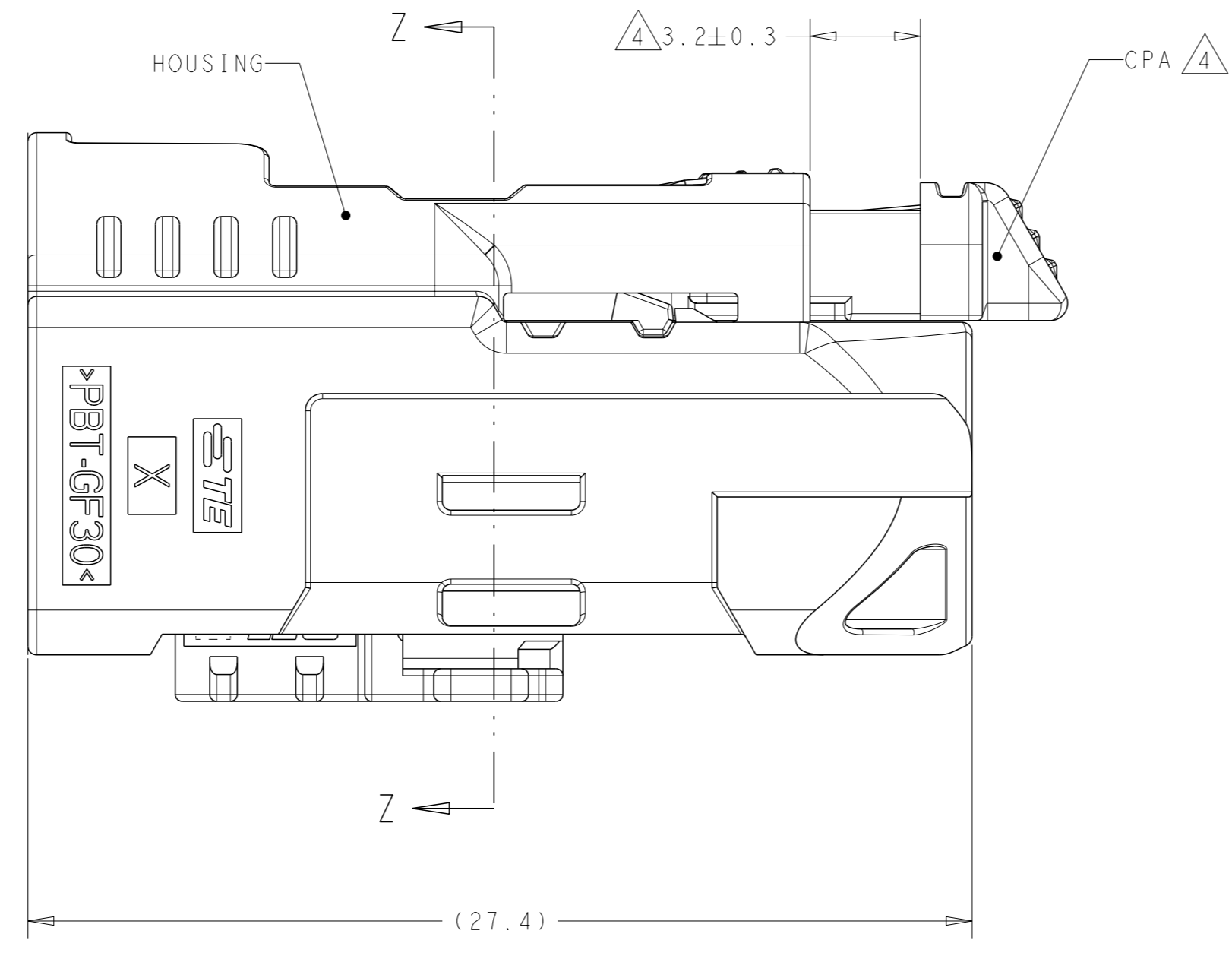
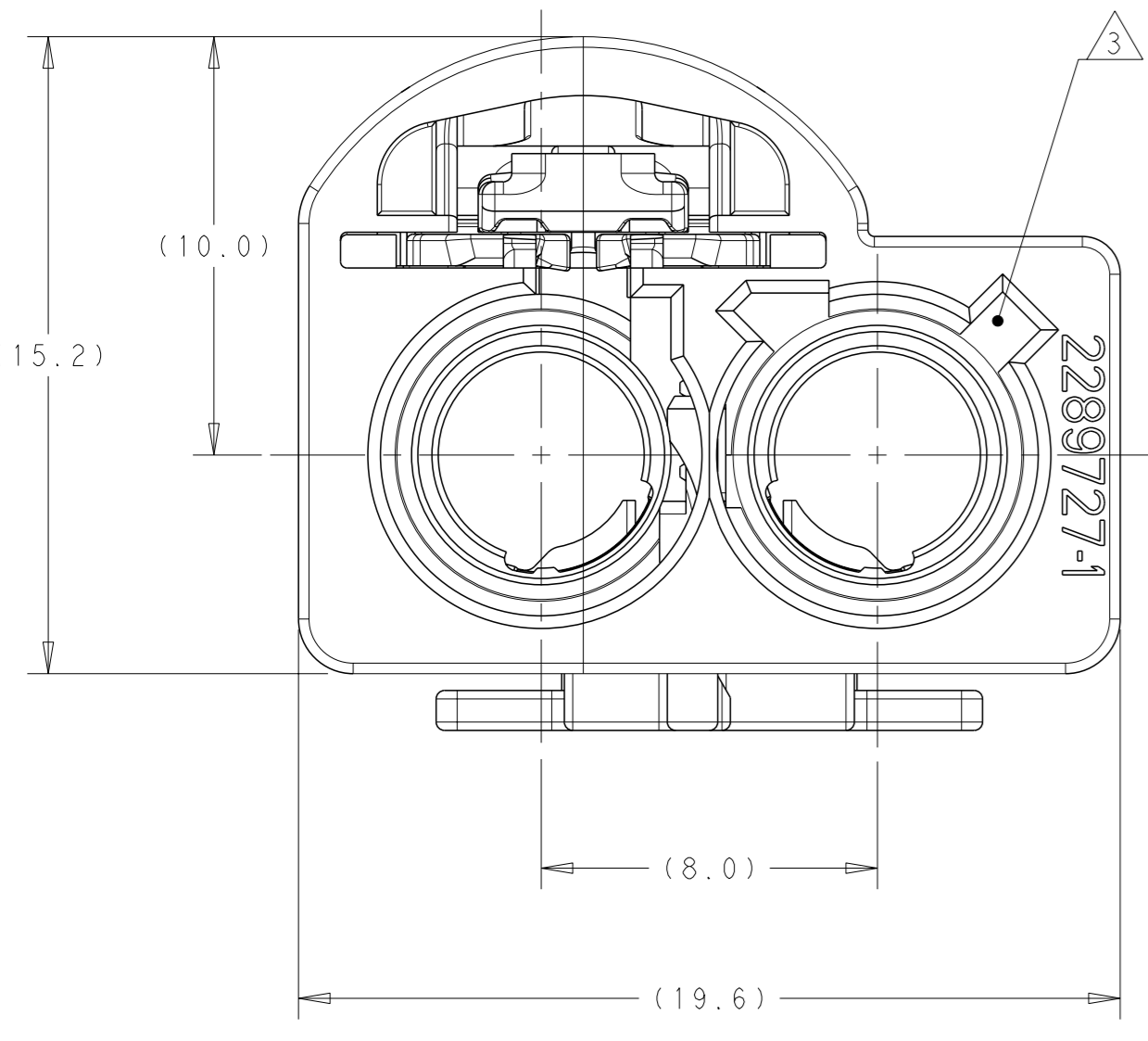
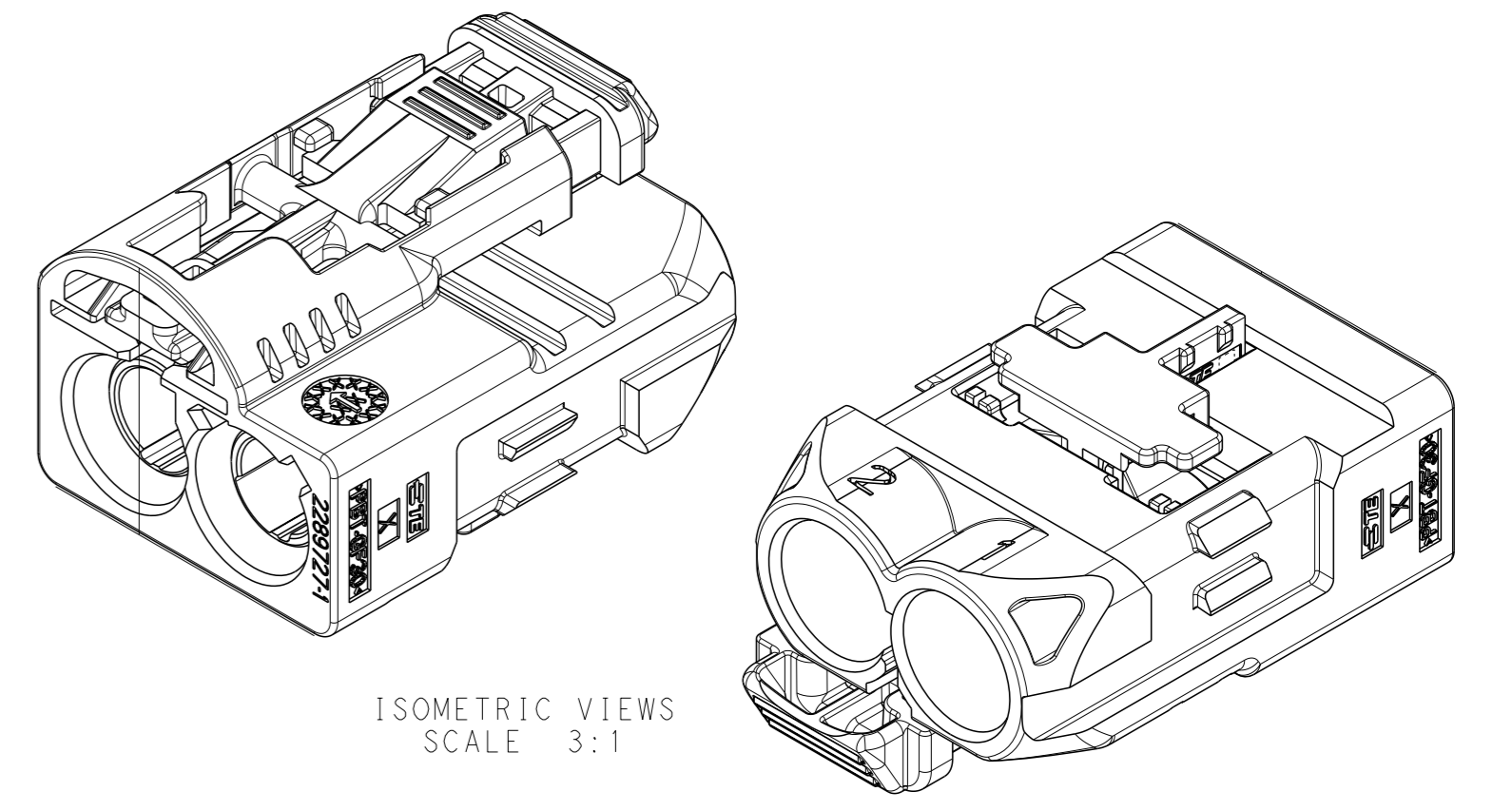
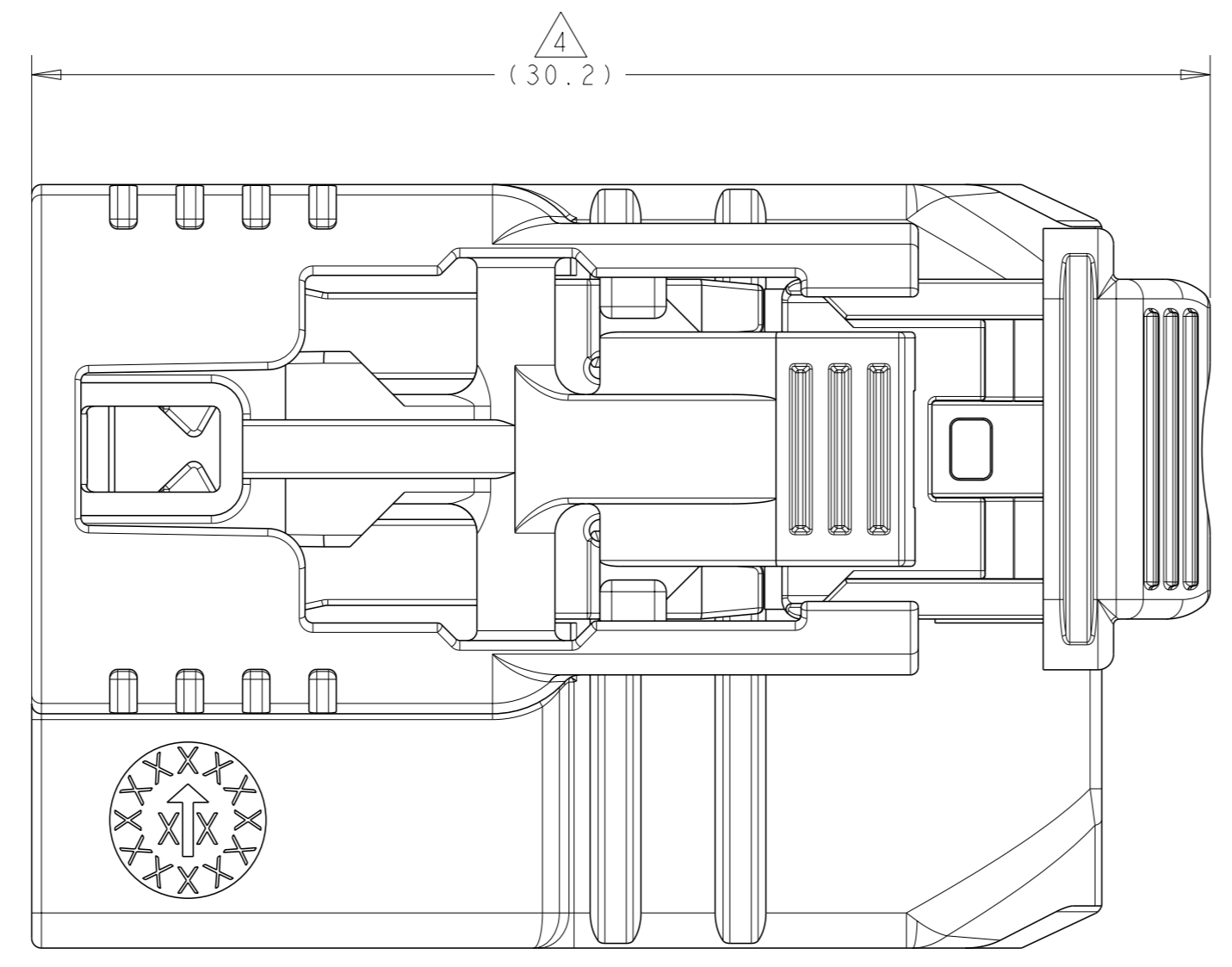
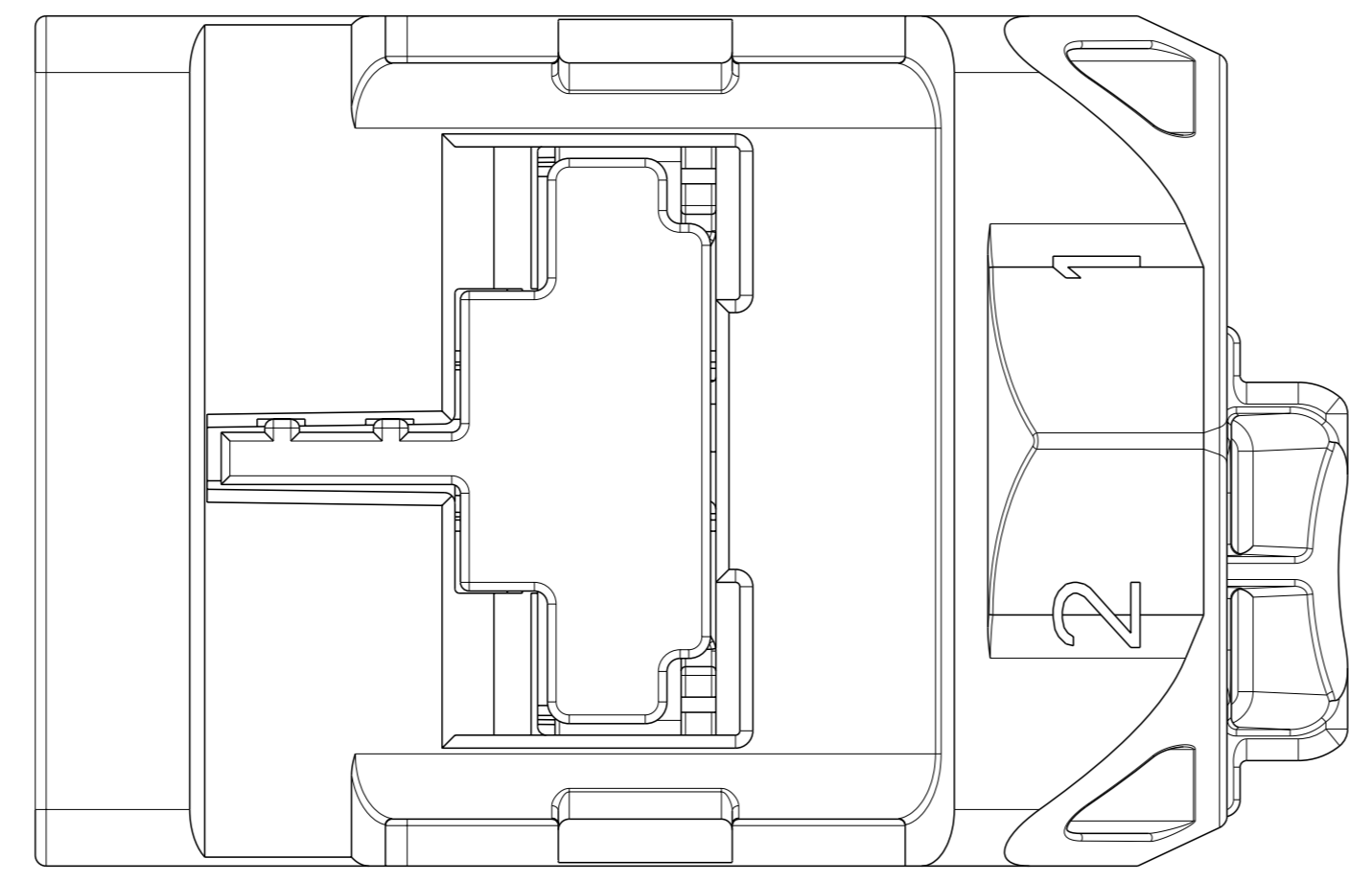


REVISIONS				
P	LYR	DESCRIPTION	DATE	OWN APVD
A		RELEASED PER ECO-19-002122	11FEB2019	NLE JWH
B		REVISED PER ECO-19-017845	03DEC2019	JAB NE
B1		REVISED PER ECN-22-163114	12JUL2022	SR AC



2289731-1 AS SHOWN



OBSOLETE	-	-	-	-	4-2289731-0
OBSOLETE	-	-	-	-	3-2289731-3
OBSOLETE	-	-	-	-	3-2289731-2
OBSOLETE	-	-	-	-	3-2289731-1
OBSOLETE	-	-	-	-	3-2289731-0
OBSOLETE	-	-	-	-	2-2289731-9
OBSOLETE	-	-	-	-	2-2289731-8
OBSOLETE	-	-	-	-	2-2289731-7
OBSOLETE	-	-	-	-	2-2289731-6
OBSOLETE	-	-	-	-	2-2289731-5
OBSOLETE	-	-	-	-	2-2289731-4
OBSOLETE	-	-	-	-	2-2289731-3
OBSOLETE	-	-	-	-	2-2289731-2
OBSOLETE	-	-	-	-	2-2289731-1

Z	PER DETAIL Z	WATER BLUE	2-2289731-0
N	PER DETAIL N	PASTEL GREEN	1-2289731-3
M	PER DETAIL M	PASTEL ORANGE	1-2289731-2
L	PER DETAIL L	CARMINE RED	1-2289731-1
K	PER DETAIL K	CURRY	1-2289731-0
I	PER DETAIL I	BEIGE	2289731-9
H	PER DETAIL H	HEATHER VIOLET	2289731-8
G	PER DETAIL G	BLUE GREY	2289731-7
F	PER DETAIL F	NUT BROWN	2289731-6
E	PER DETAIL E	LEAF GREEN	2289731-5
D	PER DETAIL D	CLARET VIOLET	2289731-4
C	PER DETAIL C	SIGNAL BLUE	2289731-3
B	PER DETAIL B	CREAM	2289731-2
A	PER DETAIL A	JET BLACK	2289731-1

- 1 HOUSING - POLYESTER PBT. COLOR: SEE TABLE, GLASS FILLED  
CPA - POLYESTER PBT, COLOR TRAFFIC RED, GLASS FILLED
- 2 CABLE ASSEMBLY: SEE TABLE.
- 3 FEMALE INTERFACE PER ISO-20860-1, ISO-20860-2, SAE/USCAR-17, SAE/USCAR-18.
- 4 SECONDARY LOCK AND CPA IN PRESET POSITION. IF SECONDARY LOCK IS IN LOCK POSITION, PLEASE REVIEW 408-160028 FOR INSTRUCTONS TO RESET SECONDARY LOCK TO PRESET POSITION.

THIS DRAWING IS A CONTROLLED DOCUMENT. OWN: D. J. HARDY 14APR2015  
 CHK: D. J. LANE 14APR2015  
 APVD: D. J. LANE 14APR2015

TE Connectivity

NAME: FEMALE KIT, CPA, 2 POSITION, FAKRA AUTOMATED

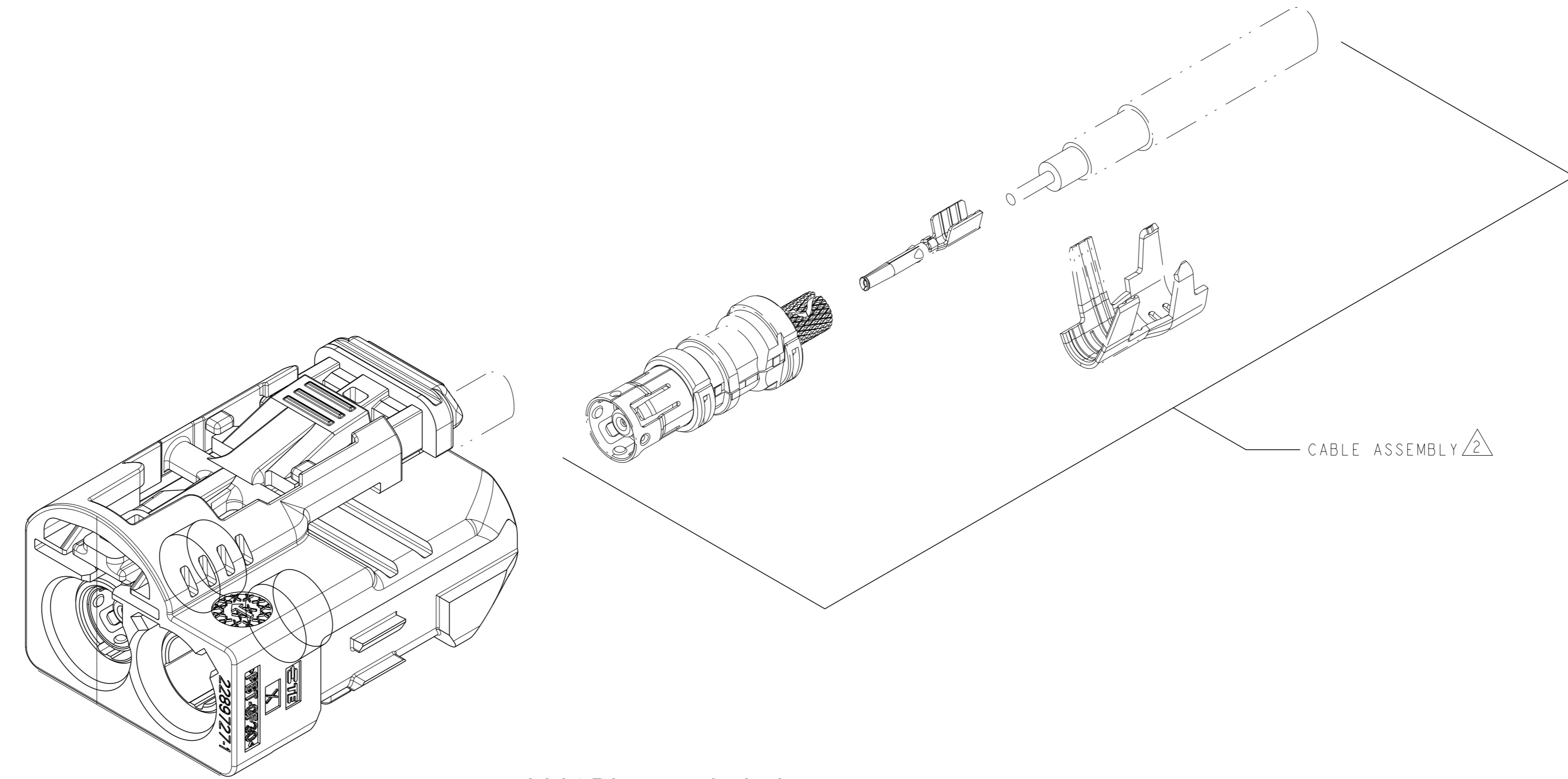
PRODUCT SPEC: 108-32137  
 APPLICATION SPEC: 114-32145

SIZE: A1 CAGE CODE: DRAWING NO: C=2289731  
 WEIGHT: RESTRICTED CUSTOMER

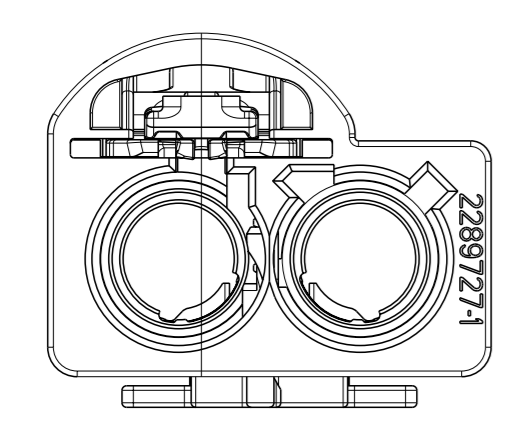
SCALE: 6:1 SHEET 1 OF 2 REV B1

Printed on 12 Jul 2022 11:51 (Mountain Standard Time) from JES13069

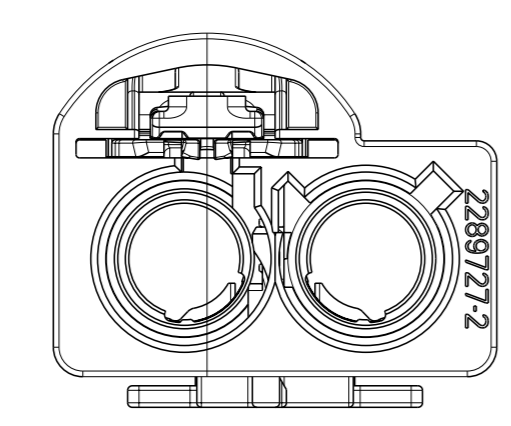
REVISIONS				
P.	LY#	DESCRIPTION	DATE	OWN APVD
-	-	SEE SHEET 1	-	-



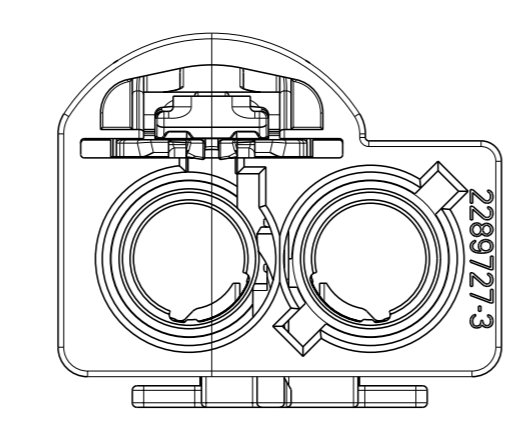
2289731-1 AS SHOWN  
SCALE 4:1



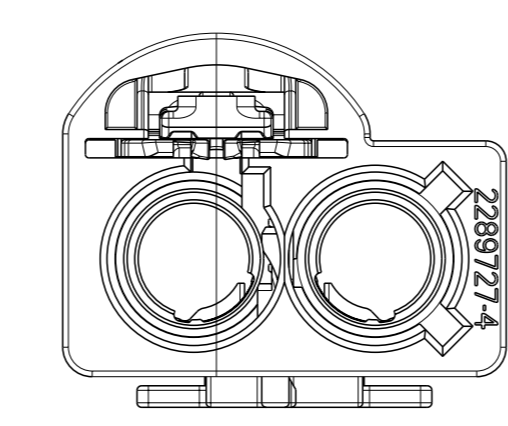
DETAIL A  
SCALE 3:1



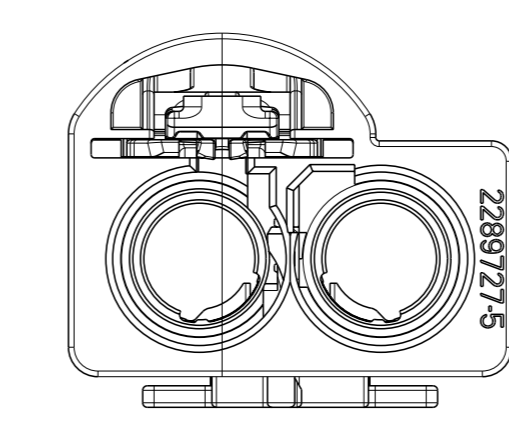
DETAIL B  
SCALE 3:1



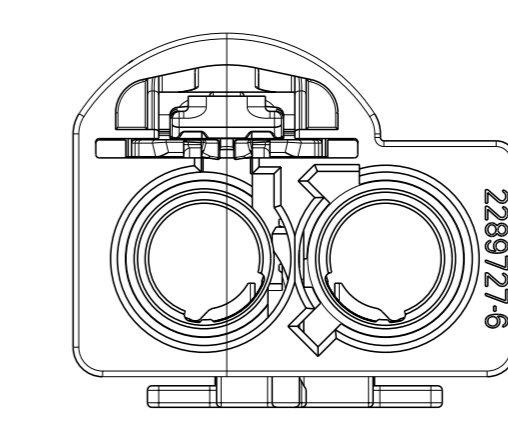
DETAIL C  
SCALE 3:1



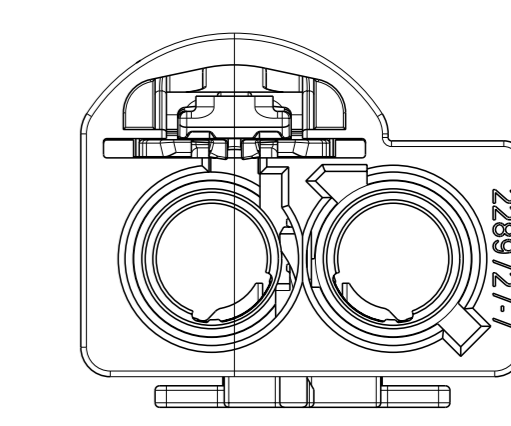
DETAIL D  
SCALE 3:1



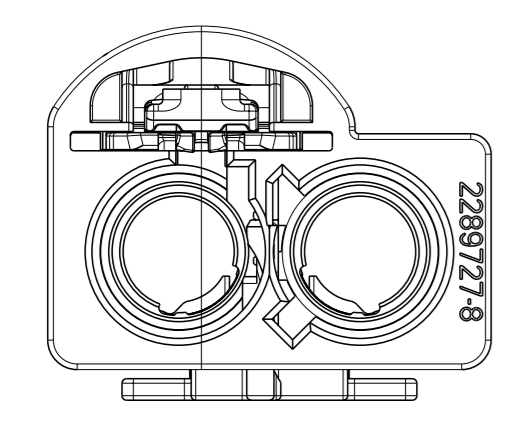
DETAIL E  
SCALE 3:1



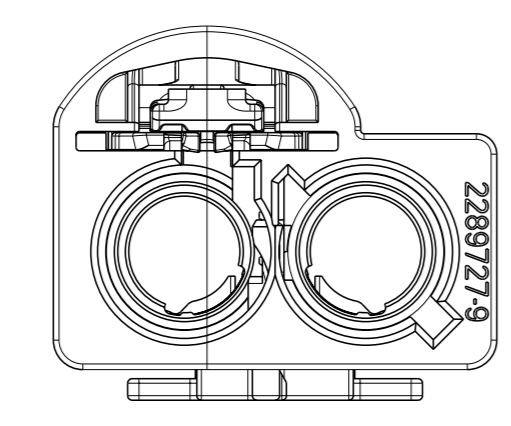
DETAIL F  
SCALE 3:1



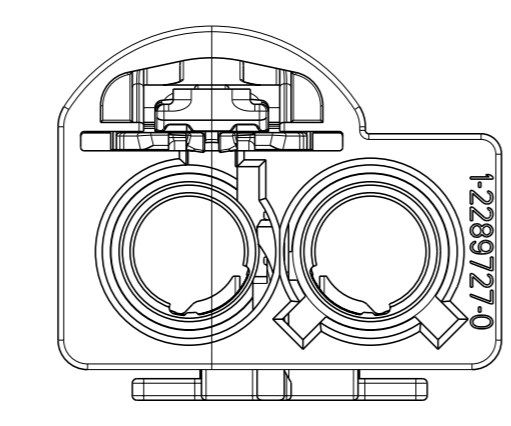
DETAIL G  
SCALE 3:1



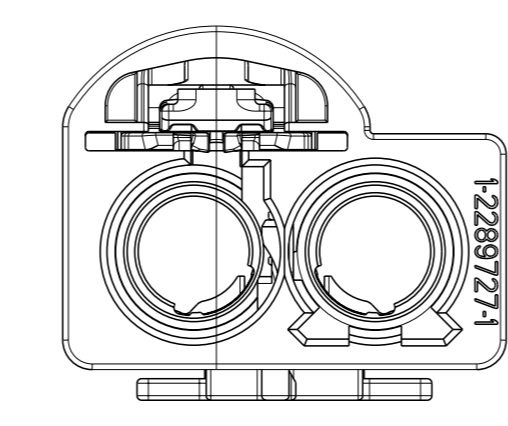
DETAIL H  
SCALE 3:1



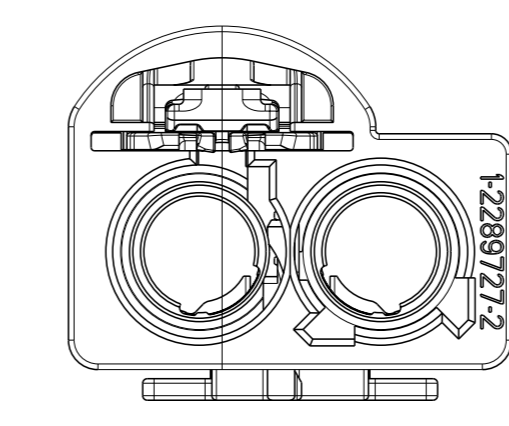
DETAIL I  
SCALE 3:1



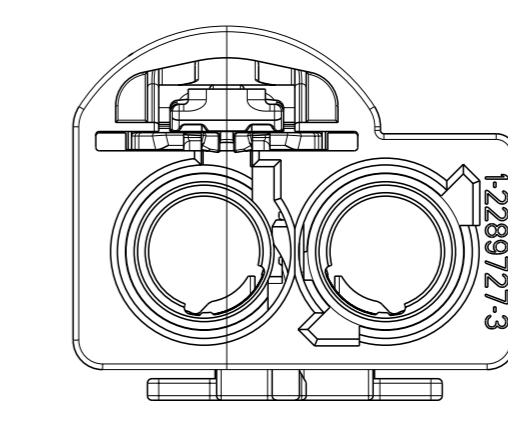
DETAIL K  
SCALE 3:1



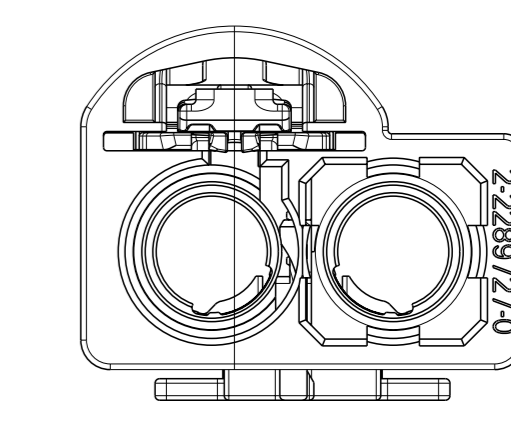
DETAIL L  
SCALE 3:1



DETAIL M  
SCALE 3:1



DETAIL N  
SCALE 3:1



DETAIL Z  
SCALE 3:1

THIS DRAWING IS A CONTROLLED DOCUMENT.		OWN D. J. HARDY 14APR2015		NAME FEMALE KIT, CPA, 2 POSITION, FAKRA AUTOMATED
DIMENSIONS:		CHK D. J. LANE 14APR2015		
TOLERANCES UNLESS OTHERWISE SPECIFIED:		APVD D. J. LANE 14APR2015		
mm		PRODUCT SPEC		
0 PLC	±	108-32137	SIZE	A1
1 PLC	±	APPLICATION SPEC	CAGE CODE	-
2 PLC	±	114-32145	DRAWING NO	C=2289731
3 PLC	±	WEIGHT	RESTRICTED TO	RESTRICTED CUSTOMER
4 PLC	±	FINISH	SCALE	6:1
ANGLES	±		SHEET	2 OF 2
			REV	B1