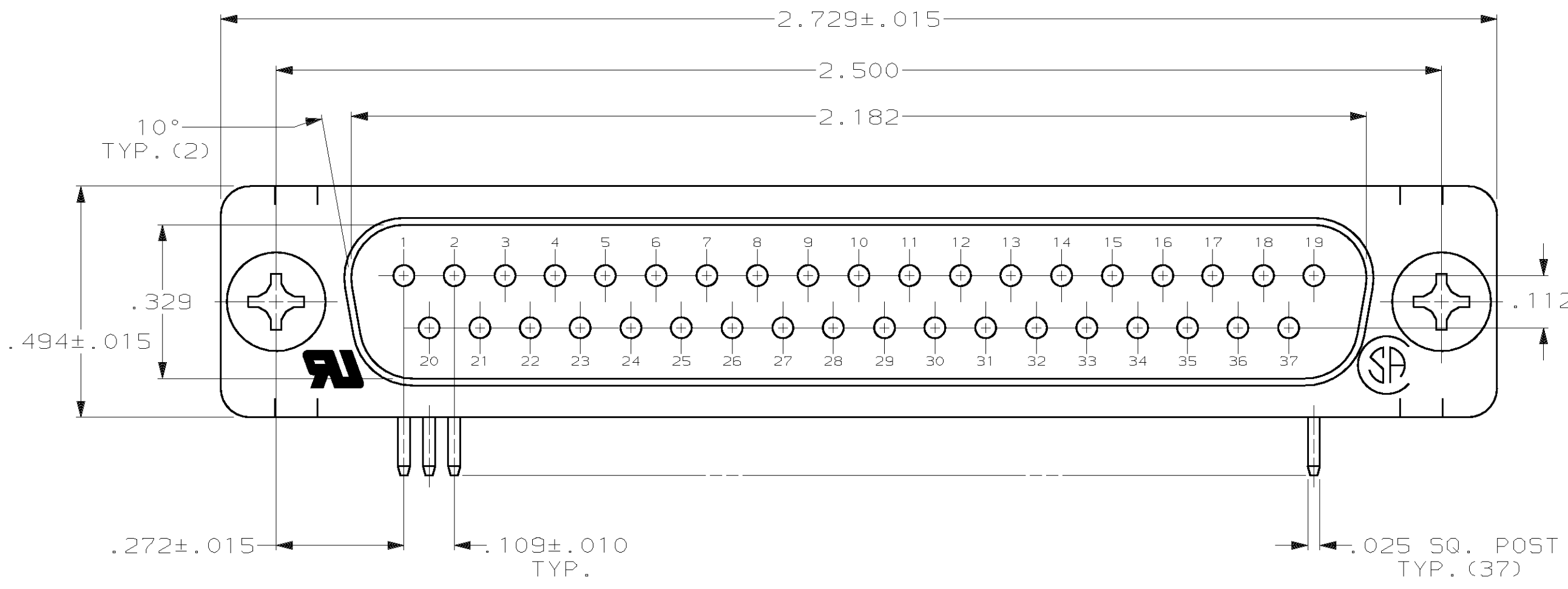
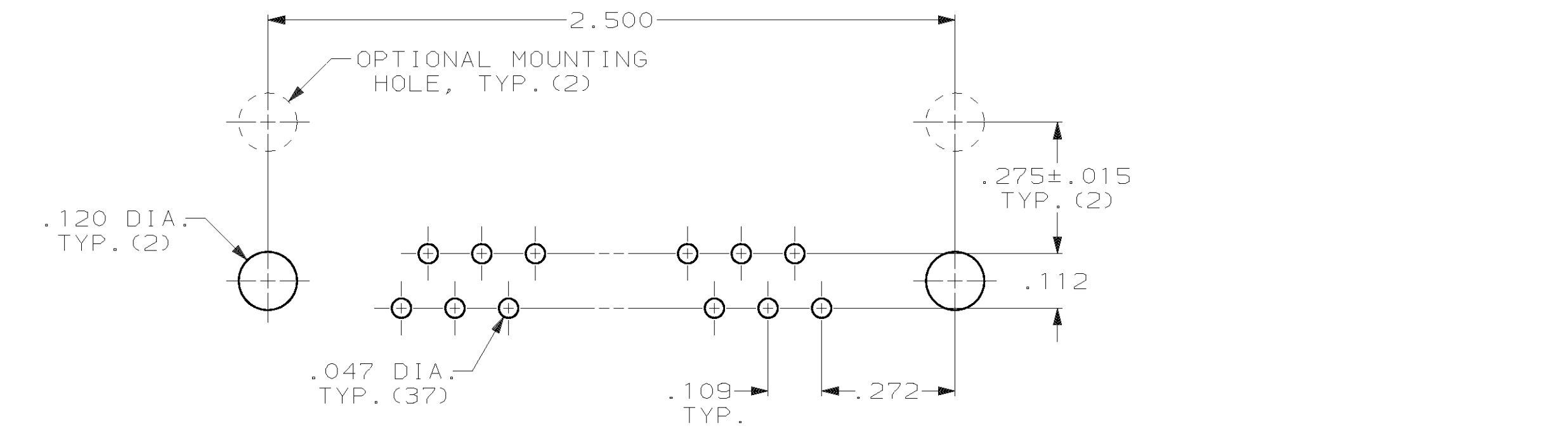
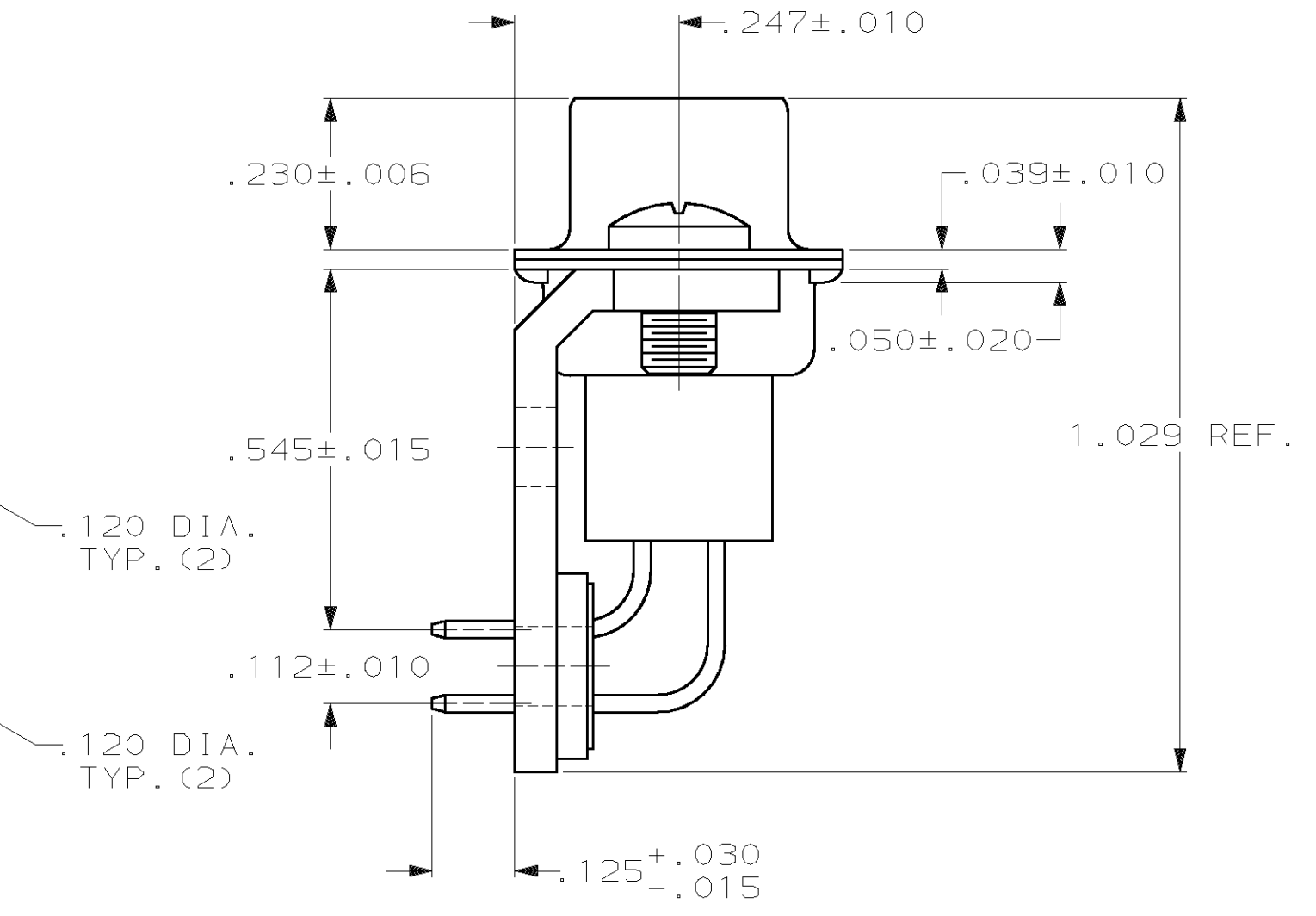
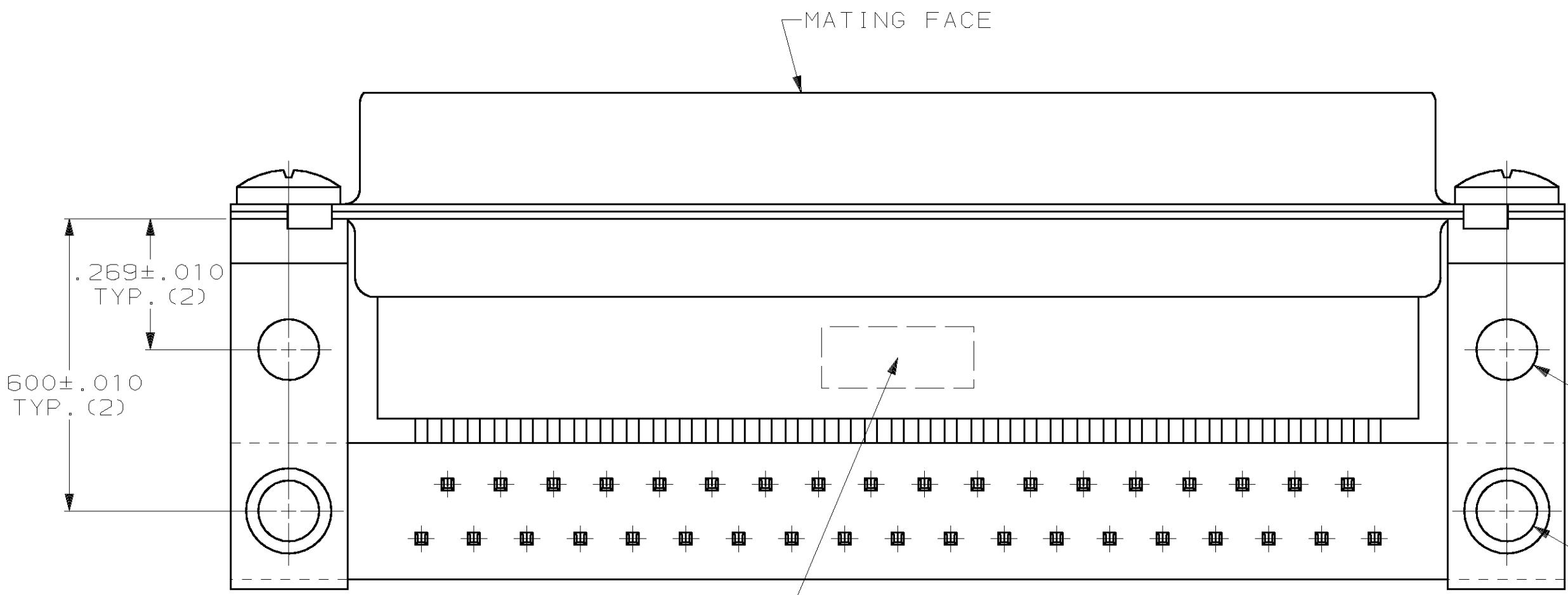


THIS DRAWING IS UNPUBLISHED. RELEASED FOR PUBLICATION  
 (C) COPYRIGHT 19 BY AMP INCORPORATED. ALL RIGHTS RESERVED.

LOC		DIST		REVISIONS			
P	LTR	DESCRIPTION	DATE	DWN	APVD		
GP	00	M	REV PER EC 001D-0275-00	02JAN02	JR	JG	



- CONNECTOR MATES WITH ANY 37 POS. RECEPTACLE IN AMPLIMITE SERIES & COMPLIES WITH AMP SPEC. 108-40,005 WHERE APPLICABLE.
- FLAME RETARDANT 94V-0 RATED THERMOPLASTIC; COLOR: BLACK.
- STEEL PER ASTM A109.
- BRASS PER MIL-C-50.
- ZINC PLATING PER ASTM B633; TYPE II; CLASS SC1; YELLOW CHROMATE, GOLD PLATING PER MIL-G-45204, NICKEL PLATING PER QQ-N-290.
- ZINC PLATED.
- GOLD PLATED FOR LENGTH OF .150 MIN FROM MATING END, GOLD FLASH IN MATED AREA, .000100 MIN TIN-LEAD ON OPPOSITE END, BOTH OVER .000050 MIN NICKEL.
- GOLD PLATED FOR LENGTH OF .150 MIN FROM MATING END, .000030 MIN GOLD IN MATED AREA, .000100 MIN TIN-LEAD ON OPPOSITE END, BOTH OVER .000050 MIN NICKEL.



OBSOLETE	8	205859-2
	7	205859-1
CONTACT FINISH		PART NUMBER

THIS DRAWING IS A CONTROLLED DOCUMENT.		DWN	J. GERACE	12-16-83	<b>AMP</b> AMP Incorporated Harrisburg, PA 17105-3608 <b>PLUG ASSEMBLY, SIZE 4, 37 POSITION, RIGHT ANGLE, 545 SERIES, .025 SQ POSTS, AMPLIMITE HDP</b>			
DIMENSIONS: INCHES		CHK	J. GERACE	12-16-83				
TOLERANCES UNLESS OTHERWISE SPECIFIED:		APVD	P. SWEIGARD	3-15-84				
0 PLC ±- 1 PLC ±- 2 PLC ±0.13 [.005J] 3 PLC ±- 4 PLC ±- ANGLES ±2°		PRODUCT SPEC						
MATERIAL MOLDED PARTS: 2 SHELL & BRACKETS: 3 CONTACTS: 4		FINISH SHELL & BRACKETS: 5 CONTACTS: SEE TABLE	APPLICATION SPEC		SIZE	CAGE CODE	DRAWING NO	RESTRICTED TO
		WEIGHT	-		A2	00779	205859	-
CUSTOMER DRAWING		SCALE	4:1	SHEET	1	OF	1	REV
								M