

# Printed-circuit board connector - DMCV 1,5/ 9-G1F-3,5-LR P20THR - 1787467

Please be informed that the data shown in this PDF Document is generated from our Online Catalog. Please find the complete data in the user's documentation. Our General Terms of Use for Downloads are valid (<http://phoenixcontact.com/download>)

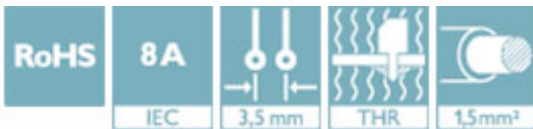
PCB headers, nominal current: 8 A, number of positions: 9, pitch: 3.5 mm, color: black, contact surface: Tin, mounting: THR soldering




The figure shows a 10-pos. version with 20 contacts

## Your advantages

- ✓ Designed for integration into the SMT soldering process
- ✓ Vertical connection enables multi-row arrangement on the PCB
- ✓ Screwable flange for superior mechanical stability
- ✓ Automatic locking and intuitive release through Lock and Release operating lever in contrasting color
- ✓ Small component size for applications where space is at a premium



## Key Commercial Data

|                        |   |
|------------------------|---|
| Packing unit           | 50 pc   |
| Minimum order quantity | 50 pc   |
| GTIN                   | <br>4 046356 597081 |
| GTIN                   | 4046356597081   |

## Technical data

### Dimensions

|                          |         |
|--------------------------|---------|
| Length [ l ]             | 10.6 mm |
| Width                    | 38.5 mm |
| Pitch                    | 3.5 mm  |
| Dimension a              | 28 mm   |
| Width [ w ]              | 38.5 mm |
| Height [ h ]             | 12 mm   |
| Height                   | 10 mm   |
| Length of the solder pin | 2 mm    |

# Printed-circuit board connector - DMCV 1,5/ 9-G1F-3,5-LR P20THR - 1787467

## Technical data

### Dimensions

|                |              |
|----------------|--------------|
| Pin dimensions | 0.8 x 0.8 mm |
| Pin spacing    | 5.50 mm      |
| Length         | 10.6 mm      |

### General

|  |                      |
|--|----------------------|
| Range of articles                      | DMCV 1,5/...-G1F-THR |
| Insulating material group              | IIIa                 |
| Rated surge voltage (III/3)            | 2.5 kV               |
| Rated surge voltage (III/2)            | 2.5 kV               |
| Rated surge voltage (II/2)             | 2.5 kV               |
| Rated voltage (III/3)                  | 160 V                |
| Rated voltage (III/2)                  | 160 V                |
| Rated voltage (II/2)                   | 250 V                |
| Connection in acc. with standard       | EN-VDE               |
| Nominal current $I_N$                  | 8 A                  |
| Maximum load current                   | 8 A                  |
| Insulating material                    | LCP                  |
| Flammability rating according to UL 94 | V0                   |
| Color                                  | black                |
| Number of positions                    | 9                    |

### Standards and Regulations

|  |        |
|--|--------|
| Connection in acc. with standard       | EN-VDE |
|  | CUL    |
| Flammability rating according to UL 94 | V0     |

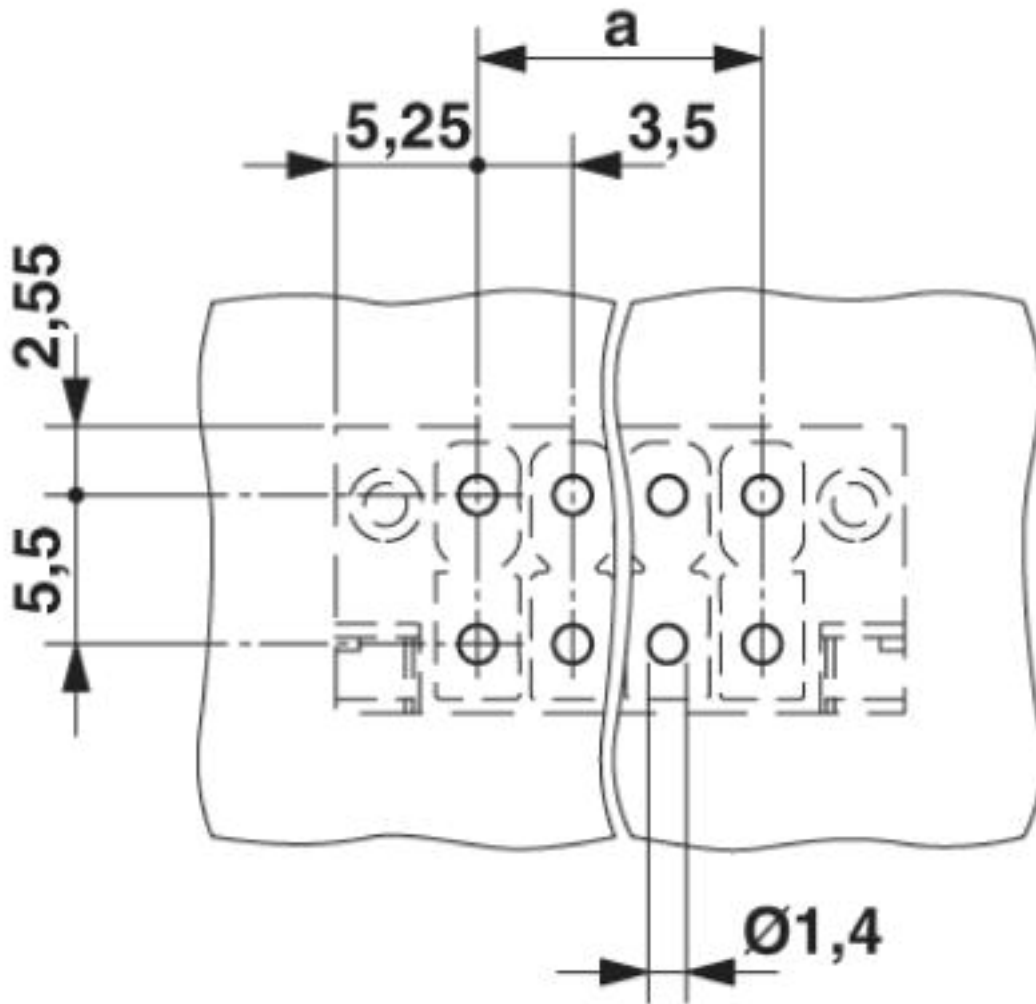
### Environmental Product Compliance

|            |   |
|------------|---|
| China RoHS | Environmentally friendly use period: unlimited = EFUP-e |
|            | No hazardous substances above threshold values          |

## Drawings

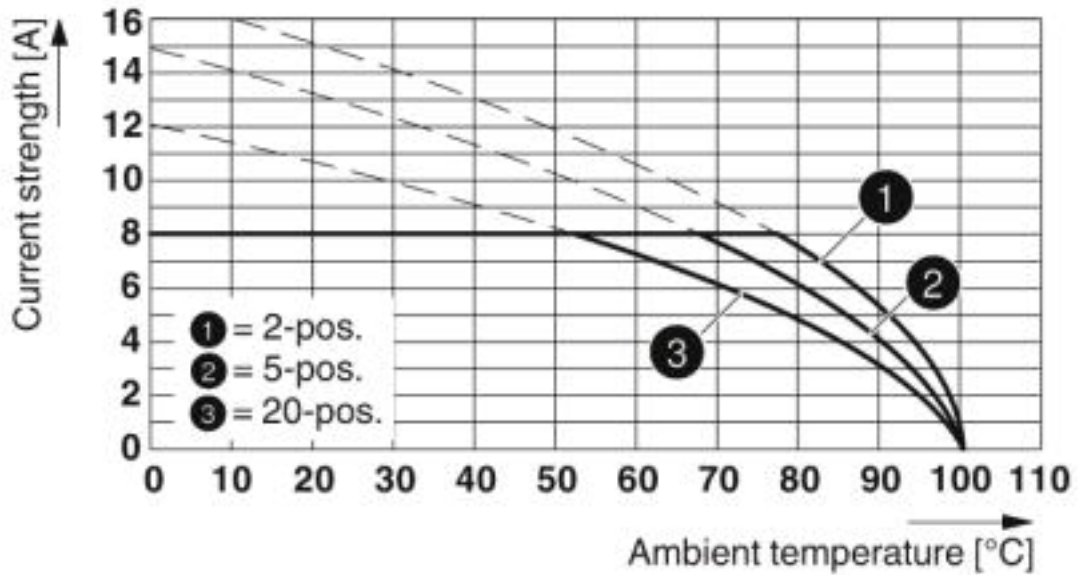
# Printed-circuit board connector - DMCV 1,5/ 9-G1F-3,5-LR P20THR - 1787467

Drilling diagram



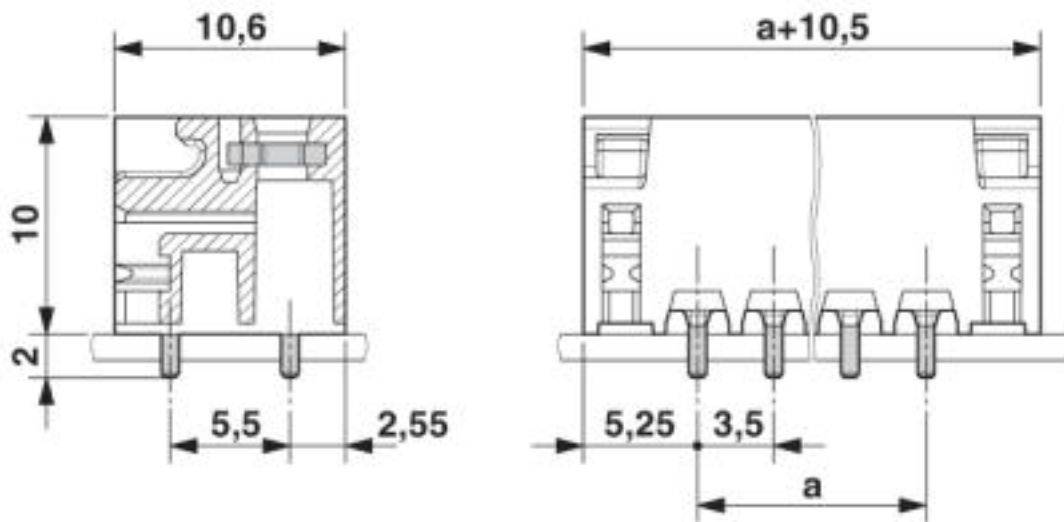
# Printed-circuit board connector - DMCV 1,5/ 9-G1F-3,5-LR P20THR - 1787467

Diagram



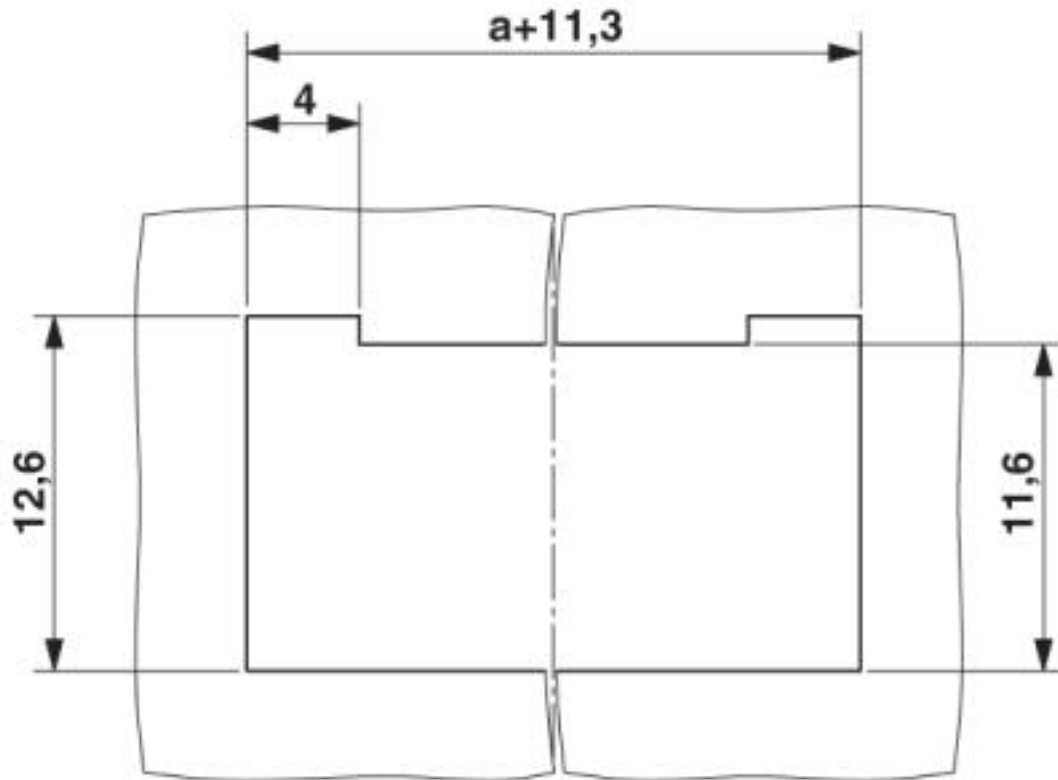
Type: DFMC 1,5/...-STF-3,5 with DMCV 1,5/...-G1F-3,5-LR P...THR

Dimensional drawing



# Printed-circuit board connector - DMCV 1,5/ 9-G1F-3,5-LR P20THR - 1787467

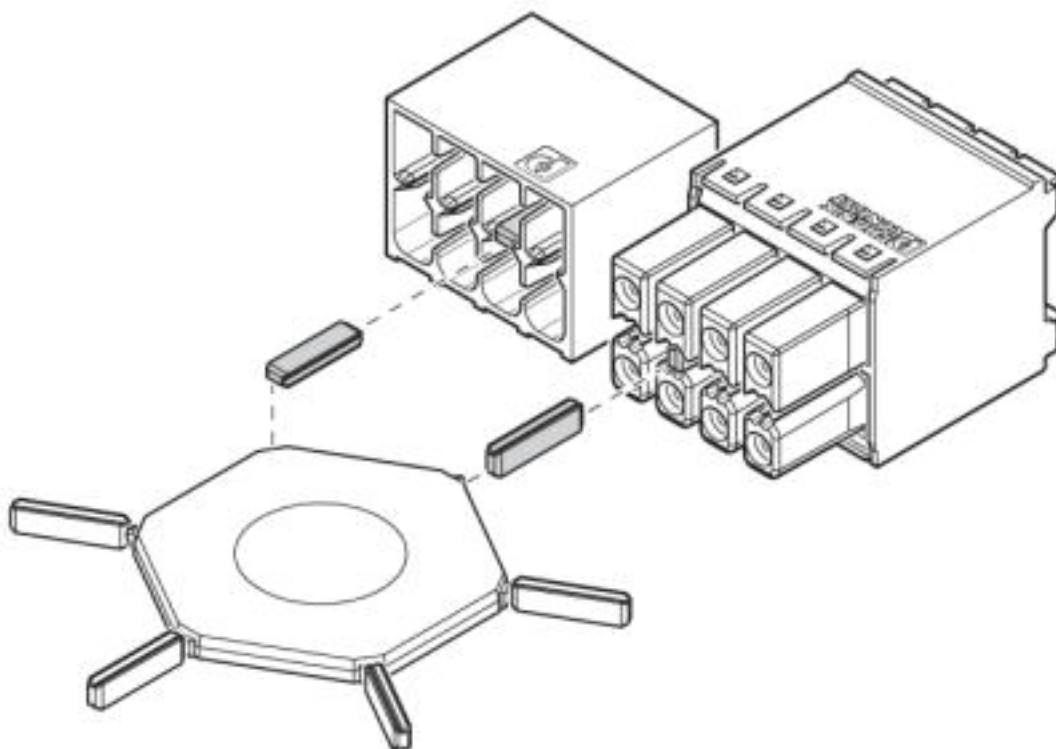
Schematic diagram



Panel cutout

# Printed-circuit board connector - DMCV 1,5/ 9-G1F-3,5-LR P20THR - 1787467

Schematic diagram



Use of the CP-DMC... coding profile

## Approvals

Approvals

---

Approvals

IECEE CB Scheme / VDE Gutachten mit Fertigungsüberwachung / EAC / cULus Recognized

---


Ex Approvals


## Approval details


|                    |                     |   |                 |
|--------------------|---------------------|---|-----------------|
| IECEE CB Scheme    | <b>CB</b><br>scheme | <a href="http://www.iecee.org/">http://www.iecee.org/</a> | DE1-60359_B1_B2 |
| Nominal voltage UN | 160 V               |   |                 |
| Nominal current IN | 8 A                 |   |                 |

# Printed-circuit board connector - DMCV 1,5/ 9-G1F-3,5-LR P20THR - 1787467

## Approvals

|  |   |  |          |
|--|---|--|----------|
| VDE Gutachten mit<br>Fertigungsüberwachung |  | <a href="http://www2.vde.com/de/Institut/Online-Service/VDE-gepruefteProdukte/Seiten/Online-Suche.aspx">http://www2.vde.com/de/Institut/Online-Service/<br/>VDE-gepruefteProdukte/Seiten/Online-Suche.aspx</a> | 40038423 |
| Nominal voltage UN                         |   | 160 V  |          |
| Nominal current IN                         |   | 8 A  |          |

|     |   |         |
|-----|---|---------|
| EAC |  | B.01742 |
|-----|---|---------|

|                    |   |   |                 |
|--------------------|---|---|-----------------|
| cULus Recognized   |  | <a href="http://database.ul.com/cgi-bin/XYV/template/LISEXT/1FRAME/index.htm">http://database.ul.com/cgi-bin/XYV/template/LISEXT/1FRAME/index.htm</a> | E60425-20110128 |
|                    | B   | C   | D               |
| Nominal voltage UN | 300 V   | 50 V  | 300 V           |
| Nominal current IN | 8 A   | 8 A   | 8 A             |

Phoenix Contact 2019 © - all rights reserved  
<http://www.phoenixcontact.com>

PHOENIX CONTACT GmbH & Co. KG  
Flachsmarktstr. 8  
32825 Blomberg  
Germany  
Tel. +49 5235 300  
Fax +49 5235 3 41200  
<http://www.phoenixcontact.com>