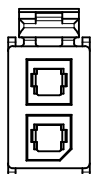
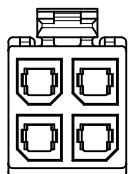


20 19 18 17 16 15 14 13 12 11 10 9 8 7 6 5 4 3 2 1

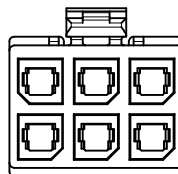
2 CKTS



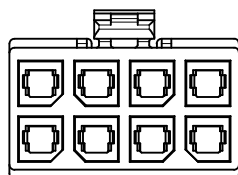
4 CKT



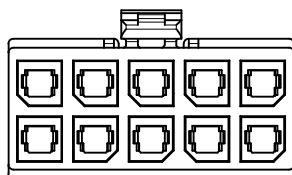
6 CKT



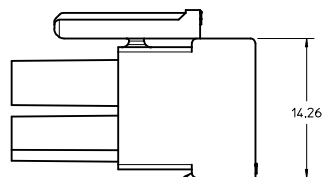
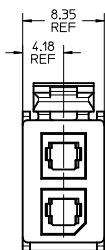
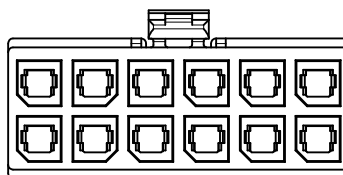
8 CKT



10 CKTS



12 CKTS

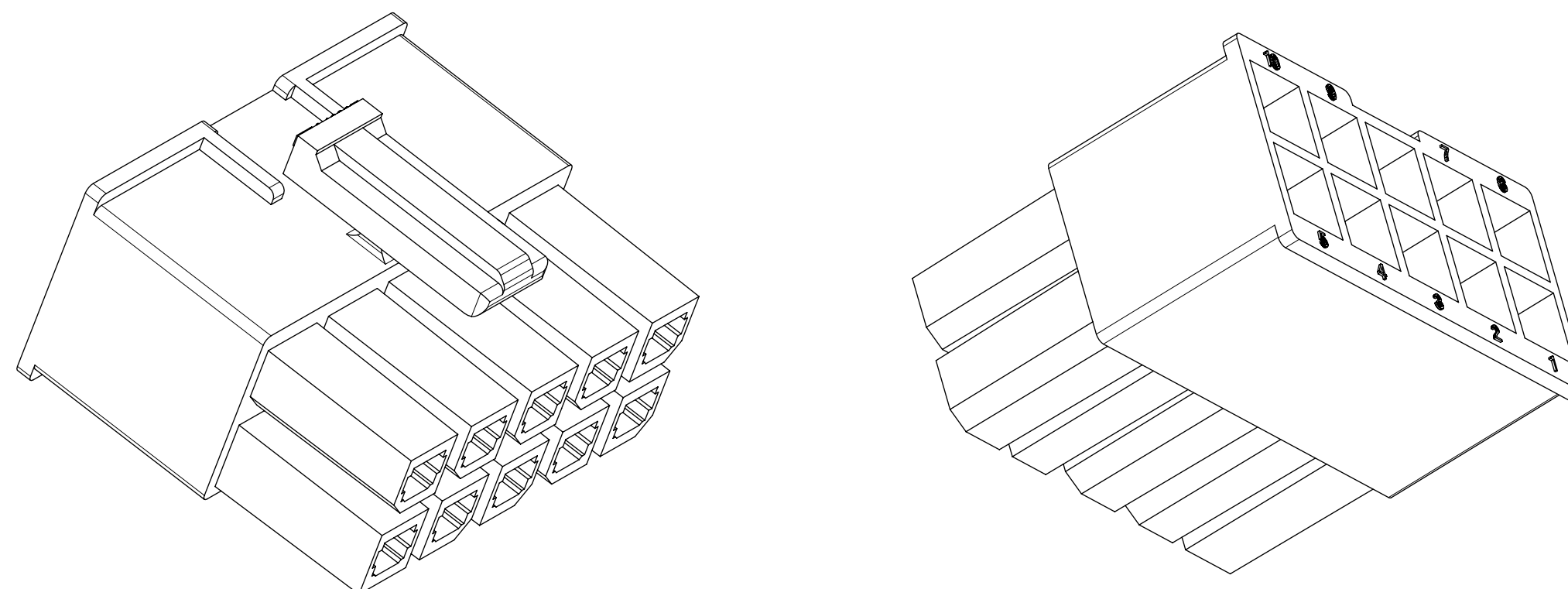
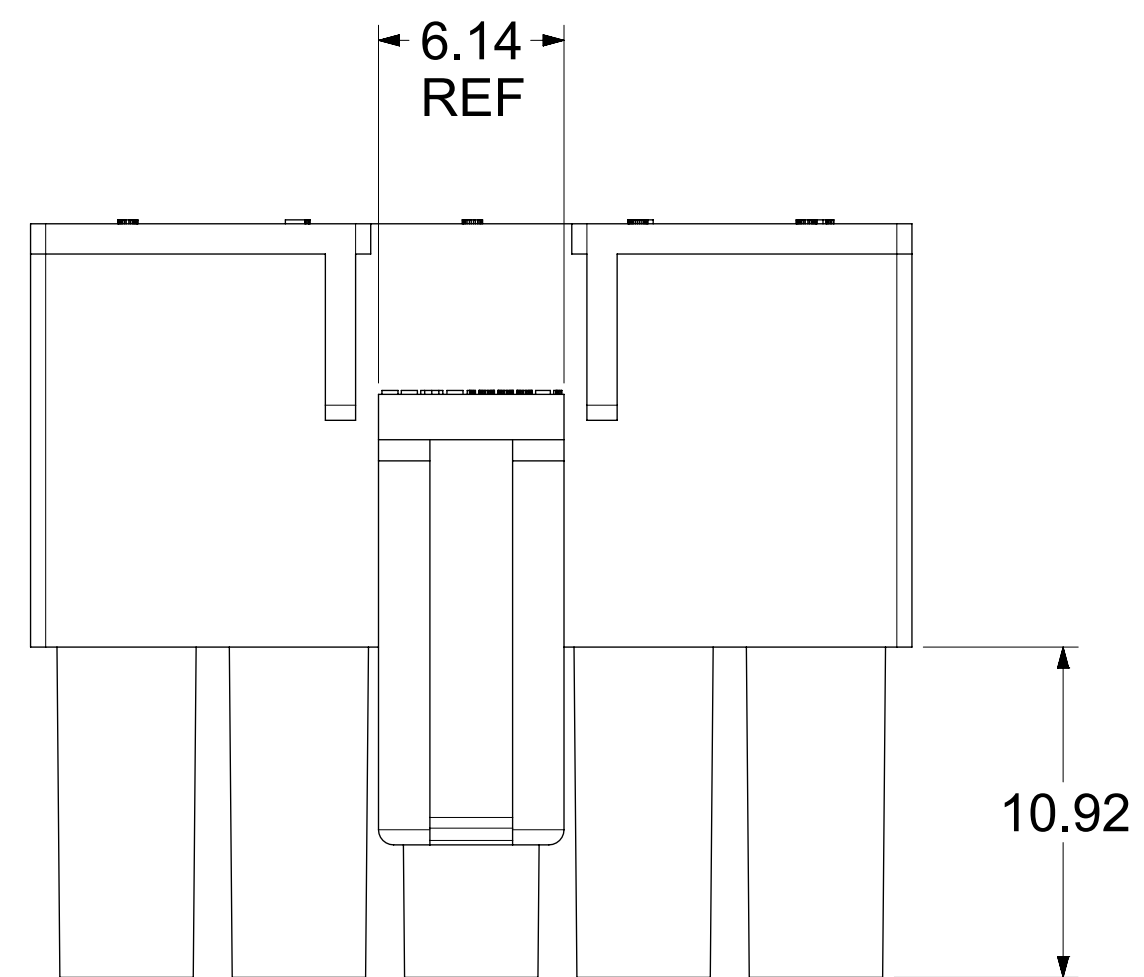


BOTTOM RIBS
ON 2 CKT ONLY

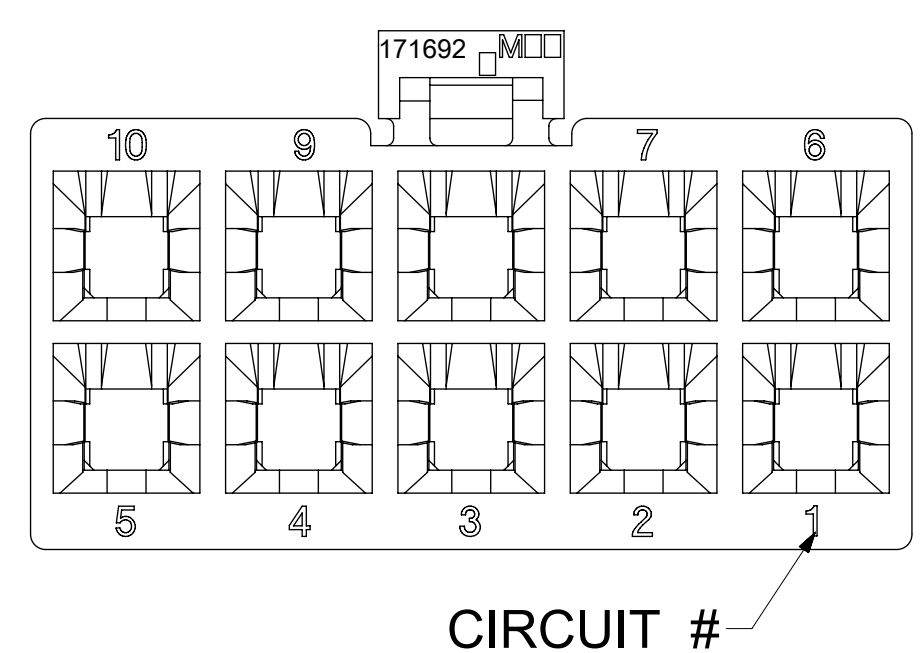
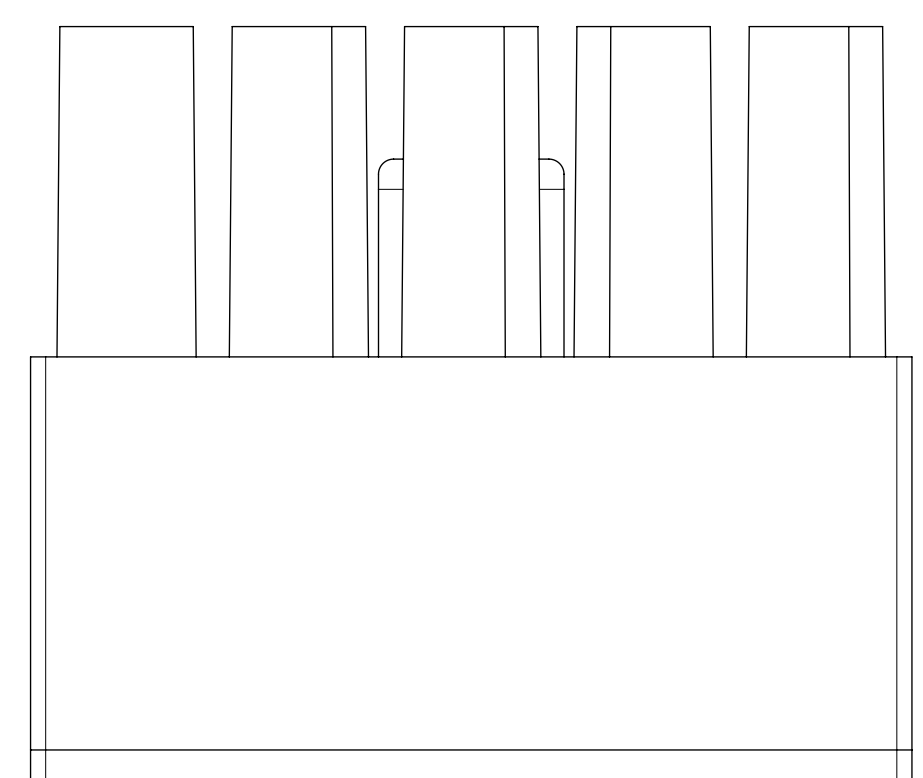
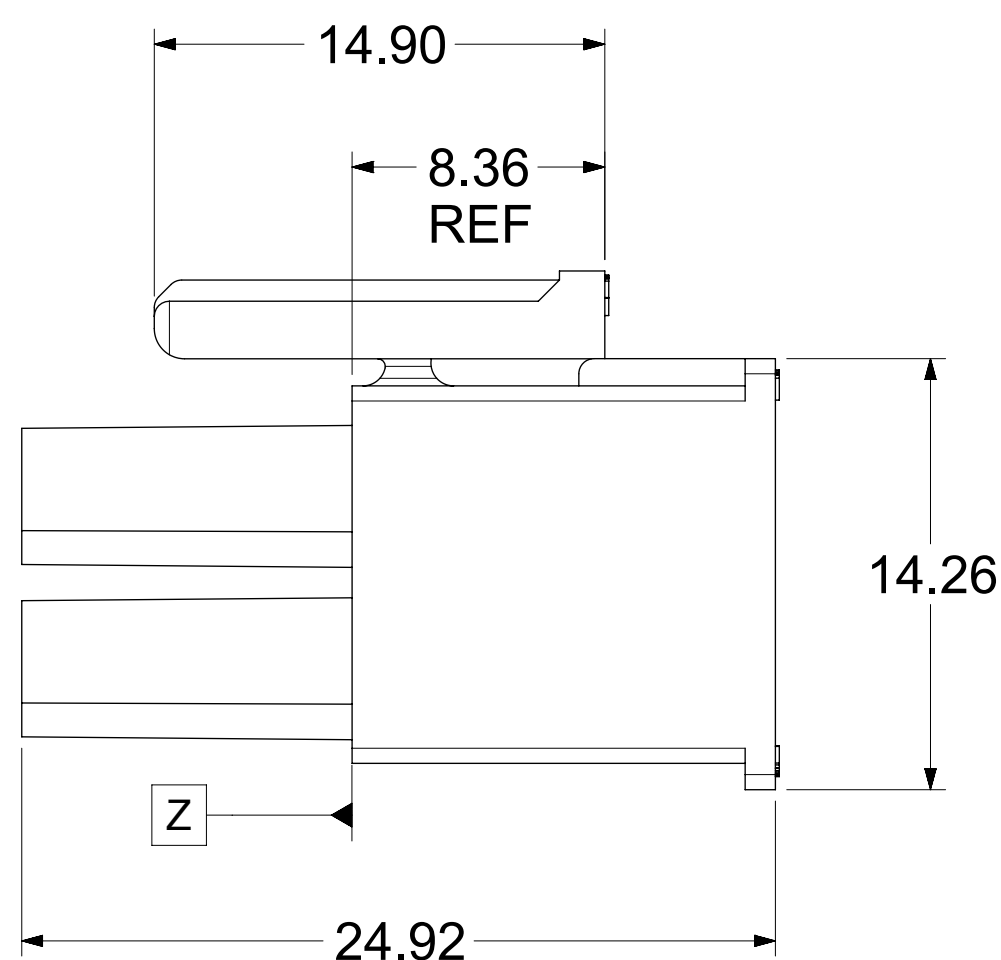
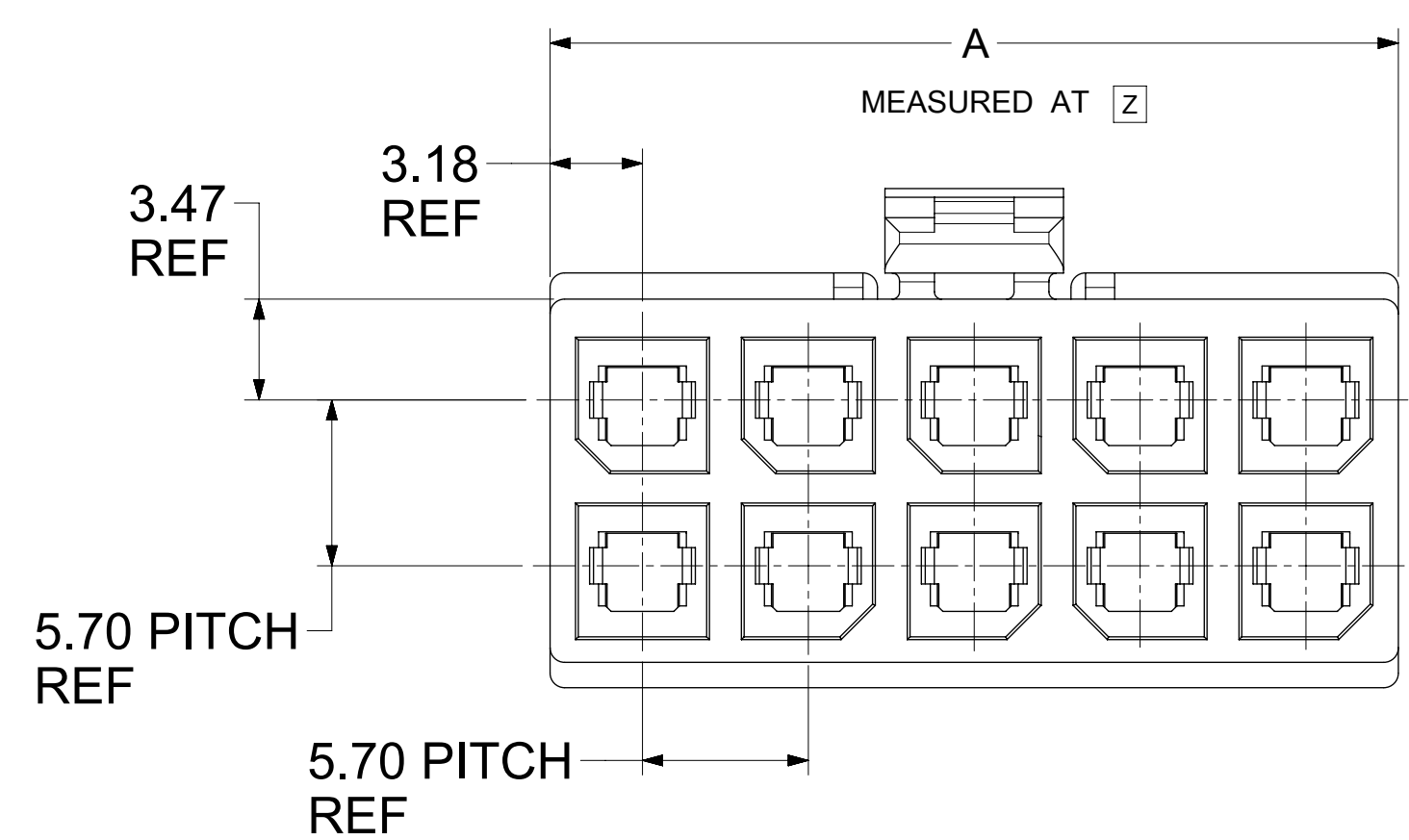
170001-0102

SEE SHT 1 IEC NO: UCP2015-2016 DRAWN: BELL 2015/01/09 CHECKED: BELL 2015/01/09 APPR: FSW TH 2015/03/10 REV DESCRIPTION	QUALITY SYMBOLS		GENERAL TOLERANCES (UNLESS SPECIFIED)		DIMENSION STYLE		SCALE	DESIGN UNITS	THIRD ANGLE PROJECTION
	▽=0	4 PLACES	mm	INCH	MM ONLY		4:1	METRIC	☉
	▽=0	3 PLACES	±	±	DRAWN BY DATE				
	▽=0	2 PLACES	±0.25	±	MKARADIMAS 2010/11/23				
	1 PLACE	±	±	CHECKED BY DATE					TITLE
	0 PLACE	±	±	APPROVED BY DATE					MEGA-FIT RECEPTACLE HOUSING 2-12 CKT GLOW WIRE
	ANGULAR ±1/2°		DRAFT WHERE APPLICABLE MUST REMAIN WITHIN DIMENSIONS		MATERIAL NO.		DOCUMENT NO.		SHEET NO.
	SEE CHART				SD-170001-0100				2 OF 2
THIS DRAWING CONTAINS INFORMATION THAT IS PROPRIETARY TO MOLEX INCORPORATED AND SHOULD NOT BE USED WITHOUT WRITTEN PERMISSION									

19 18 17 16 15 14 13 12 11 10 9 8 7 6 5 4 3 2 1



171692-0110



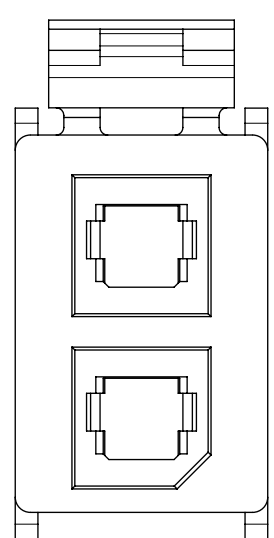
CKT NO	PART NO	DIM A
2	171692-0102	8.35
4	171692-0104	12.05
6	171692-0106	17.75
8	171692-0108	23.45±0.40
10	171692-0110	29.15±0.40
12	171692-0112	34.85±0.40

NOTES:

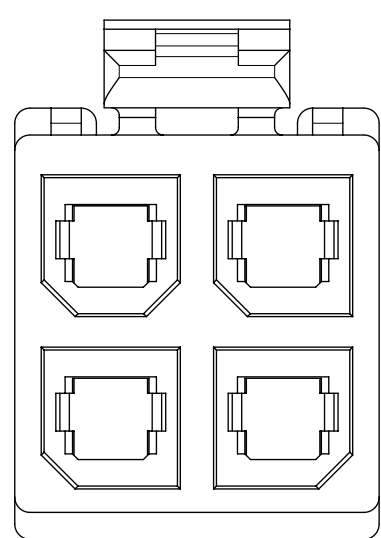
- MATERIAL:
HOUSING: PBT, UL 94V-0, COLOR: BLACK.
- FINISH: NOT APPLICABLE.
- PRODUCT SPECIFICATION: PS-76823-100.
- PACKAGING: BULK PACK PER PK-170001-001
- PART MATES WITH MOLEX SERIES NUMBERS 76825, 76829, 172064, AND 172065.
- PART IS FOR USE WITH MOLEX FEMALE TERMINAL 76823 OR 172063 SERIES.
- APPLICATION SPECIFICATION: AS-76823-100.
- PARTS CONFORM TO CLASS B REQUIREMENTS OF COSMETIC SPECIFICATION PS-45499-002 WITH THE EXCEPTION OF DISCOLORATION AND SINK MEETS CLASS "C" REQUIREMENTS.

THIS DRAWING CONTAINS INFORMATION THAT IS PROPRIETARY TO MOLEX ELECTRONIC TECHNOLOGIES, LLC AND SHOULD NOT BE USED WITHOUT WRITTEN PERMISSION											
DIMENSION UNITS		SCALE		CURRENT REV DESC:							
mm		NTS									
GENERAL TOLERANCES (UNLESS SPECIFIED)				EC NO: 716347						MEGA-FIT RECEPTACLE HOUSING 2-12 CKT	
ANGULAR TOL ± 0.5°				DRWN: JERRYW8 2022/08/01							
4 PLACES ±				CHK'D: XQZHANG 2022/08/18						PRODUCT CUSTOMER DRAWING	
3 PLACES ±				APPR: XQZHANG 2022/08/18							
2 PLACES ± 0.25				INITIAL REVISION:						DOCUMENT NUMBER: SD-171692-0100 DOC TYPE: PSD DOC PART: 001 REVISION: C1	
1 PLACE ±				DRWN: MKARADIMAS 2012/08/01							
0 PLACES ±				APPR: APATEL 2012/08/17						MATERIAL NUMBER: SEE CHART CUSTOMER: GENERAL MARKET SHEET NUMBER: 1 OF 2	
DRAFT WHERE APPLICABLE MUST REMAIN WITHIN DIMENSIONS				THIRD ANGLE PROJECTION		DRAWING		SERIES			
						D-SIZE		171692			

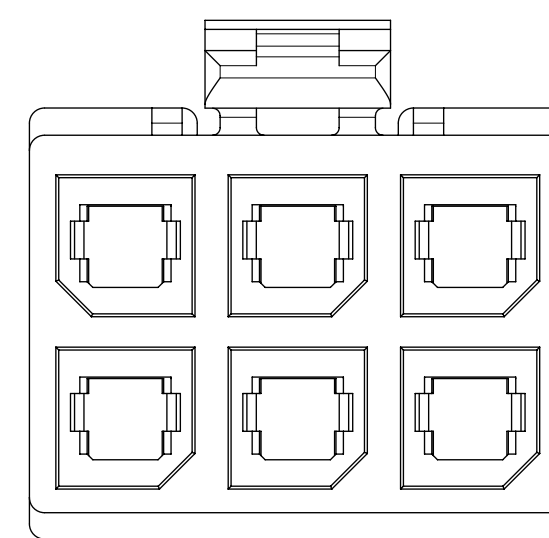
2 CKTS



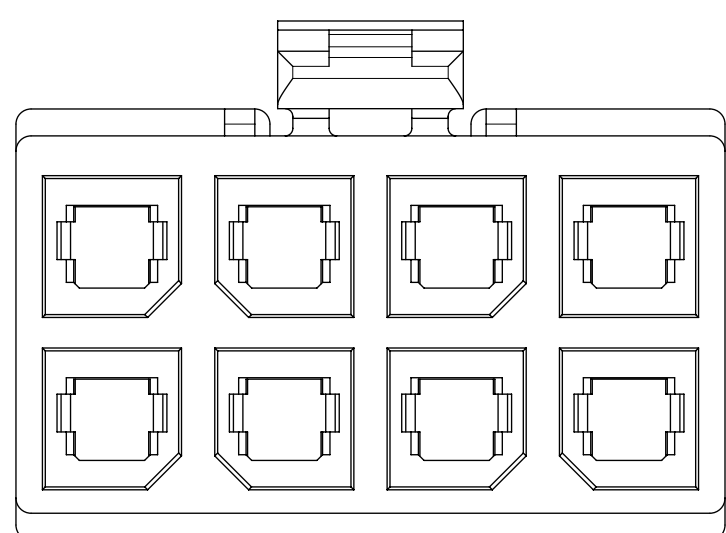
4 CKT



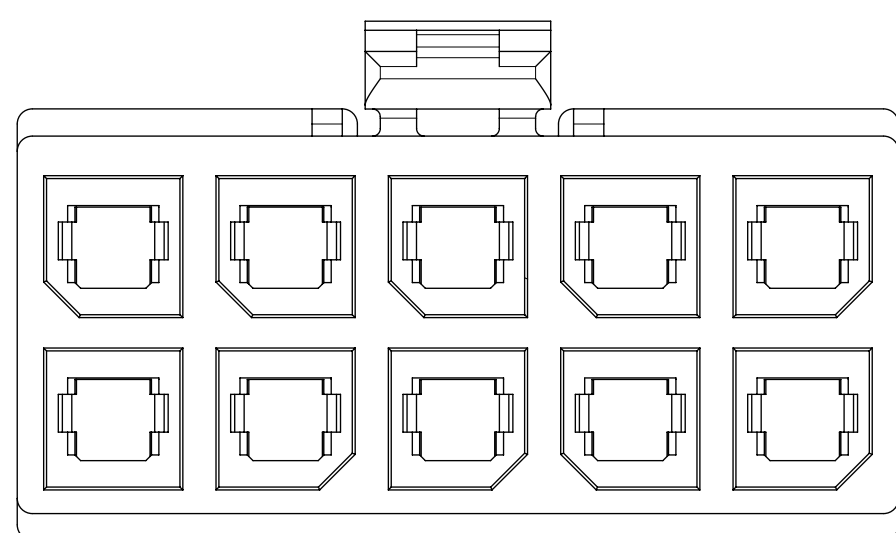
6 CKT



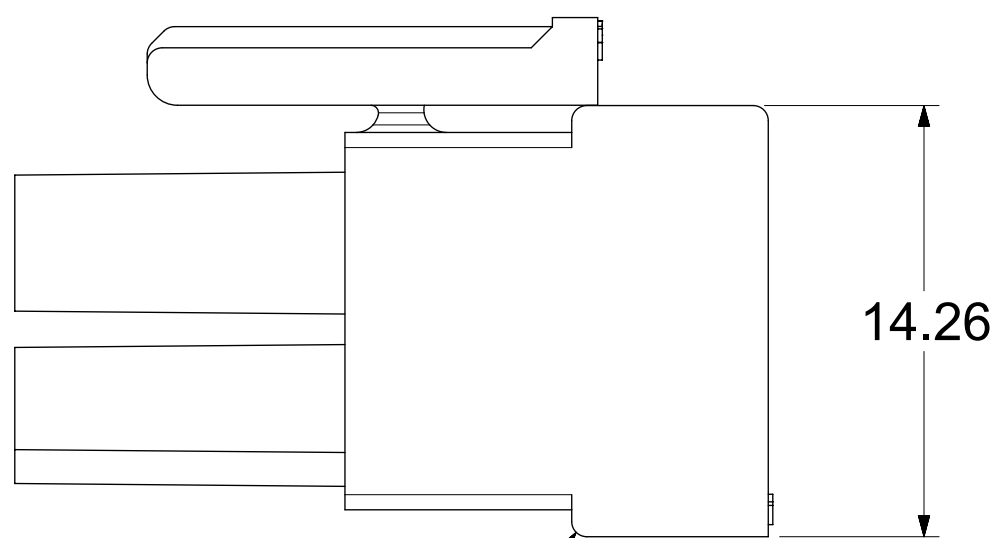
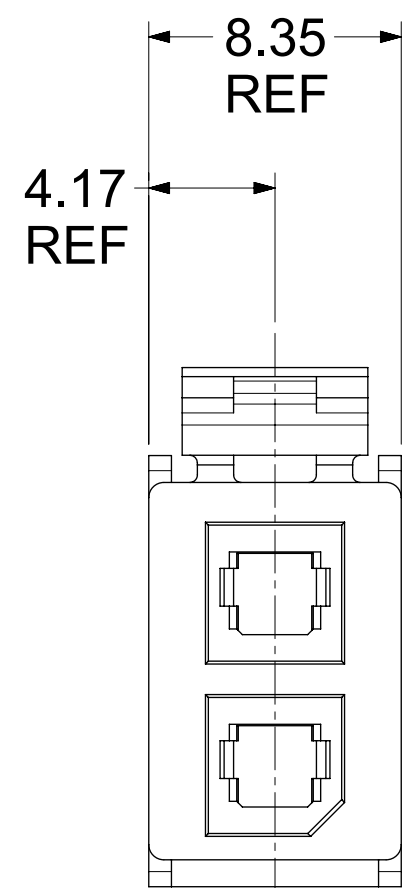
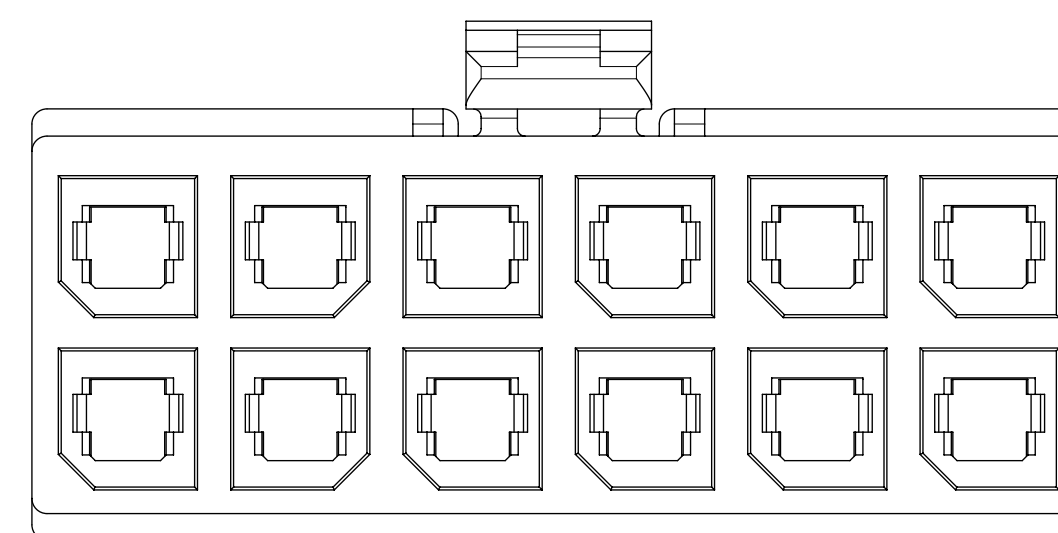
8 CKT



10 CKTS



12 CKTS



BOTTOM RIB ON
2 CKT ONLY

171692-0102

THIS DRAWING CONTAINS INFORMATION THAT IS PROPRIETARY TO MOLEX ELECTRONIC TECHNOLOGIES, LLC AND SHOULD NOT BE USED WITHOUT WRITTEN PERMISSION											
DIMENSION UNITS		SCALE		CURRENT REV DESC:						molex	
mm		NTS									
GENERAL TOLERANCES (UNLESS SPECIFIED)				EC NO: 716347						MEGA-FIT RECEPTACLE HOUSING 2-12 CKT	
ANGULAR TOL ± 0.5°				DRWN: JERRYW8 2022/08/01							
4 PLACES ±				CHK'D: XQZHANG 2022/08/18						PRODUCT CUSTOMER DRAWING	
3 PLACES ±				APPR: XQZHANG 2022/08/18							
2 PLACES ± 0.25				INITIAL REVISION:						DOCUMENT NUMBER	
1 PLACE ±				DRWN: MKARADIMAS 2012/08/01							
0 PLACES ±				APPR: APATEL 2012/08/17						REVISION	
DRAFT WHERE APPLICABLE MUST REMAIN WITHIN DIMENSIONS				THIRD ANGLE PROJECTION		DRAWING		SERIES		CUSTOMER	
						D-SIZE		171692		SEE CHART	
								GENERAL MARKET		2 OF 2	