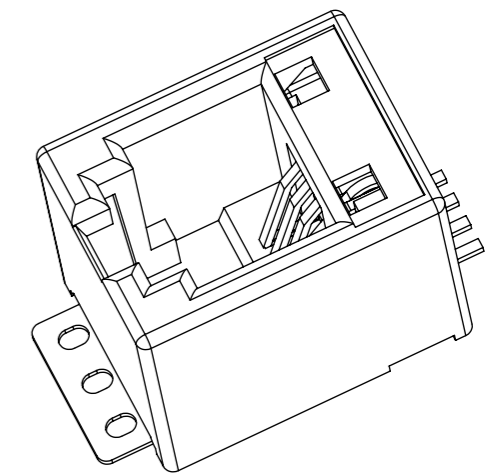
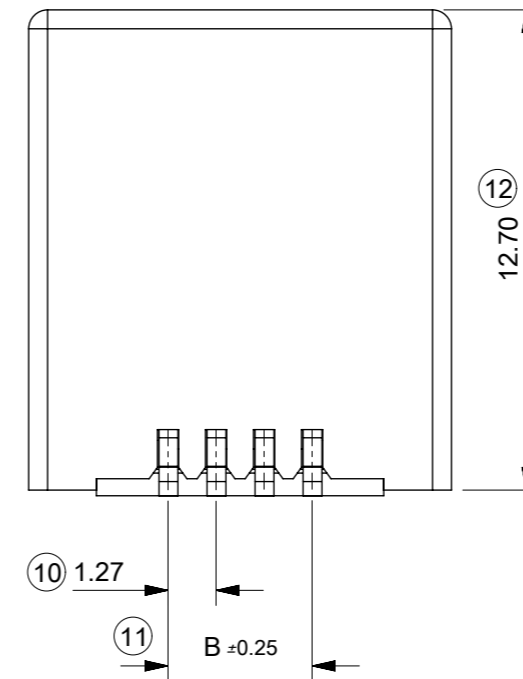


NOTES:

1. MATERIAL:
HOUSING: LCP GLASS FILLED UL 94-VO, COLOUR BLACK,
TERMINAL: COPPER ALLOY PLATED WITH:
BASE FINISH: NICKEL
CONTACT SURFACE FINISH:
GOLD,
OR
GOLD FLASH OVER PALLADIUM NICKEL.
EXCEEDS PRODUCT REQUIREMENTS BASED ON PS-85513-002
2. JACK FOR MATING WITH IEC 60603-7 AND TIA-1096-A PLUGS (MOLEX 90075 SERIES).
3. PRODUCT SPECIFICATION: PS-85513-002.
4. PACKAGING SPECIFICATION (SEE CHART SHEET2):
PK-85513-001 SHEET 3 (BLISTER ON REEL 13")
PK-85513-001 SHEET 1 (BLISTER ON REEL 15")
PK-85513-001 SHEET 2 (BLISTER ON REEL 22")
5. FLAT SURFACE ON BOTH SIDES FOR PICK AND PLACE PURPOSE
6. COPLANARITY OF LEADS AND TABS: 0.10 MAX
7. SEE RECOMMENDED PCB LAYOUT ON SHEET 2
8. FOR DRAWING PURPOSE, ONLY 4/4 VERSION SHOWN.
9. MANUFACTURING I.D CAN BE EITHER MXF, MG, MXI OR MXCH.
10. APPLICATION SPEC AS-85513-001
11. OPTIONAL PICK & PLACE TAPE

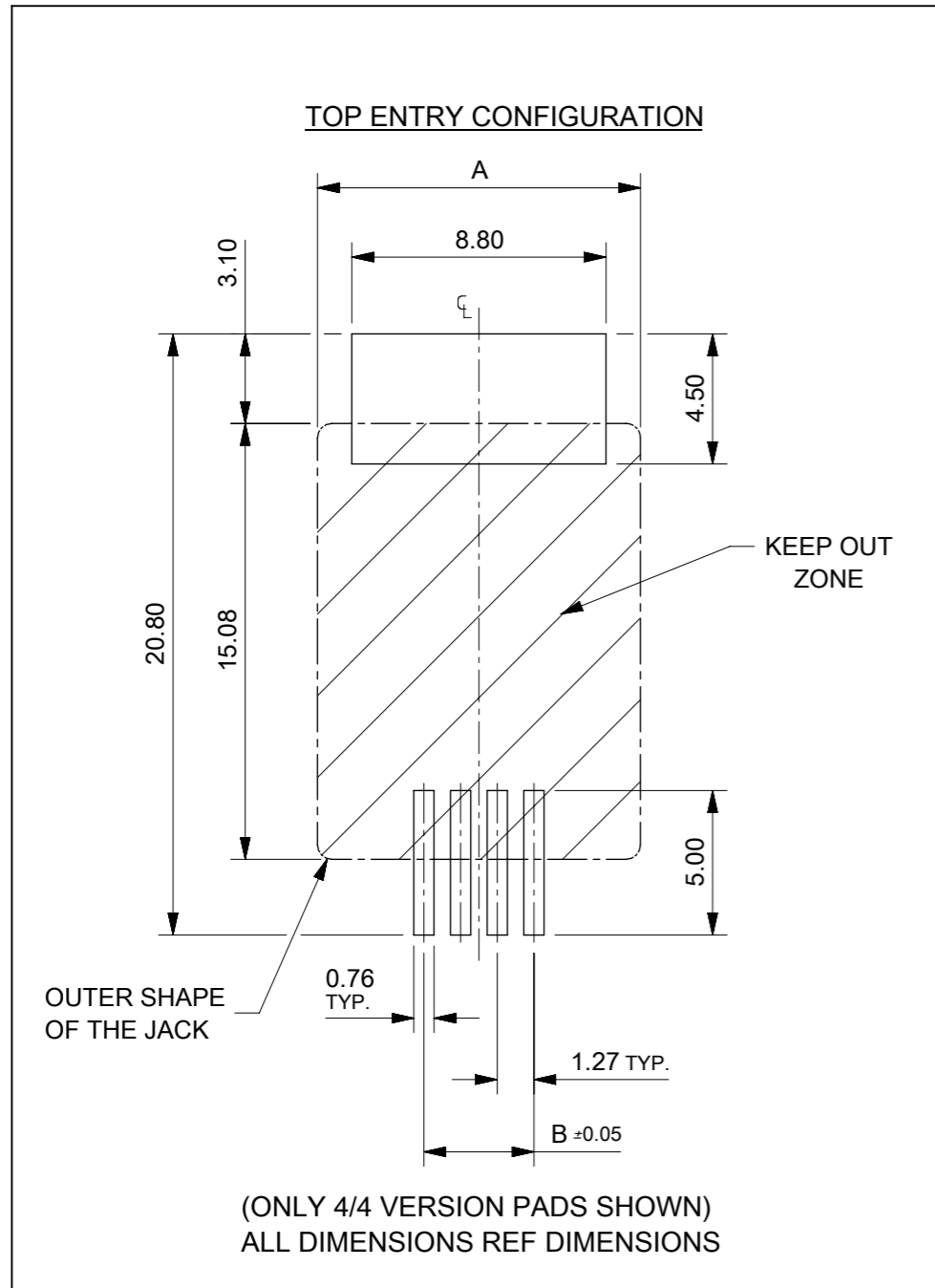
LAST INSPECTION NO.: 14



ISOMETRIC VIEW
(NOT SCALED)

FUNCTIONAL SYMBOLS	THIS DRAWING CONTAINS INFORMATION THAT IS PROPRIETARY TO MOLEX ELECTRONIC TECHNOLOGIES, LLC AND SHOULD NOT BE USED WITHOUT WRITTEN PERMISSION			
	$\nabla_A = 0$ $\nabla_E = 0$ $\nabla_V = 0$	DIMENSION UNITS: mm SCALE: 5:1		
DIVISIONAL SYMBOLS	GENERAL TOLERANCES (UNLESS SPECIFIED)		EC NO: 641518 DRWN: CRAODOREMS 2018/02/09 CHK'D: KLANG 2020/08/25 APPR: KLANG 2020/08/25	
	ANGULAR TOL ± 2.0°		INITIAL REVISION: DRWN: DBYRNES 2006/08/21 APPR: EOMAHONY 2006/09/07	
	4 PLACES ±		PRODUCT CUSTOMER DRAWING DOCUMENT NUMBER: SD-85513-010 DOC TYPE: PSD DOC PART: 001 REVISION: H1	
	3 PLACES ±		DRAFT WHERE APPLICABLE MUST REMAIN WITHIN DIMENSIONS THIRD ANGLE PROJECTION:	
2 PLACES ±	0.15	DRAWING: A3-SIZE	SERIES: 85513	MATERIAL NUMBER: SEE CHART
1 PLACE ±	0.25	CUSTOMER: GENERAL MARKET		SHEET NUMBER: 1 OF 2
0 PLACES ±				

RECOMMENDED PCB LAYOUTS
(SEE FROM COMPONENT SIDE)



PART NO.	PICK & PLACE TAPE	HOUSING SIZE	LOADED CKTS	TOOLED	A	B	C	PACKAGING	PACKAGING SPEC.
85513-5013	NO	8	8	YES	15.24	8.89	14.40 +2 -4	BLISTER ON REEL 13"	PK-85513-001 SHEET 3
85513-5113	YES			YES				BLISTER ON REEL 15"	PK-85513-001 SHEET 1
85513-5001	NO			YES				BLISTER ON REEL 22"	PK-85513-001 SHEET 2
85513-5009	NO	6	6	YES	13.21	6.35	12.40 +2 -4	BLISTER ON REEL 13"	PK-85513-001 SHEET 3
85513-5109	YES			YES				BLISTER ON REEL 15"	PK-85513-001 SHEET 1
85513-5014	NO			YES				BLISTER ON REEL 22"	PK-85513-001 SHEET 2
85513-5114	YES	6	4	YES	13.21	3.81	12.40 +2 -4	BLISTER ON REEL 13"	PK-85513-001 SHEET 3
85513-5002	NO			YES				BLISTER ON REEL 15"	PK-85513-001 SHEET 1
85513-5010	NO			YES				BLISTER ON REEL 22"	PK-85513-001 SHEET 2
85513-5110	YES	4	4	YES	11.18	3.81	10.40 +4 -2	BLISTER ON REEL 13"	PK-85513-001 SHEET 3
85513-5015	NO			YES				BLISTER ON REEL 15"	PK-85513-001 SHEET 1
85513-5115	YES			YES				BLISTER ON REEL 22"	PK-85513-001 SHEET 2
85513-5003	NO	4	4	YES	11.18	3.81	10.40 +4 -2	BLISTER ON REEL 13"	PK-85513-001 SHEET 3
85513-5011	NO			YES				BLISTER ON REEL 15"	PK-85513-001 SHEET 1
85513-5111	YES			YES				BLISTER ON REEL 22"	PK-85513-001 SHEET 2
85513-5016	NO	4	4	YES	11.18	3.81	10.40 +4 -2	BLISTER ON REEL 13"	PK-85513-001 SHEET 3
85513-5116	YES			YES				BLISTER ON REEL 15"	PK-85513-001 SHEET 1
85513-5004	NO			YES				BLISTER ON REEL 22"	PK-85513-001 SHEET 2
85513-5012	NO	4	4	YES	11.18	3.81	10.40 +4 -2	BLISTER ON REEL 13"	PK-85513-001 SHEET 3
85513-5112	YES			YES				BLISTER ON REEL 22"	PK-85513-001 SHEET 2

FUNCTIONAL SYMBOLS	THIS DRAWING CONTAINS INFORMATION THAT IS PROPRIETARY TO MOLEX ELECTRONIC TECHNOLOGIES, LLC AND SHOULD NOT BE USED WITHOUT WRITTEN PERMISSION	SCALE		CURRENT REV DESC: ADD "MXCH" AS MANUFACTURING I.D. SEE NOTE 9.	molex
	$\nabla_A = 0$ $\nabla_F = 0$ $\nabla_P = 0$	mm	1:1		
DIVISIONAL SYMBOLS	GENERAL TOLERANCES (UNLESS SPECIFIED)	EC NO: 641518			
	ANGULAR TOL ± 2.0°	DRWN: CRAODOREMS 2018/02/09			
	4 PLACES ±	CHK'D: KLANG 2020/08/25			
	3 PLACES ±	APPR: KLANG 2020/08/25			
	2 PLACES ± 0.15	INITIAL REVISION:			
1 PLACE ± 0.25	DRWN: DBYRNES 2006/08/21				
0 PLACES ±	APPR: EOMAHONY 2006/09/07				
DRAFT WHERE APPLICABLE MUST REMAIN WITHIN DIMENSIONS	THIRD ANGLE PROJECTION	DRAWING	SERIES	MATERIAL NUMBER	CUSTOMER
		A3-SIZE	85513	SEE CHART	GENERAL MARKET
DOCUMENT STATUS		P1	RELEASE DATE	2020/08/25 03:53:17	SD-85513-010
					PSD 001 H1
					2 OF 2