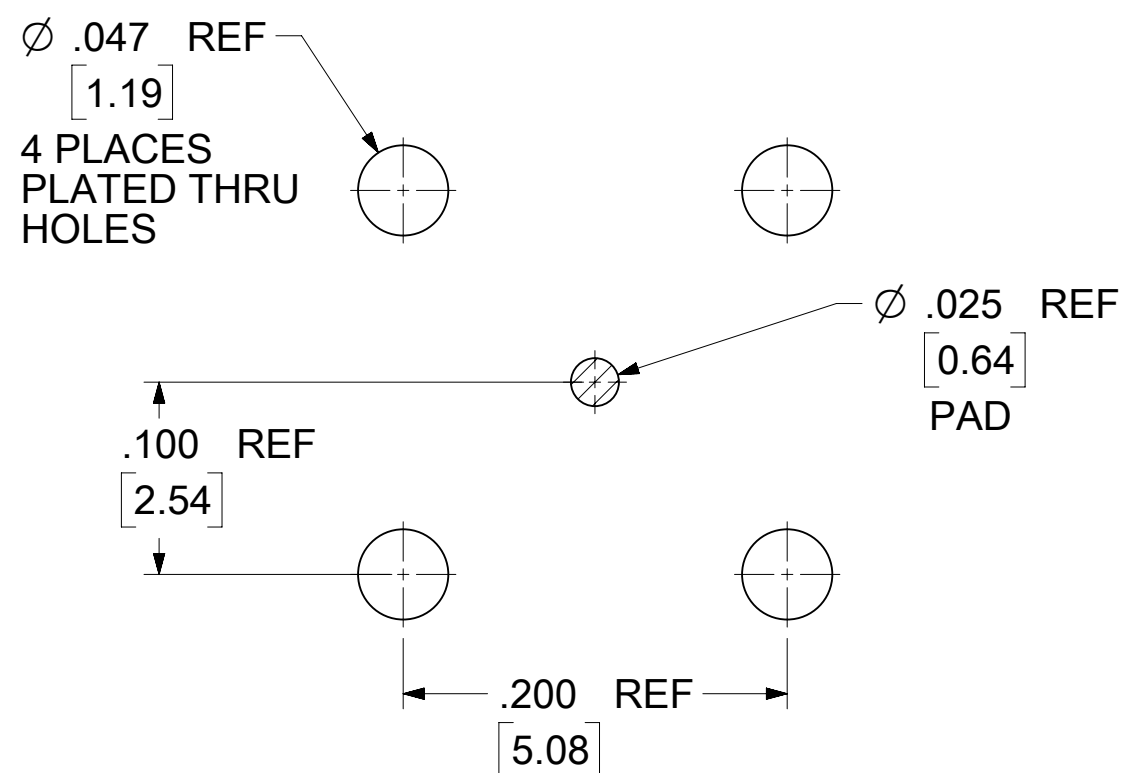
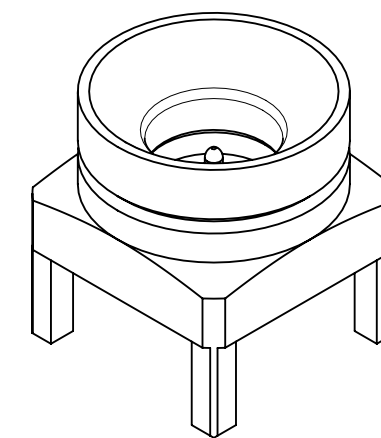


MATERIALS AND FINISHES:

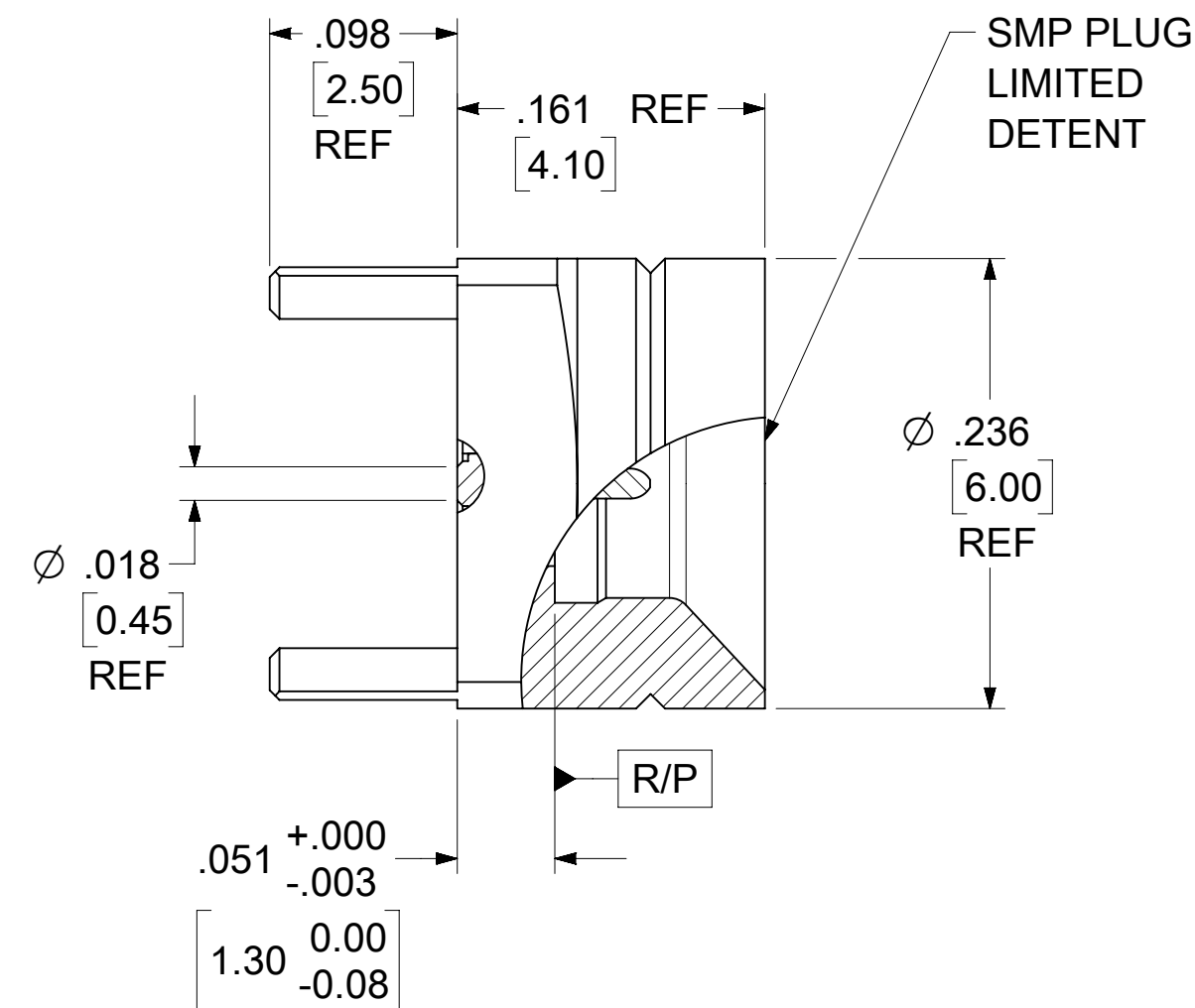
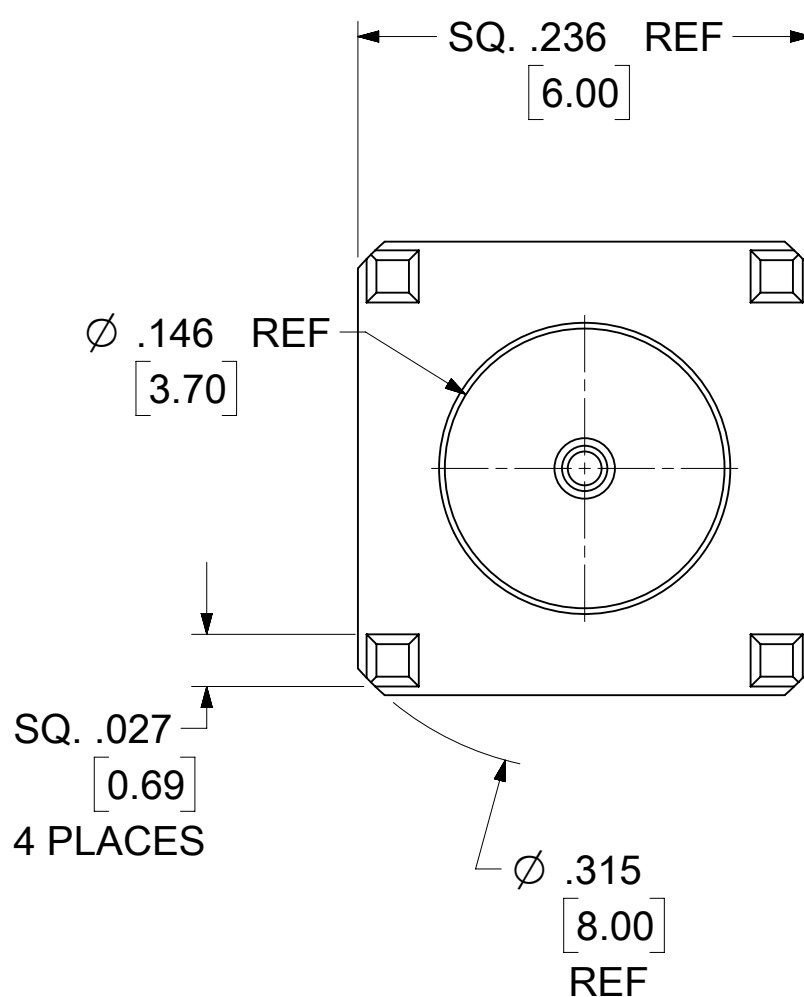
BODY: BRASS
 PLATED GOLD (8μ-in MIN)
 OVER NICKEL (80μ-in MIN)

CENTER CONTACT: BRASS
 PLATED GOLD (10μ-in MIN)
 OVER NICKEL (100μ-in MIN)

INSULATOR: PEEK



RECOMMENDED PCB LAYOUT



LABEL WITH EACH BAG
 FOR 73406-6692

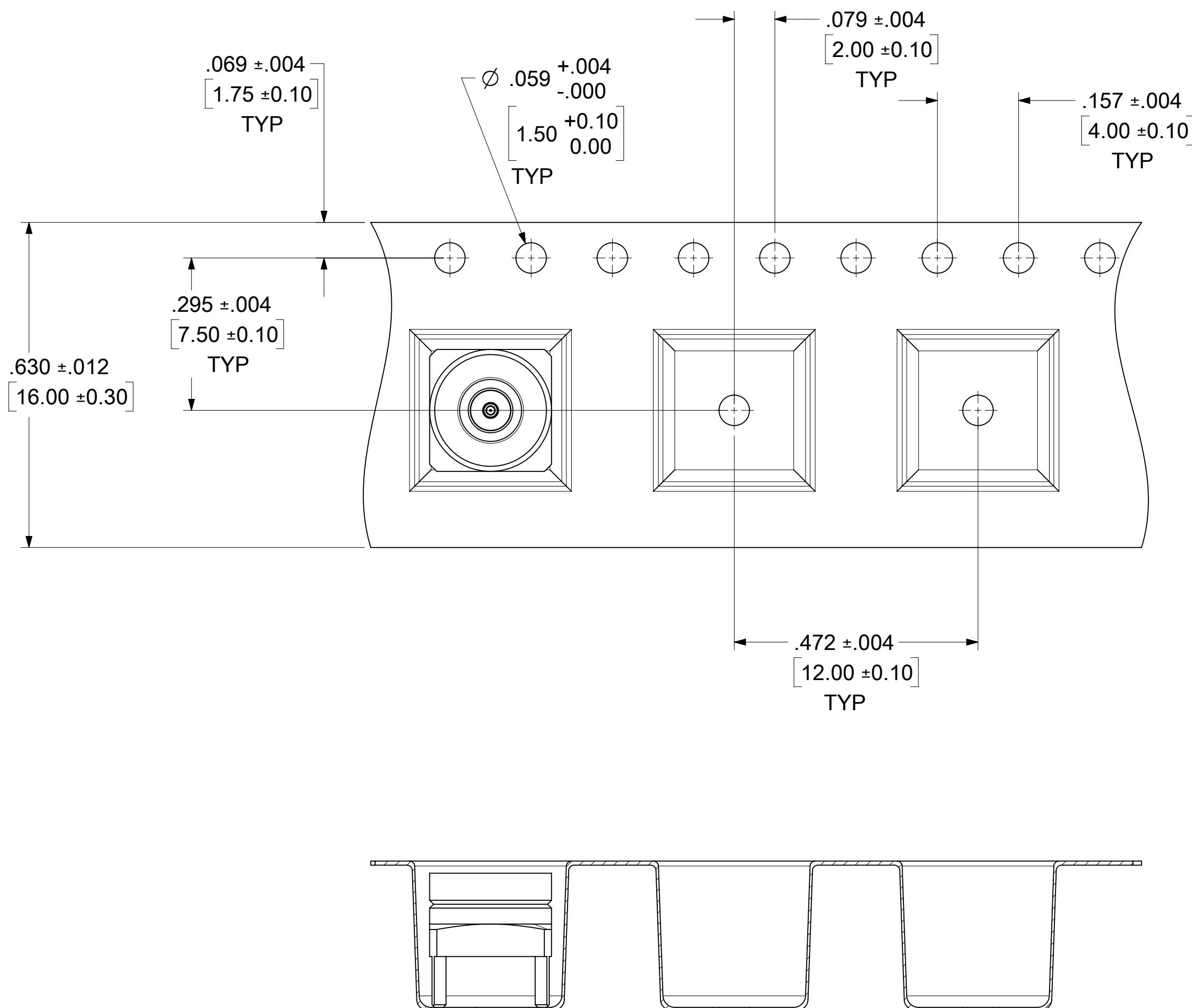
MOLEX P/N: 73406-6692
 DATE: YYWW

73406-6692	ONE PER BAG	895420470
73406-6691	TRAY	895420040
73406-6690	TAPE AND REEL	SEE SHEET 2 & 3
PART NO.	PACKAGING	PACKING SPEC

MIL-STD-348B, FIG. 326.3	INTERFACE
PS-89675-3320	PRODUCT SPECIFICATION
SPECIFICATION	DESCRIPTION

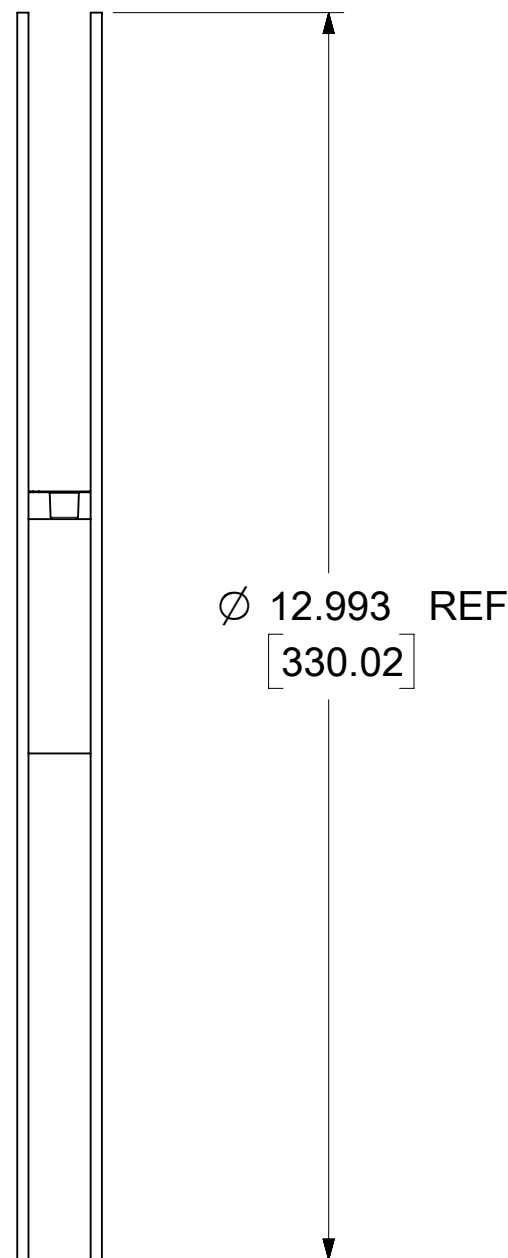
FUNCTIONAL SYMBOLS	THIS DRAWING CONTAINS INFORMATION THAT IS PROPRIETARY TO MOLEX ELECTRONIC TECHNOLOGIES, LLC AND SHOULD NOT BE USED WITHOUT WRITTEN PERMISSION									
	DIMENSION UNITS	SCALE	CURRENT REV DESC: ADD 73406-6692 FOR SMALL PACK PER EWR15321-D							molex
FA = 0	IN/MM	NTS	GENERAL TOLERANCES (UNLESS SPECIFIED)		EC NO: 718352					
FC = 0	ANGULAR TOL ± 2.0°		4 PLACES ±		DRWN: CWEI02		2022/08/16			
FD = 0	3 PLACES ±		2 PLACES ± 0.25		CHK'D: YCHENG		2022/08/23			
DIVISIONAL SYMBOLS			1 PLACE ±		APPR: YCHENG		2022/08/23			
0 PLACES ±			DRAFT WHERE APPLICABLE MUST REMAIN WITHIN DIMENSIONS		INITIAL REVISION:		2013/10/28			
THIRD ANGLE PROJECTION			DRAWING		SERIES		MATERIAL NUMBER			
C-SIZE			73406		SD-73406-669		CUSTOMER			
SEE TABLE			GENERAL MARKET		SHEET NUMBER		1 OF 3			

NOTE: 10 PITCHES CUMULATIVE TOLERANCE ± .008 (0.20)

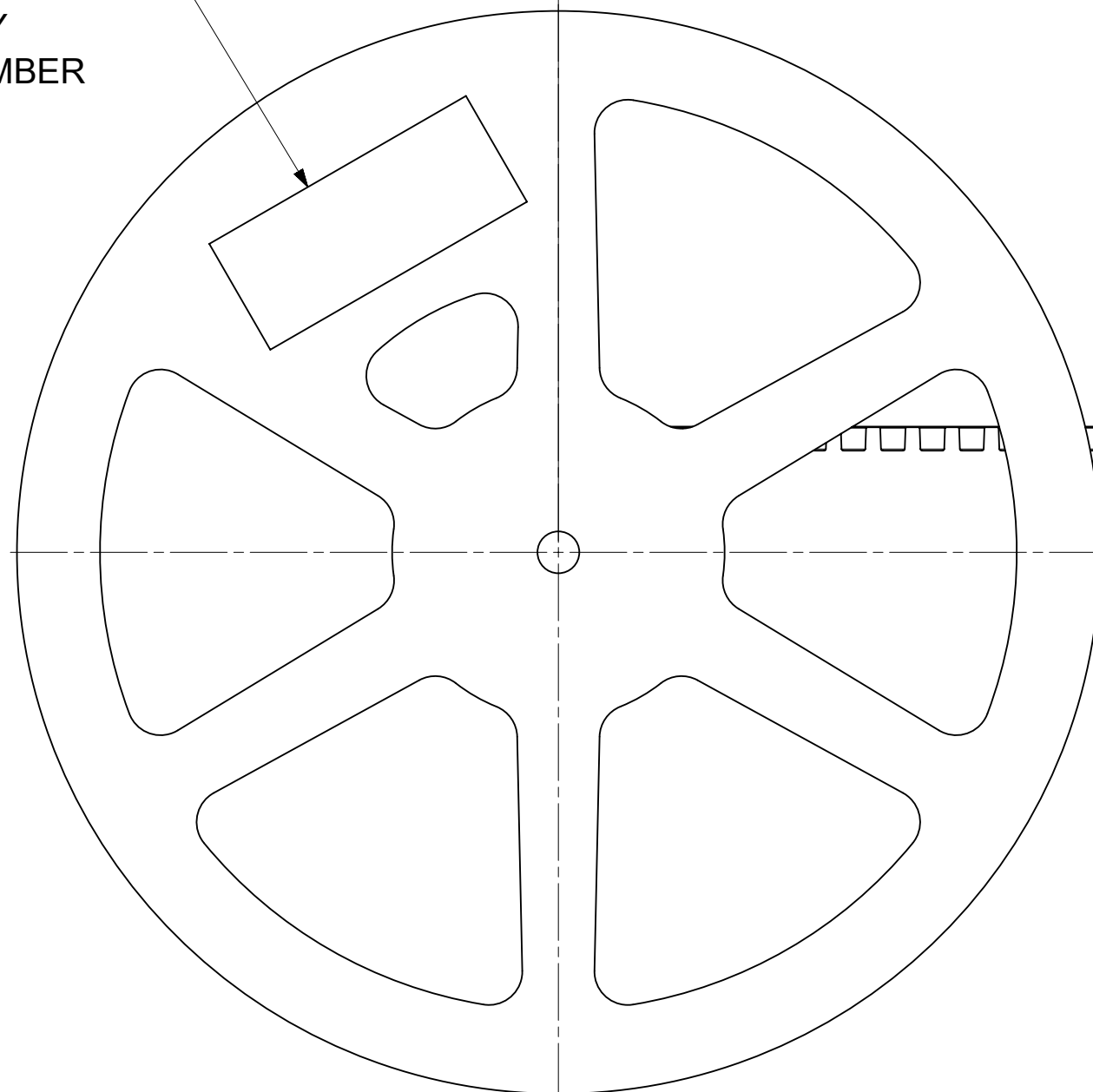


FUNCTIONAL SYMBOLS										THIS DRAWING CONTAINS INFORMATION THAT IS PROPRIETARY TO MOLEX ELECTRONIC TECHNOLOGIES, LLC AND SHOULD NOT BE USED WITHOUT WRITTEN PERMISSION																													
DIMENSION UNITS					SCALE					CURRENT REV DESC: ADD 73406-6692 FOR SMALL PACK PER EWR15321-D																													
IN/MM					NTS																																		
GENERAL TOLERANCES (UNLESS SPECIFIED)										EC NO: 718352																													
ANGULAR TOL ± 2.0°										DRWN: CWEI02					2022/08/16																								
4 PLACES ±										CHK'D: YCHENG					2022/08/23																								
3 PLACES ±										APPR: YCHENG					2022/08/23																								
2 PLACES ± 0.25										INITIAL REVISION:					DOCUMENT NUMBER					DOC TYPE					DOC PART					REVISION									
1 PLACE ±										DRWN: AROBERTSON					2013/10/28					SD-73406-669					PSD					001					B3				
0 PLACES ±										APPR: JWIENER					2013/10/30					SEE TABLE					GENERAL MARKET					SHEET NUMBER									
DRAFT WHERE APPLICABLE MUST REMAIN WITHIN DIMENSIONS										THIRD ANGLE PROJECTION					DRAWING					SERIES					MATERIAL NUMBER					CUSTOMER					SHEET NUMBER				
															C-SIZE					73406					SEE TABLE					GENERAL MARKET					2 OF 3				

DOCUMENT STATUS	P1	RELEASE DATE	2022/08/23	12:44:04
-----------------	----	--------------	------------	----------



LABEL:
-ORDER NO.
-QUANTITY
-PART NUMBER
-LOT NO.



25 EMPTY UNITS
MINIMUM

ORDER QUANTITY
PACKED WITH 750
COMPONENTS

25 EMPTY UNITS
MINIMUM

HANDLING DIRECTION →

FUNCTIONAL SYMBOLS	THIS DRAWING CONTAINS INFORMATION THAT IS PROPRIETARY TO MOLEX ELECTRONIC TECHNOLOGIES, LLC AND SHOULD NOT BE USED WITHOUT WRITTEN PERMISSION									
	DIMENSION UNITS	SCALE	CURRENT REV DESC: ADD 73406-6692 FOR SMALL PACK PER EWR15321-D							
$\frac{F}{A} = 0$	IN/MM	NTS	<p>EC NO: 718352 DRWN: CWEI02 2022/08/16 CHK'D: YCHENG 2022/08/23 APPR: YCHENG 2022/08/23</p> <p>INITIAL REVISION: DRWN: AROBERTSON 2013/10/28 APPR: JWIENER 2013/10/30</p>							
$\frac{F}{C} = 0$	GENERAL TOLERANCES (UNLESS SPECIFIED)									
$\frac{F}{P} = 0$	ANGULAR TOL ± 2.0°									
DIVISIONAL SYMBOLS	4 PLACES	±	<p>PRODUCT CUSTOMER DRAWING</p> <p>DOCUMENT NUMBER: SD-73406-669 DOC TYPE: PSD DOC PART: 001 REVISION: B3</p> <p>MATERIAL NUMBER: SEE TABLE CUSTOMER: GENERAL MARKET SHEET NUMBER: 3 OF 3</p>							
	3 PLACES	±								
	2 PLACES	± 0.25								
	1 PLACE	±								
0 PLACES	±									
DRAFT WHERE APPLICABLE MUST REMAIN WITHIN DIMENSIONS		THIRD ANGLE PROJECTION	DRAWING	SERIES						
			C-SIZE	73406						

DOCUMENT STATUS	P1	RELEASE DATE	2022/08/23	12:44:04
-----------------	----	--------------	------------	----------