

MATERIALS AND FINISHES

BODY: BERYLLIUM COPPER  
 PLATED GOLD (50μ-in MIN) OVER NICKEL (50μ-in MIN)

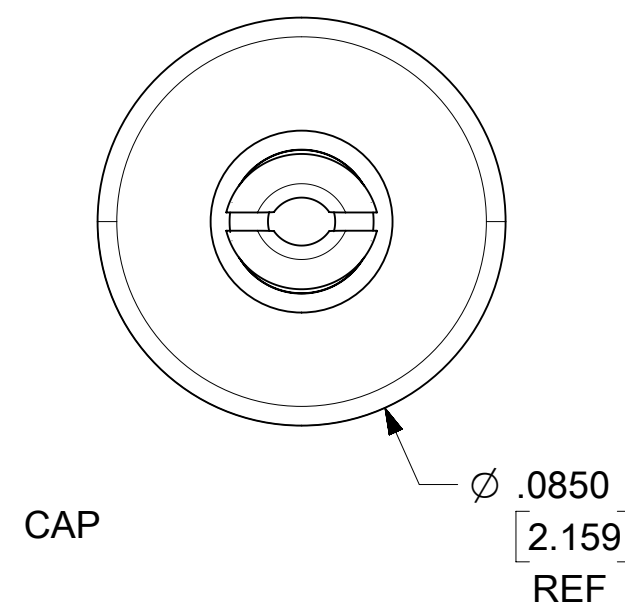
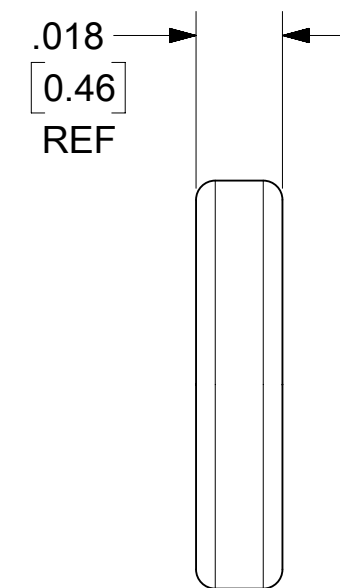
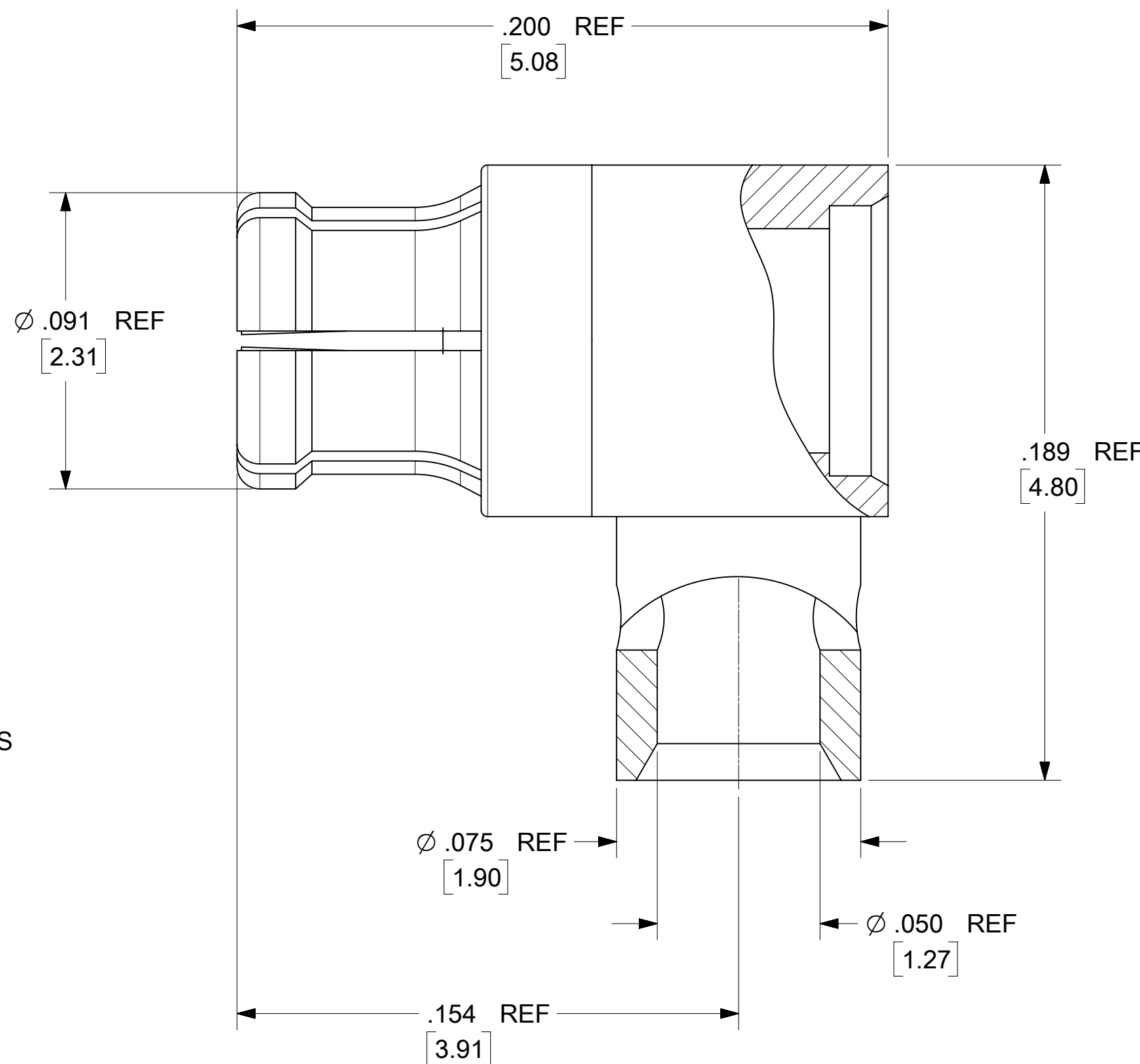
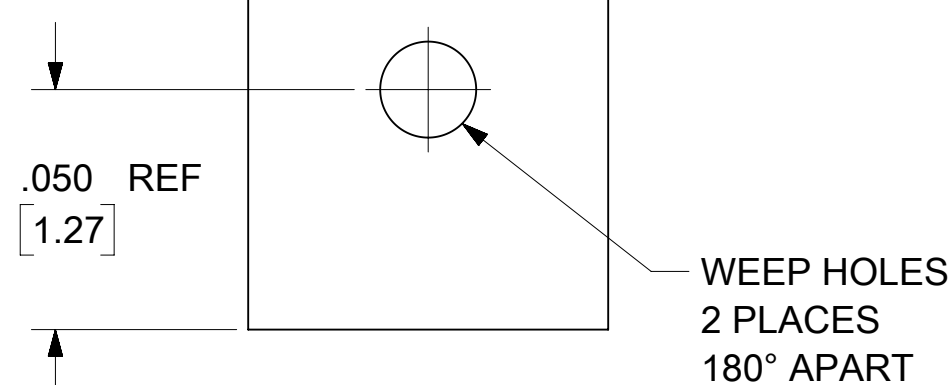
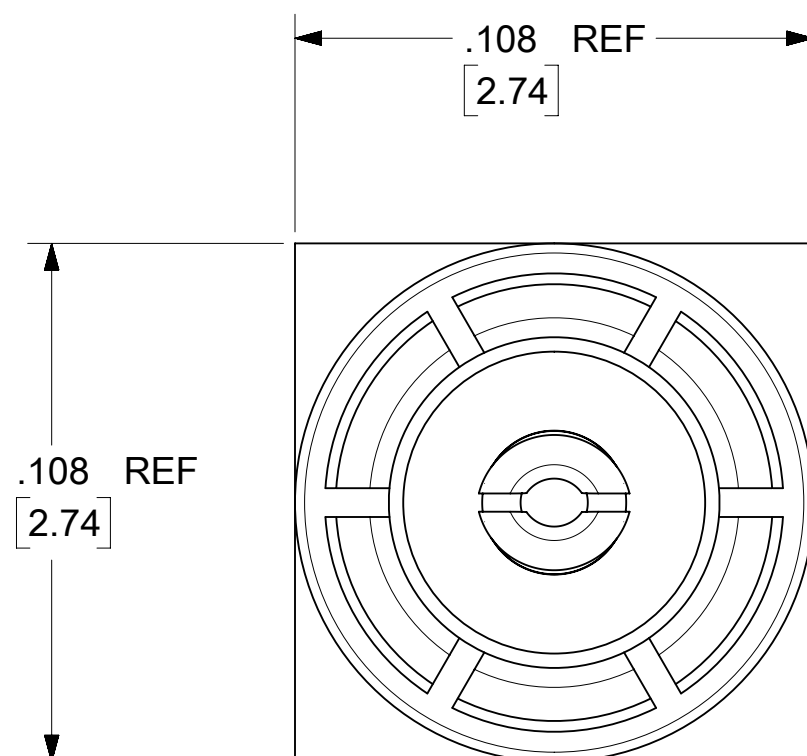
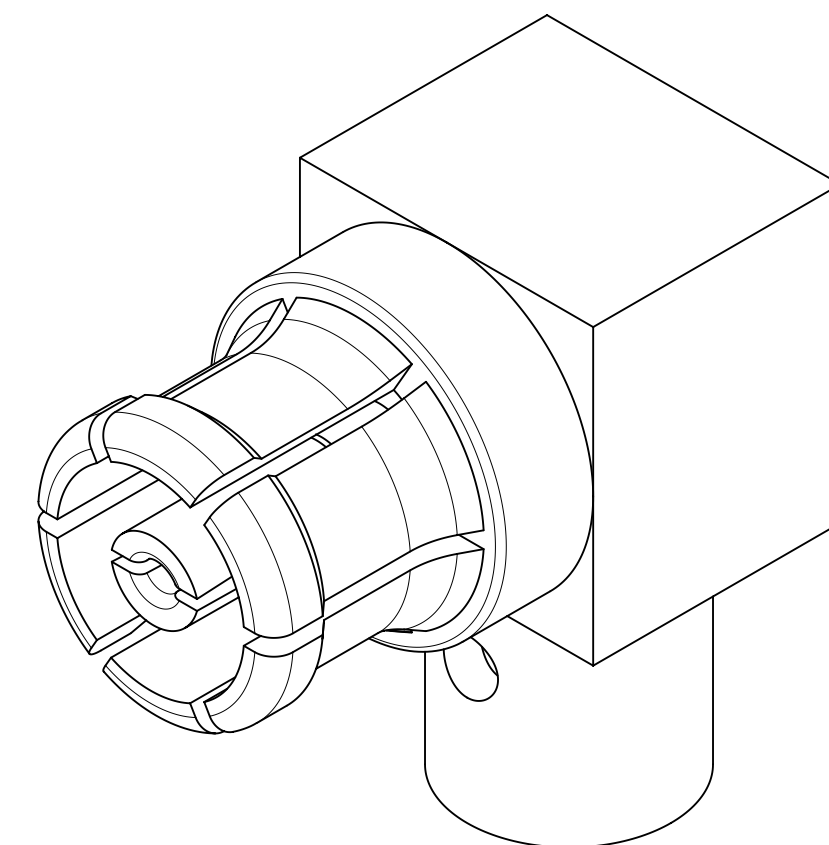
CONTACT: BERYLLIUM COPPER  
 PLATED GOLD (50μ-in MIN) OVER NICKEL (100μ-in MIN)

CAP: BRASS  
 PLATED GOLD (30μ-in MIN) OVER NICKEL (30μ-in MIN)

INSULATOR: PTFE

ELECTRICAL

VSWR: 1.30 MAX < 18 GHz  
 1.50 MAX 18.0 - 26.5 GHz



047 CABLE

73300-0160	TRAY
PART NO	PACKAGING

AS-89675-5100	APPLICATION SPECIFICATION
PS-89675-3730	PRODUCT SPECIFICATION
MIL-STD-348, FIG. 328.1	INTERFACE
SPECIFICATION	DESCRIPTION

RELEASE STATUS | P1 | RELEASE DATE | 01.08.2017 21:33:44

THIS DRAWING CONTAINS INFORMATION THAT IS PROPRIETARY TO MOLEX ELECTRONIC TECHNOLOGIES, LLC AND SHOULD NOT BE USED WITHOUT WRITTEN PERMISSION

QUALITY SYMBOLS ▽ = 0 ▽ = 0 ▽ = 0 ▽ = 0 ▽ = 0 ▽ = 0 ▽ = 0 ▽ = 0 ▽ = 0 ▽ = 0 ▽ = 0 ▽ = 0	MIGRATED AND REVISED EC NO: 118888 DRWN: BSHAH CHKD: REV / APPR: AROBERTSON	2017/06/08 2017/08/01	GENERAL TOLERANCES (UNLESS SPECIFIED)		DIMENSION UNITS	SCALE	
				MM	INCH	INCH	NTS
			4 PLACES	±	±	JLEE02	2013/06/24
			3 PLACES	±	± 0.005	CHK'D BY	DATE
			2 PLACES	± 0.13	± 0.01	SSS	2013/06/24
			1 PLACES	± 0.25	±	APPR BY	DATE
			0 PLACES	±	±	JWIENER	2013/07/23
			ANGULAR TOL = 2.0		DRAWING SIZE	THIRD ANGLE PROJECTION	
			DRAFT WHERE APPLICABLE MUST REMAIN WITHIN DIMENSIONS		C		

SERIES: 73300 MATERIAL NUMBER: SEE TABLE CUSTOMER:		
DOCUMENT NUMBER: SD-73300-016	DOC TYPE: PSD	DOC PART: 001
SHEET NUMBER: 1 OF 1		