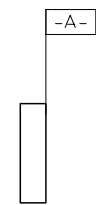
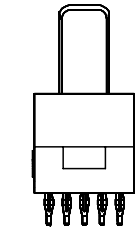
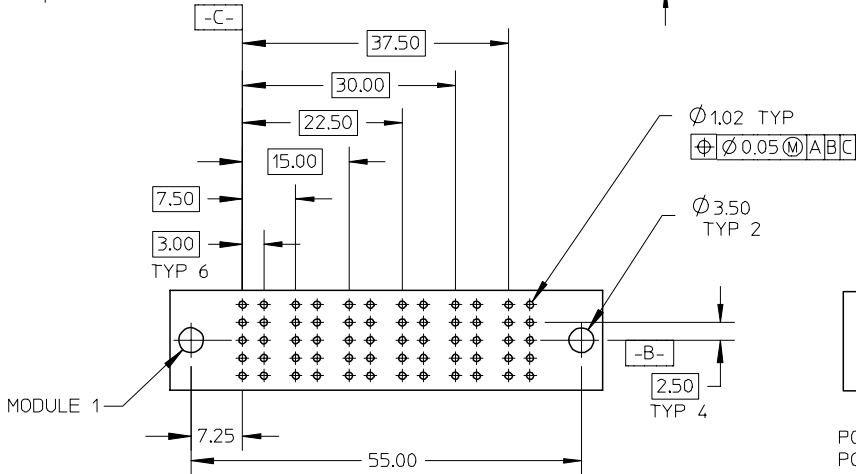
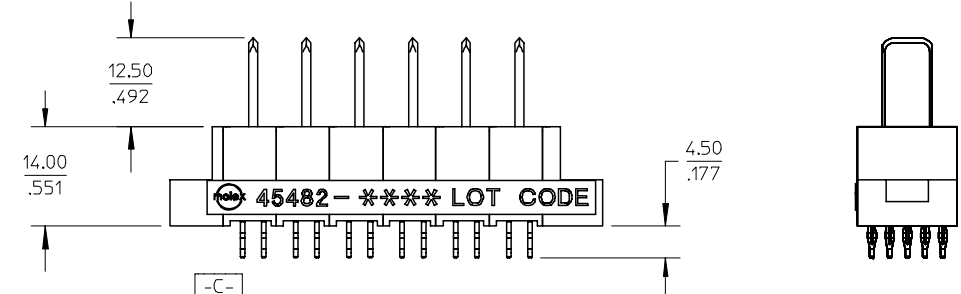
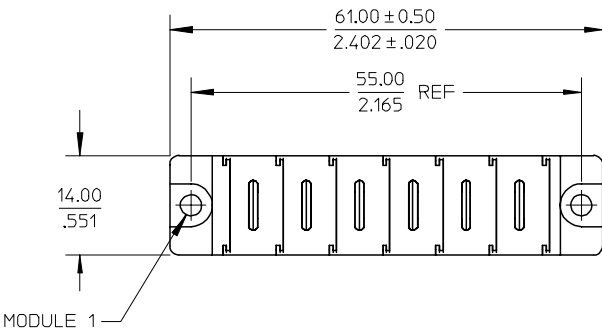
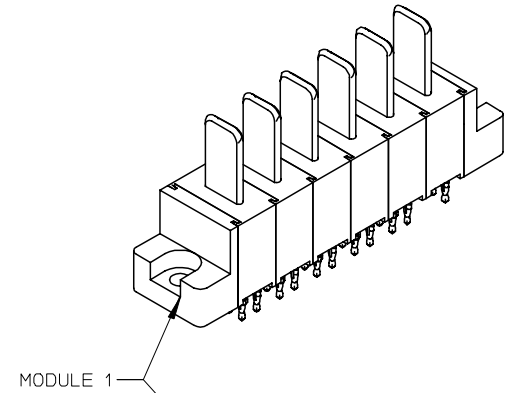


6 5 4 3 2 1



PCB LAYOUT: COMPONENT SIDE
PCB THKNESS: 2.36 MIN



- NOTES:
1. MATERIAL: LCP, GLASS FILLED, UL94V-0, BLACK
CONTACTS: COPPER ALLOY
 2. FINISH: SELECT GOLD: 30 MI MIN.
SELECT TIN: 100 MI MIN.
BOTH OVER NICKEL
 3. PRODUCT SPECIFICATION: PS-45424-001.
 4. PACKAGING SPECIFICATION: PK-45482-001.
 5. PCB HOLE SPECIFICATION: PS-45424-001.
 6. PARTS MAY BE BUILT FROM EITHER SINGLE CKT OR MULTI-CKT MODULES.
 7. THIS PART CONFORMS TO CLASS B REQUIREMENTS OF COSMETIC SPEC PS-45499-002.

PD 500	PD 202	PD 202	PD 202	PD 202	PD 202	PD 202	PD 501
--------	--------	--------	--------	--------	--------	--------	--------

2006/11/20
INITIAL RELEASE
EC NO: UCP2007-1166
DRWN: JSCHAFFER
CHKD: APATEL
APPR: APATEL
2006/11/21
2006/11/21

QUALITY SYMBOLS	DESCRIPTION
▽=0	
▽=0	

GENERAL TOLERANCES (UNLESS SPECIFIED)	
	mm INCH
4 PLACES	± --- ± ---
3 PLACES	± --- ± .010
2 PLACES	± 0.25 ± .015
1 PLACE	± 0.38 ± ---
ANGULAR ± 1/2°	
DRAFT WHERE APPLICABLE MUST REMAIN WITHIN DIMENSIONS	

DIMENSION STYLE MM/IN	
DRAWN BY	DATE
JSCHAFFER	
CHECKED BY	DATE
APATEL	
APPROVED BY	DATE
APATEL	
MATERIAL NO.	
454820142	
SIZE	
A	

SCALE 1:1	DESIGN UNITS METRIC	THIRD ANGLE PROJECTION
TITLE POWER DOCK ASSEMBLY POWER VERTICAL CPI		
MOLEX INCORPORATED		
DOCUMENT NO. SD-45482-0142	SHEET NO. 1 OF 1	

5 4 3 2 1