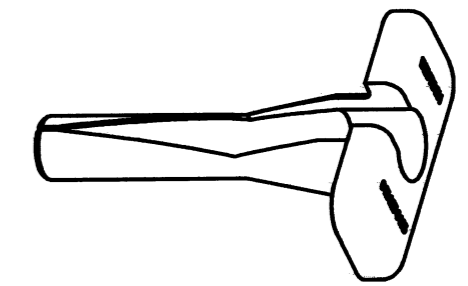
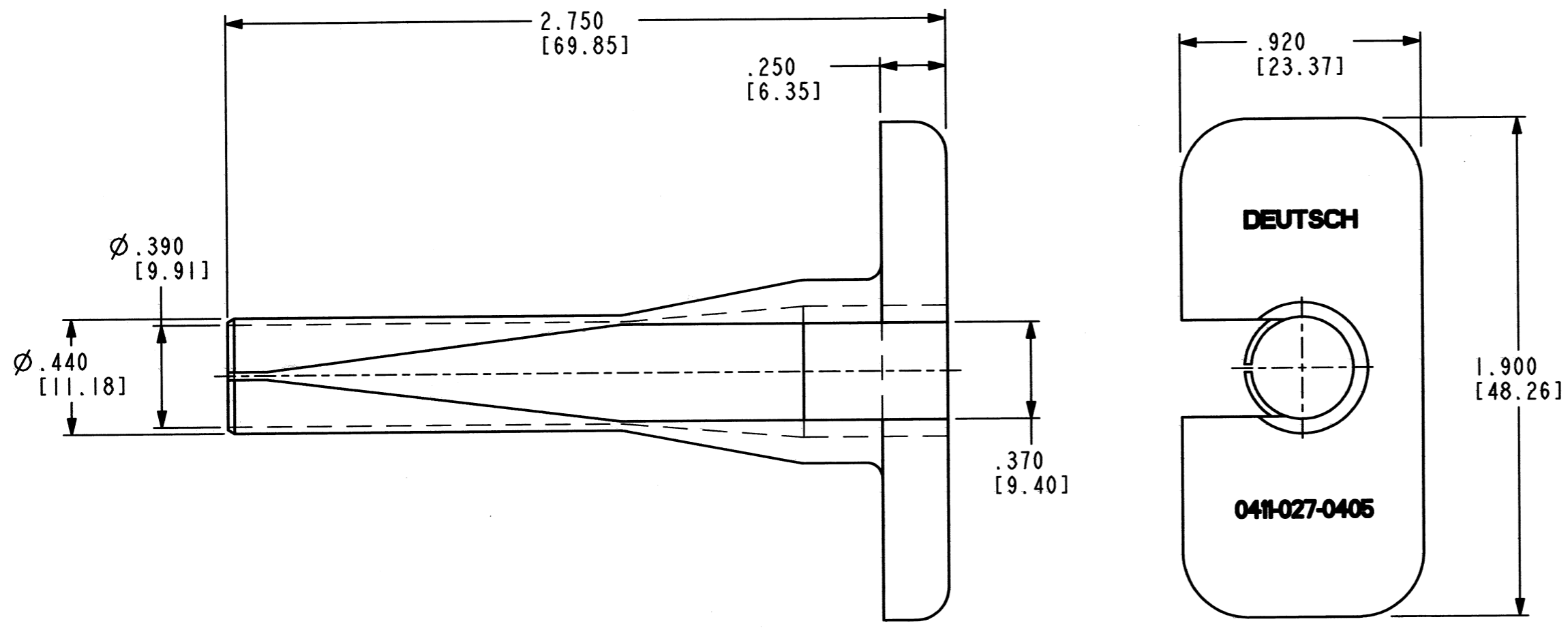


REV	
A	0411-027-0405

REVISIONS			
SYM	DESCRIPTION	DATE	APPROVED
NC	NEW RELEASE PER E.O. P20760	1/10/11	R.D.R.
A	REVISED PER E.O. P20839	3-9-11	RDR




3-D VIEW

3. MATERIAL: PLASTIC, COLOR: BLACK
 2. ALL DIMENSIONS ARE IN INCHES [mm]
 NOTES: 1. TOLERANCE ±.025 [±.63 mm]

SIGNATURE & DATE	
DR	I. GRANTCHAROVA 1/3/11
CHK	B. B. 3/09/2011
PE	3/17/11
APPD	3/8/11
SCALE	NONE
WT	

EXTRACTION TOOL
 SIZE 4
 -C038 MOD

ENVELOPE

EP	MATL. CODE
 3850 INDUSTRIAL AVE. HEMET, CA 92545	
B	0411-027-0405
DWG SIZE	CODE 11139 SHEET OF