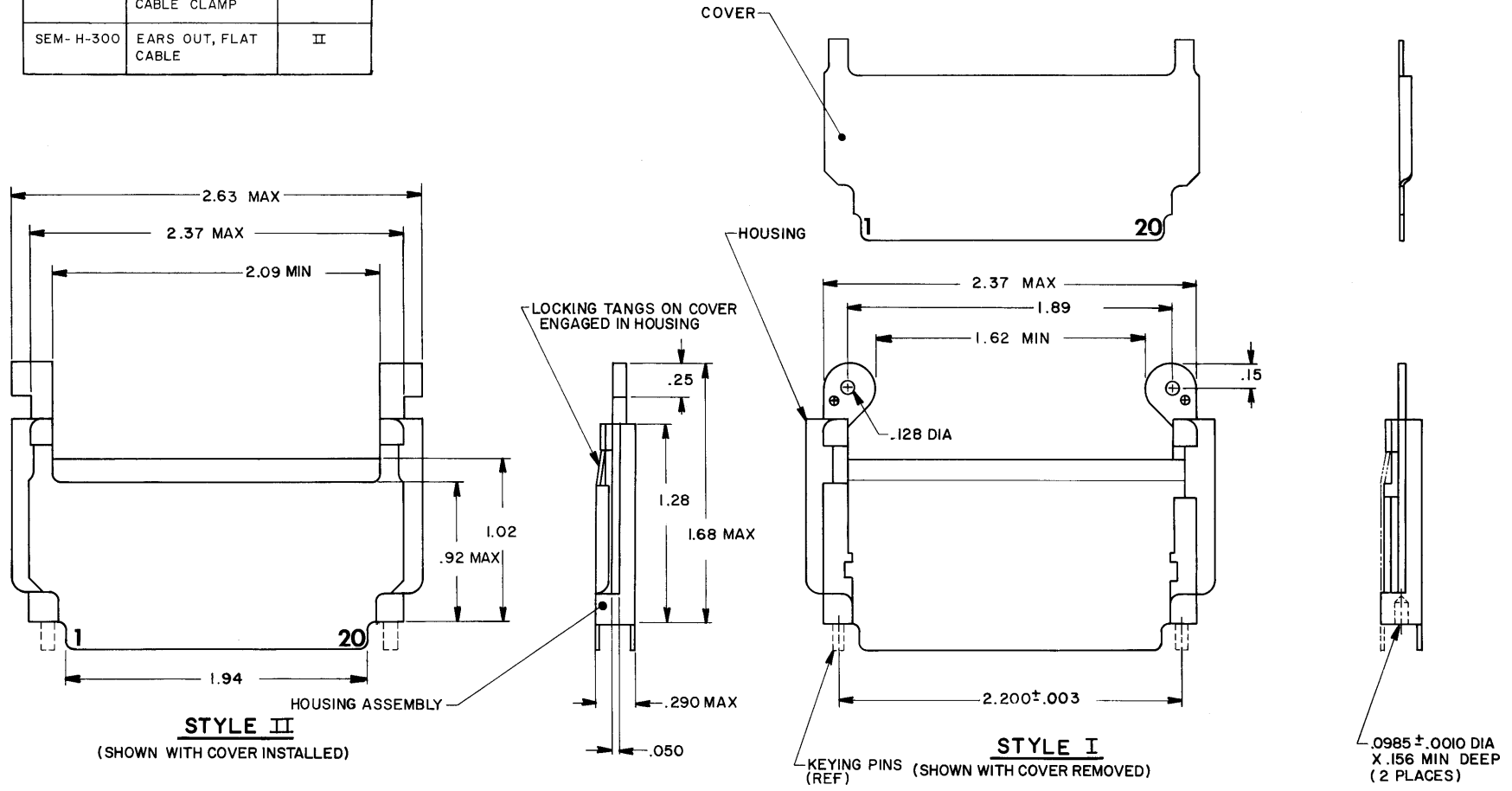


PART NO.	DESCRIPTION	STYLE
SEM-H-100	EARS IN, W/O CABLE CLAMP	I
SEM-H-200	EARS IN, WITH CABLE CLAMP	I
SEM-H-300	EARS OUT, FLAT CABLE	II

REVISIONS			
LTR	DESCRIPTION	DATE	APPROVED
F	REVISED PER LINT-016302	9/19/79	JB



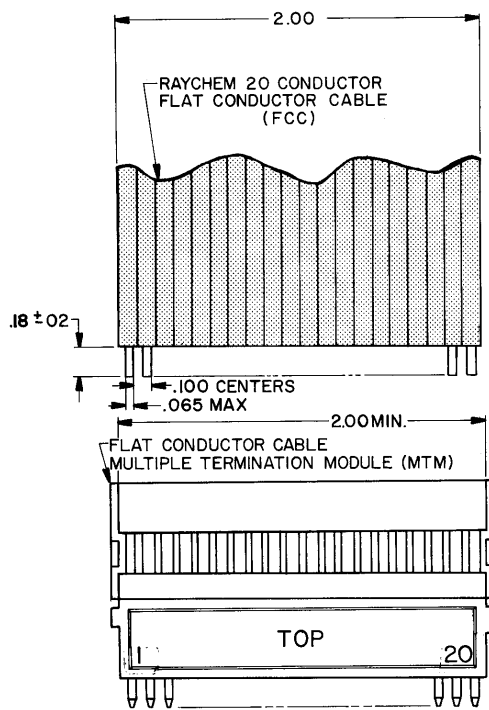
- NOTES:
1. HOUSING ASSEMBLY INCLUDES COVER.
  2. EXCEPT AS INDICATED, HOUSING STYLES ARE IDENTICAL IN BOTH INTERNAL AND EXTERNAL DIMENSIONS.

If this document is printed it becomes uncontrolled.  
Check with the web for latest revision.

**SPECIFICATION CONTROL DRAWING**

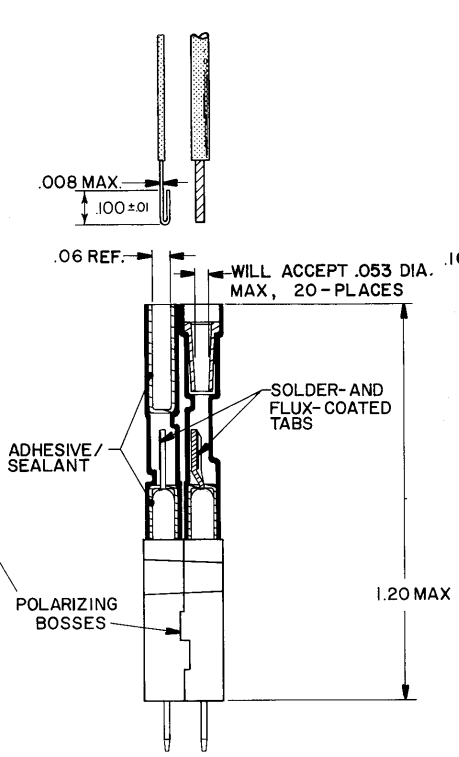
DRAWN	V.D.T.	6-19-75	RAYCHEM © Raychem Corporation 1975	
CHECKED	<i>R.M. Keel</i>	8-5-75	RAYCHEM CORPORATION 300 CONSTITUTION DRIVE MENLO PARK, CALIFORNIA 94025	
APPROVED	<i>L.H. Ellis</i>	8-5-75	TITLE	
APPROVED			SEM CONNECTOR — HOUSING ASSEMBLY DETAIL —	
APPROVED				
PART NUMBER		SIZE	CODE IDENT	DWG. NO.
		C	NO. 06090	SEM-X-XXX
PROJECT		SCALE	WEIGHT	SHEET   OF 6

REVISIONS			
LTR	DESCRIPTION	DATE	APPROVED
-	SEE SHEET 1	-	-

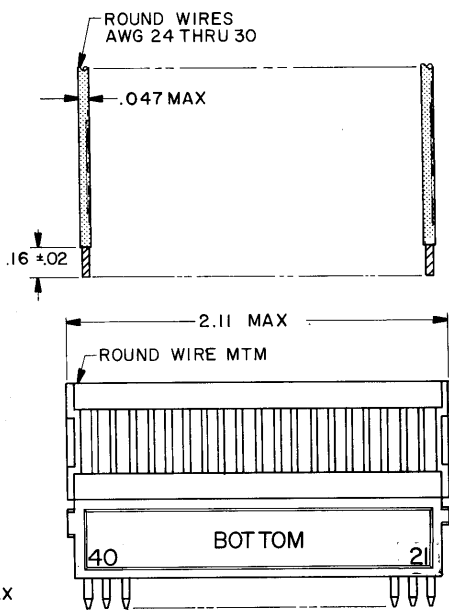


**TYPE-1 WAFER**

(TOP WAFER SHOWN FOR REFERENCE)

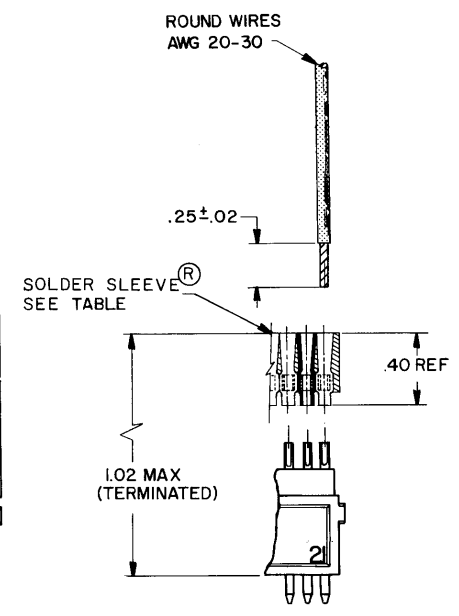


**WAFER CROSS-SECTION**



**TYPE-2 WAFER**

(BOTTOM WAFER SHOWN FOR REFERENCE)



**TYPE-3 WAFER**

(SOLDER SLEEVE<sup>®</sup> TERMINATIONS)

NOTES:

1. TYPES 1 & 2— WAFERS ARE SUPPLIED WITH MTM PRE-INSTALLED.
2. FOR ACCOMMODATION OF DIFFERENT WIRE OR CABLE SIZES, CONSULT FACTORY.

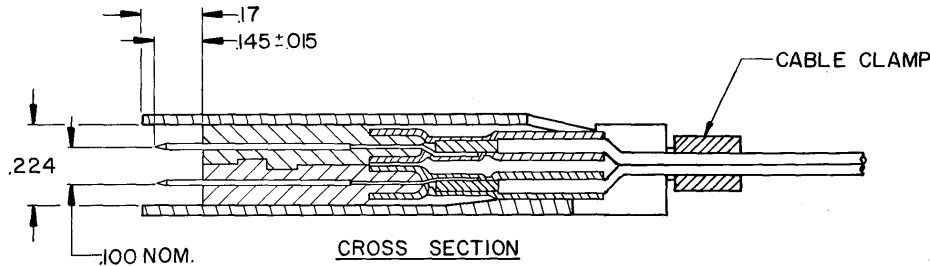
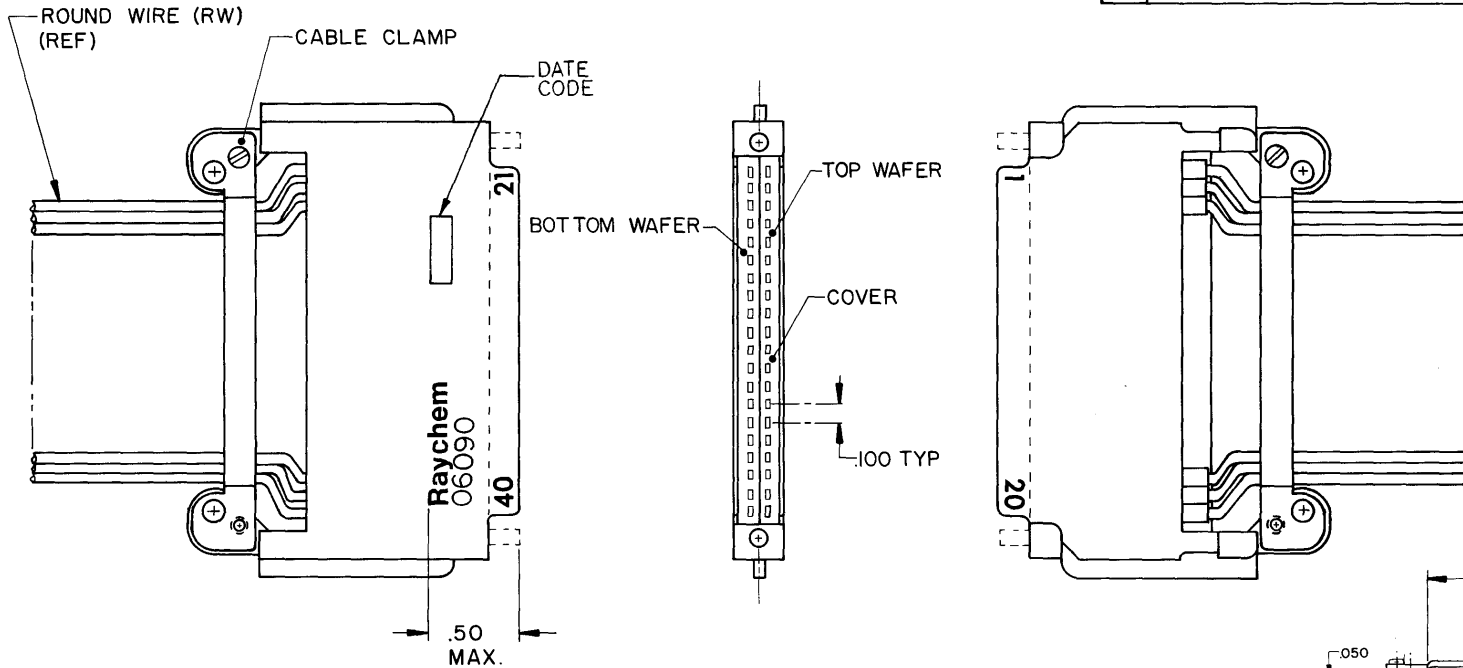
**If this document is printed it becomes uncontrolled.  
Check with the web for latest revision.**

AWG.	SOLDER SLEEVE
24-30	CTA 0050
20-22	CTA 0051

TYPE	DESCRIPTION	PART NO.	
		TOP	BOTTOM
1	FLAT CONDUCTOR CABLE - MTM	SEM-T-010	SEM-B-001
2	ROUND WIRE MTM	SEM-T-020	SEM-B-002
3	ROUND WIRE WITHOUT SOLDER SLEEVES	SEM-T-030	SEM-B-003
3	ROUND WIRE CTA 0050 SLEEVES	SEM-T-040	SEM-B-004
3	ROUND WIRE CTA 0051 SLEEVES	SEM-T-050	SEM-B-005

DRAWN	V. D.T.	6-19-75	RAYCHEM		© Raychem Corporation 1975 RAYCHEM CORPORATION 300 CONSTITUTION DRIVE MENLO PARK, CALIFORNIA 94025	
CHECKED	<i>R.M. Reed</i>	8-5-75	TITLE			
APPROVED	<i>L.H. S.L.</i>	8-5-75	<b>SEM CONNECTOR -WAFER DETAIL-</b>			
APPROVED						
APPROVED						
PART NUMBER			SIZE	CODE IDENT	DWG. NO.	SEM-X-XXX
			C	NO 06090		
PROJECT			SCALE	WEIGHT	SHEET	2 OF 6

REVISIONS			
LTR	DESCRIPTION	DATE	APPROVED
	SEE SHEET I.		



STYLE I CONNECTORS			
CONNECTOR ASSEMBLY	TOP WAFER (TYPE)	BOTTOM WAFER (TYPE)	CABLE CLAMP
SEM-A-111	1	1	NO
SEM-A-122	2	2	NO
SEM-A-133	3	3	NO
SEM-A-144	3	3	NO
SEM-A-155	3	3	NO
SEM-A-222	2	2	YES
SEM-A-233	3	3	YES
SEM-A-244	3	3	YES
SEM-A-255	3	3	YES

SEM-A-111 IS A NON-STANDARD ASSEMBLY. THE SEM-A-311 (SEE SHT. 4) IS PREFERRED FOR FLAT CABLE APPLICATIONS.

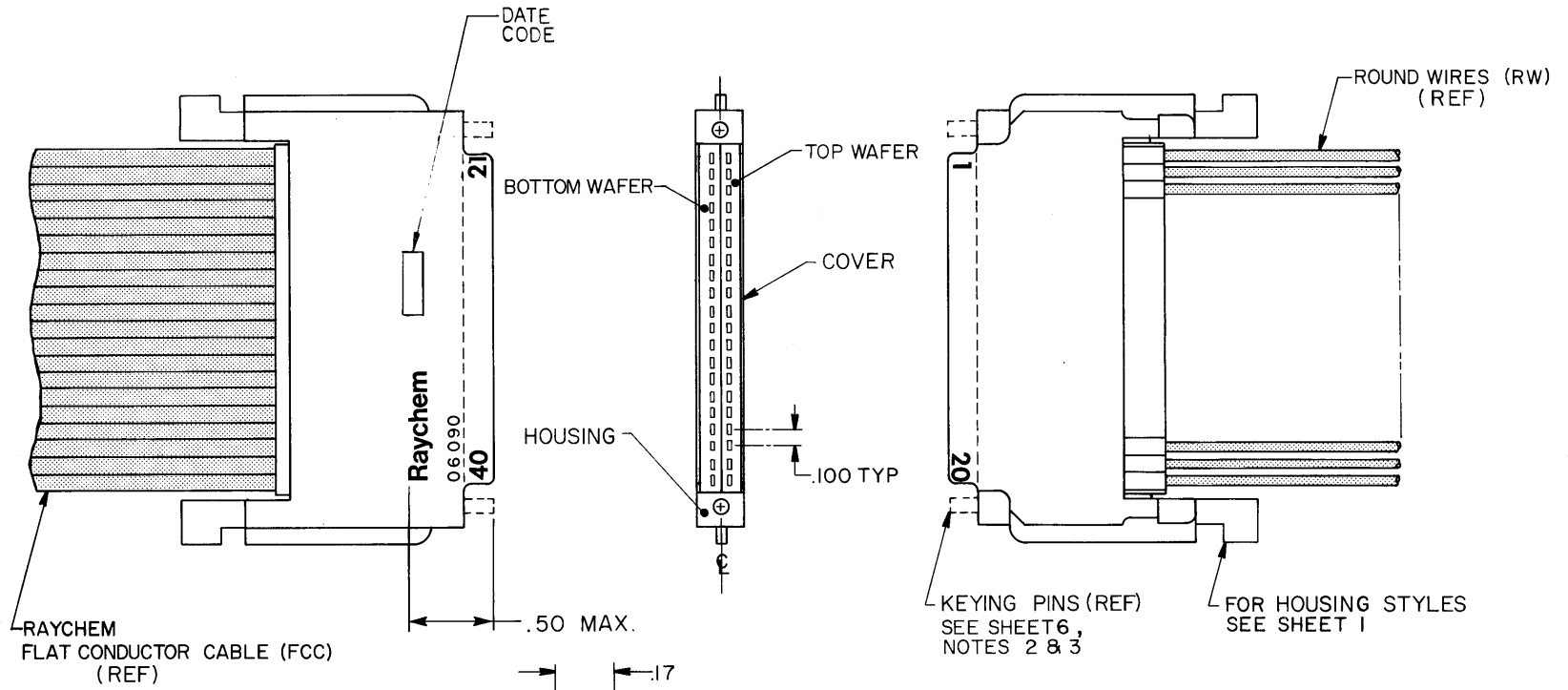
If this document is printed it becomes uncontrolled. Check with the web for latest revision.

### SPECIFICATION CONTROL DRAWING

© Raychem Corporation 1975

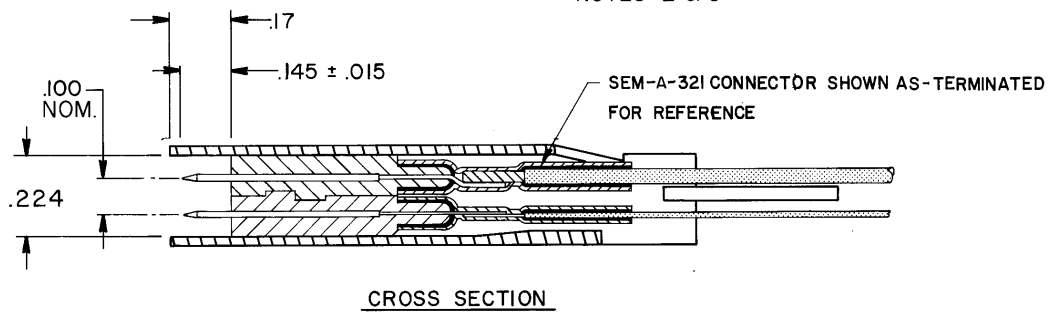
UNLESS OTHERWISE SPECIFIED DIMENSIONS ARE IN INCHES AND TOLERANCES ARE XXX -.005 XX -.01 — — —	DRAWN	BITTER	10-15-75	RAYCHEM		
	CHECKED			RAYCHEM CORPORATION 500 CONSTITUTION DRIVE MENLO PARK, CALIFORNIA 94025		
	APPROVED			TITLE SEM CONNECTOR		
MATERIAL	APPROVED			—TERMINATED ASSEMBLY— STYLE I		
FINISH	APPROVED			SIZE	CODE IDENT	DWG. NO.
	PART NUMBER			C	NO. 06090	SEM-X-XXX
	PROJECT			SCALE	WEIGHT	SHEET 3 OF 6

REVISIONS			
LTR.	DESCRIPTION	DATE	APPROVED
-	SEE SHEET I		



RAYCHEM  
FLAT CONDUCTOR CABLE (FCC)  
(REF)

STYLE II CONNECTORS		
CONNECTOR ASSEMBLY	TOP WAFER (TYPE)	BOTTOM WAFER (TYPE)
SEM-A-311	1	1
SEM-A-322	2	2
SEM-A-333	3	3
SEM-A-344	3	3
SEM-A-355	3	3



CROSS SECTION

If this document is printed it becomes uncontrolled.  
Check with the web for latest revision.

SPECIFICATION CONTROL DRAWING

DRAWN	V.D.T.	6-19-75	RAYCHEM © Raychem Corporation 1975		
CHECKED	<i>R.M. Neal</i>	8-5-75	RAYCHEM CORPORATION 300 CONSTITUTION DRIVE MENLO PARK, CALIFORNIA 94025		
APPROVED	<i>R.H. Ellis</i>	8-5-75	TITLE		
APPROVED			SEM CONNECTOR —TERMINATED ASSEMBLY— STYLE II		
APPROVED			SIZE	CODE IDENT	DWG. NO.
PART NUMBER			C	NO 06090	SEM-X-XXX
PROJECT			SCALE	WEIGHT	SHEET 4 OF 6

CONNECTOR SPECIFICATION

REVISIONS		
LTR	DESCRIPTION	DATE
	SEE SHEET 1	-----

NOTE: CONNECTOR IS DESIGNED TO MEET THE APPLICABLE REQUIREMENTS OF MIL-C-28754

RATINGS:

TEMPERATURE -85 C TO +105 C  
 VOLTAGE 300 VOLTS  
 CURRENT 3.0 AMPS

MATERIALS:

HOUSING DIE CAST ALUMINUM PER QQ-A-591  
 COVER SHEET ALUMINUM PER QQ-A-250  
 WAFER RIGID THERMOPLASTIC  
 CONTACTS 1/2-HARD BRASS PER QQ-B-613, COPPER ALLOY 260  
 MTM AND SOLDER SLEEVE BODY POLYVINYLIDENE FLUORIDE (PVF<sub>2</sub>)  
 SEALING MATERIAL (MTM ONLY) THERMALLY STABILIZED THERMOPLASTIC  
 SOLDER WITH FLUX Sn63 RAP PER QQ-S-571  
 HOUSING AND COVER FINISH BLACK ANODIZED PER MIL-A-8625  
 CONTACT FINISH GOLD PLATE PER TYPE I, GRADE "C", CLASS I OF MIL-G-45204

TOOLING REQUIRED:

STRIPPER - FLAT CABLE FC-6960 STRIPPER, BENCH MODEL (OR EQUIVALENT)  
 WIRE HANDLING-S/S VERSION AS-4000 WIRE HANDLING SYSTEM WITH SEM FIXTURES  
 TERMINATION-MTM VERSIONS FC-6900 CONDUCTIVE HEATING TOOL - BENCH MODEL  
 FC-6901-16 PLATEN ASSEMBLY - FLAT CABLE  
 FC 6901-19 PLATEN ASSEMBLY - ROUND WIRES  
 TERMINATION-S/S VERSIONS AA-400 SUPERHEATER

ASSEMBLY PROCEDURE

RAYCHEM INSTRUCTIONS

MTM VERSIONS APPLICATION PROCEDURE FOR TERMINATING MTMs AND CONNECTOR WAFERS WITH BENCH MODEL HEATING TOOL

S/S VERSIONS RAYCHEM INSTRUCTIONS - AS-4000 WIRE HANDLING SYSTEM

NOTES:

- 1/ REFER TO MIL-C-28754 FOR COMPLETE DETAILS.
- 2/ TEST METHODS ARE FROM MIL-STD-202, TEST METHODS FOR ELECTRONIC AND ELECTRICAL COMPONENT PARTS.
- 3/ TEST METHODS ARE FROM MIL-STD-1344, TEST METHODS FOR ELECTRICAL CONNECTORS.
- 4/ THIS SPECIFICATION SHEET TAKES PRECEDENCE OVER THE DOCUMENTS REFERENCED HEREIN, REFERENCED DOCUMENTS SHALL BE OF THE ISSUE IN EFFECT ON THE DATE OF INVITATION FOR BID OR REQUEST FOR PROPOSAL.

If this document is printed it becomes uncontrolled.  
 Check with the web for latest revision.

SUMMARY OF TEST REQUIREMENTS 1/

DIELECTRIC WITHSTANDING VOLTAGE	METHOD 301 2/ 1000 VOLTS RMS, 60 Hz	NO BREAKDOWN OR FLASHOVER
CONTACT RESISTANCE		
RATED CURRENT	METHOD 307 2/	20 MILLIVOLTS MAXIMUM
LOW LEVEL	METHOD 3002 3/	20 MILLIVOLTS MAXIMUM
SOLDERABILITY	METHOD 208 2/ EXCEPT STEAM AGING DOES NOT APPLY	95% COVERAGE
THERMAL SHOCK	METHOD 107, COND. A 2/ EXCEPT 105 C MAXIMUM	NO PHYSICAL DAMAGE
VIBRATION	METHOD 201 2/	NO PHYSICAL DAMAGE OR LOOSENING NO DISCONTINUITY 1 MICROSECOND PASS CONTACT RETENTION, CONTACT RESISTANCE
CONTACT RETENTION	METHOD 2007 3/ 7.5 LBS. AXIAL LOAD	NO DISPLACEMENT AFTER 10 SECONDS MINIMUM DURATION
DURABILITY	500 CYCLES	PASS CONTACT RESISTANCE
SALT SPRAY	METHOD 101, COND. B (48 HRS.) 2/ EXCEPT 20% SALT SOLUTION	PASS CONTACT RESISTANCE
SHOCK (SPECIFIED PULSE)	METHOD 213, COND. B 2/ (75 G's, 6MS., HALF-SINE)	NO PHYSICAL DAMAGE
HUMIDITY	METHOD 103, COND. B 2/ (96 HRS., STEADY STATE)	50,000 MEGOHMS - BEFORE
INSULATION RESISTANCE	METHOD 302, COND. B 2/ (500 VOLTS)	18,000 MEGOHMS - AFTER 4 HRS. PER TABLE III
TERMINATION TENSILE STRENGTH	METHOD 2003 3/. 1/	
CURRENT OVERLOAD	125% RATED - 2 HOURS 150% RATED - 5 MINUTES	PASS CONTACT RESISTANCE AT RATED CURRENT

© Raychem Corporation 1975

DRAWN	V.D.T.	10-20-75	<b>Raychem</b> RAYCHEM CORPORATION 300 CONSTITUTION DRIVE MENLO PARK, CALIFORNIA 94025		
CHECKED	R.M. NOEL	10-20-75			
APPROVED	<i>[Signature]</i>	9/9/75	TITLE <b>SEM CONNECTOR</b> (SPECIFICATION SHEET)		
APPROVED	<i>[Signature]</i>				
APPROVED					
PART NUMBER	005360-5		SIZE	CODE IDENT. NO.	DWG. NO.
PROJECT			C	06090	SEM-X-XXX
			DO NOT SCALE THIS DRAWING		SHEET 5 OF 6

**SPECIFICATION CONTROL DRAWING**

4

3







2


1

REVISIONS				
ZONE	LTR	DESCRIPTION	DATE	APPROVED
—	—	SEE SHEET 1	—	—

SEM-X-A-B-C

————— BOTTOM WAFER DESIGNATOR  
 ————— TOP WAFER DESIGNATOR  
 ————— HOUSING ASSEMBLY DESIGNATOR  
 ————— END ITEM DESIGNATOR

DESCRIPTION	X	A	B	C
COMPLETE CONNECTOR ASSEMBLY	A	SEE BELOW	SEE BELOW	SEE BELOW
HOUSING ASSEMBLY STYLE I WITHOUT CABLE CLAMP	H	1	0	0
HOUSING ASSEMBLY STYLE I WITH CABLE CLAMP	H	2	0	0
HOUSING ASSEMBLY STYLE II	H	3	0	0
TOP WAFER TYPE 1	T	0	1	0
TOP WAFER TYPE 2	T	0	2	0
TOP WAFER TYPE 3 	T	0	3	0
TOP WAFER TYPE 3 	T	0	4	0
TOP WAFER TYPE 3 	T	0	5	0
BOTTOM WAFER TYPE 1	B	0	0	1
BOTTOM WAFER TYPE 2	B	0	0	2
BOTTOM WAFER TYPE 3 	B	0	0	3
BOTTOM WAFER TYPE 3 	B	0	0	4
BOTTOM WAFER TYPE 3 	B	0	0	5

 SEE SHEET 2 SOLDER SLEEVE TABLE

## NOTES:

- COVER IS SUPPLIED WITH HOUSING ASSEMBLY.
- KEYING PINS ARE NOT SUPPLIED WITH CONNECTOR.
- KEYING CODE DOES NOT FORM A PART OF THE RAYCHEM PART NUMBERING SYSTEM AND SHOULD BE OMITTED WHEN ORDERING.

- COMPLETE CONNECTORS ARE INDIVIDUALLY BAGGED AND LABELED,  
SUB-ASSEMBLIES ARE BAGGED INDIVIDUALLY AND LABELED.


- EXAMPLES OF PART NUMBERING: SEM-A-121 COMPLETE CONNECTOR WITH:

STYLE I HOUSING ASSEMBLY


TOP WAFER WITH ROUND WIRE MTM

BOTTOM WAFER WITH FLAT CABLE MTM

SEM-H-300 STYLE II HOUSING ASSEMBLY, LESS WAFERS

SEM-B-003 BOTTOM WAFER ONLY, SOLDER SLEEVE  TERMINATIONS

© Raychem Corporation 1975

DRAWN	SA. LOPEZ	7-17-78	 <small>RAYCHEM CORPORATION 300 CONSTITUTION DRIVE MENLO PARK, CALIFORNIA 94025</small>		
CHECKED					
APPROVED					
APPROVED					
TITLE			SEM CONNECTOR — PART NUMBERING —		
PART NUMBER			SIZE	CODE IDENT.	DWG. NO.
			C	NO. 06090	SEM-X-XXX
PROJECT			SCALE	WEIGHT	SHEET 6 OF 6

**If this document is printed it becomes uncontrolled.  
Check with the web for latest revision.**

SPECIFICATION CONTROL DRAWING