

# Customer Information Sheet

DRAWING No.: S1751-XX

SHEET 2 OF 2

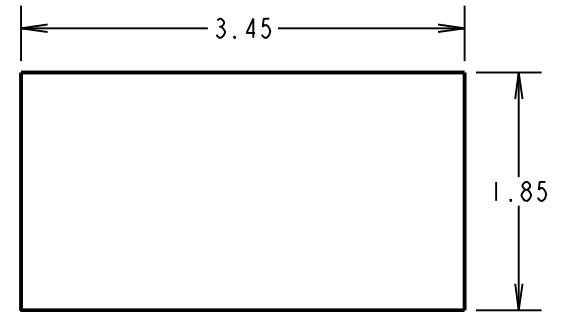
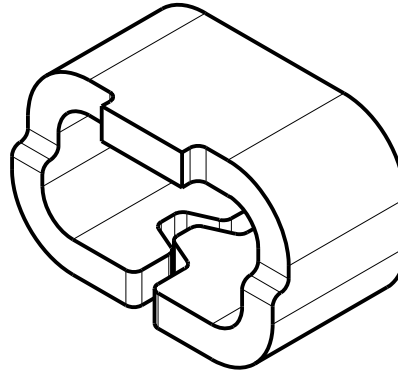
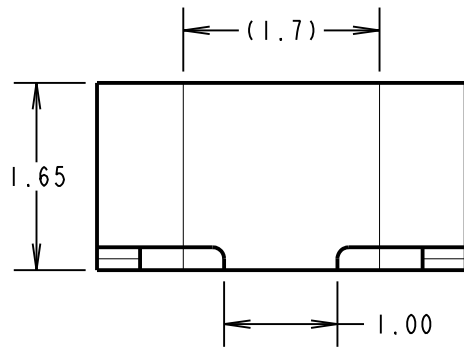
IF IN DOUBT - ASK

©

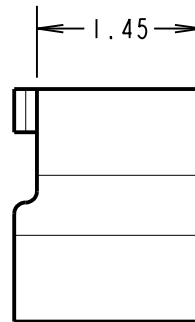
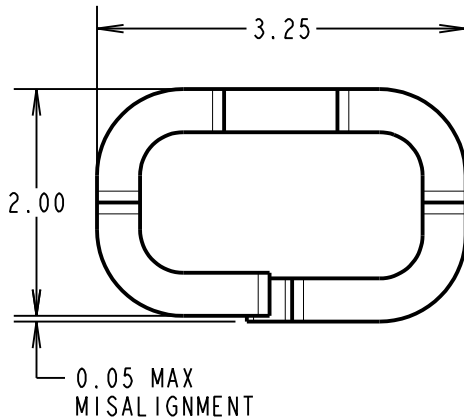
NOT TO SCALE

THIRD ANGLE PROJECTION

ALL DIMENSIONS IN mm



RECOMMENDED PAD LAYOUT



**OBSOLETE**

ORDER CODE	FINISH
<del>S1751-06</del>	<del>TIN/LEAD</del>
S1751-46	100% TIN

- NOTES:
- FOR TAPE AND REELED COMPONENTS, SEE DRAWING S1751-XXR.
  - PACKING: 1,000 PER BAG.

SPECIFICATIONS:  
 MATERIAL = BRASS  
 FINISH:  
~~06 = 4μ 90/10 TIN/LEAD~~  
 46 = 4μ 100% TIN  
 ELECTRICAL:  
 CURRENT RATING = 2A MAX  
 CONTACT RESISTANCE = 20mΩ MAX  
 ENVIRONMENTAL:  
 OPERATING TEMPERATURE = -55°C TO +125°C

MSP	7	24.10.16	20136
NAME	ISS.	DATE	C/NOTE
APPROVED:		M.PERREN	
CHECKED:		S.BENNETT	
DRAWN:		W. J. BOURNE	
CUSTOMER REF.:			
ASSEMBLY DRG:			

## HARWIN

www.harwin.com  
 technical@harwin.com

THIS DRAWING AND ANY INFORMATION OR DESCRIPTIVE MATTER SET OUT HEREON ARE CONFIDENTIAL AND COPYRIGHT PROPERTY OF THE HARWIN GROUP AND MUST NOT BE DISCLOSED, LOANED, COPIED OR USED FOR MANUFACTURING, TENDERING OR FOR ANY OTHER PURPOSE WITHOUT THEIR WRITTEN PERMISSION.

TOLERANCES  
 X. = ±1mm  
 X.X = ±0.50mm  
 X.XX = ±0.10mm  
 X.XXX = ±0.01mm  
 ANGLES = ±5°  
 UNLESS STATED

MATERIAL:

SEE ABOVE

FINISH: SEE ABOVE

S/AREA:

mm<sup>2</sup>

TITLE:

SURFACE MOUNT TEST TERMINAL (LOOSE)

DRAWING NUMBER:

S1751-XX

SHT  
 2 OF 2