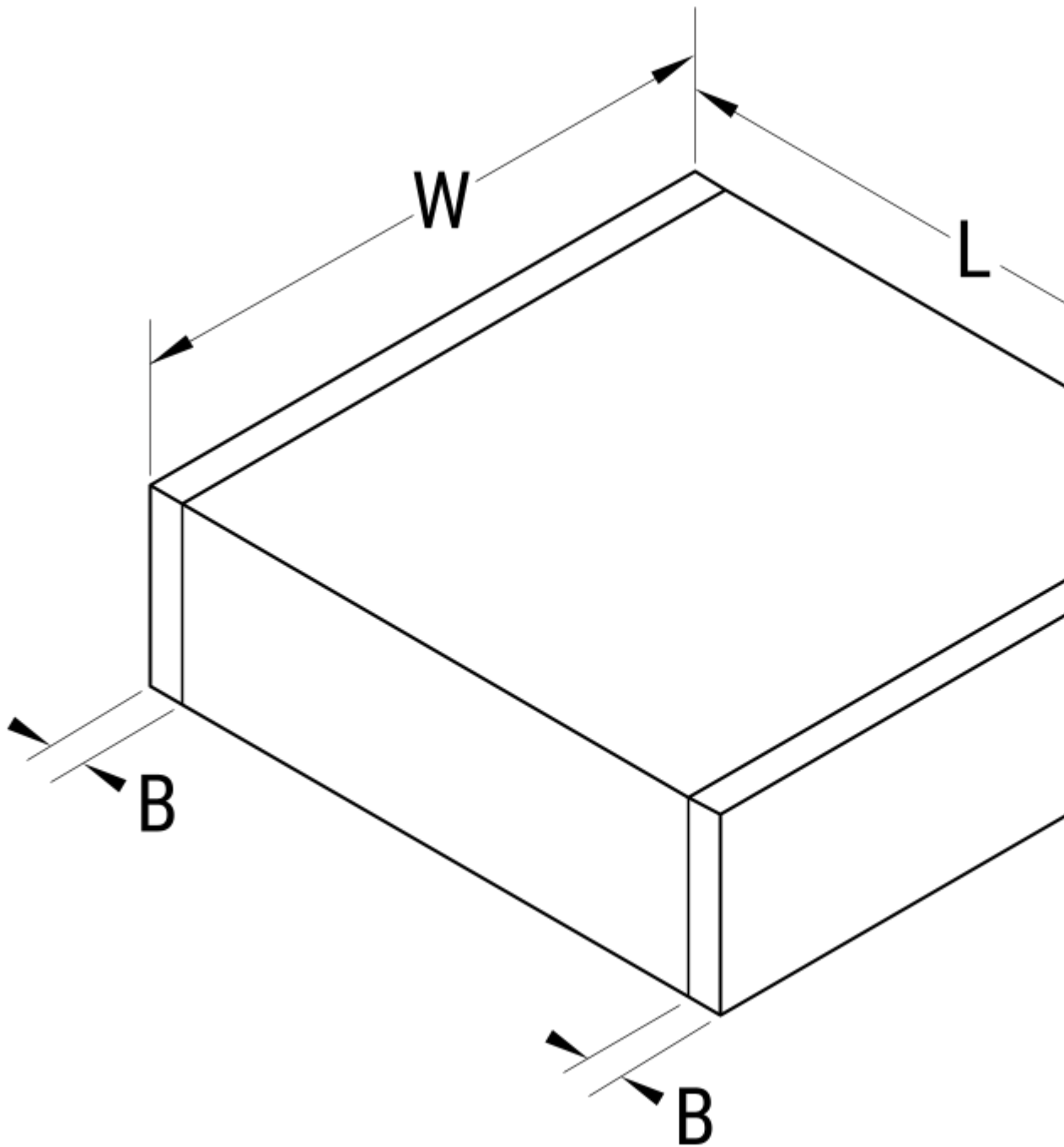


# LDEDC2680JA5N00

## Aliases (DEDC2680JA5N00)

LDE, Film, Metallized PEN Stacked, Automotive Grade, 0.068 uF, 5%, 40 VAC, 63 VDC, 125°C, 1812, 1.8mm



Click [here](#) for the 3D model.

### Dimensions

Chip Size 1812

L 4.7mm +0.3/-0.2mm

### **Dimensions**

W	3.3mm +/-0.3mm
T	1.8mm MAX
B	0.4mm +0.5/-0.3mm

### **Packaging Specifications**

Packaging	T&R
Packaging Quantity	4000

### **General Information**

Series	LDE
Dielectric	Metallized PEN Stacked
Style	SMD Chip
Features	Automotive Grade
RoHS	Yes
Qualifications	AEC-Q200
AEC-Q200	Yes
Component Weight	0.175 g
Shelf Life	104 Weeks
MSL	3

### **Specifications**

Capacitance	0.068 uF
Capacitance Tolerance	5%
Voltage AC	40 VAC
Voltage DC	63 VDC
Temperature Range	-55/+125°C
Rated Temperature	125°C
Dissipation Factor	0.8% 1kHz
Insulation Resistance	1 GOhms
Max dV/dt	100 V/us

Statements of suitability for certain applications are based on our knowledge of typical operating conditions for such applications, but are not intended to constitute - and we specifically disclaim - any warranty concerning suitability for a specific customer application or use. This Information is intended for use only by customers who have the requisite experience and capability to determine the correct products for their application. Any technical advice inferred from this Information or otherwise provided by us with reference to the use of our products is given gratis, and we assume no obligation or liability for the advice given or results obtained.

Generated 5/18/2023 - fe28e7ea-22cd-4206-8856-69614536484b

© 2006 - 2023 KEMET

Generated 5/18/2023 - fe28e7ea-22cd-4206-8856-69614536484b

© 2006 - 2023 KEMET