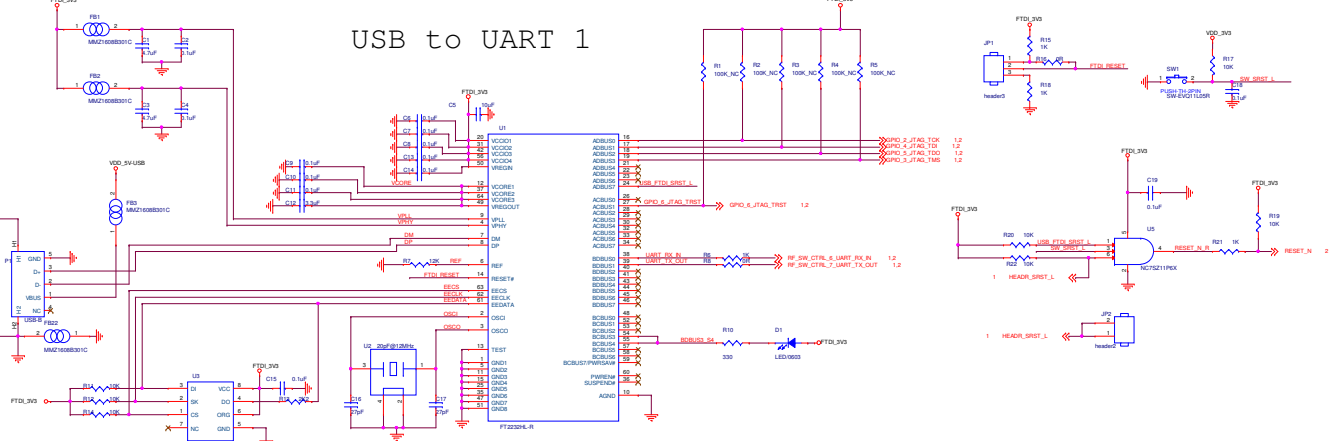
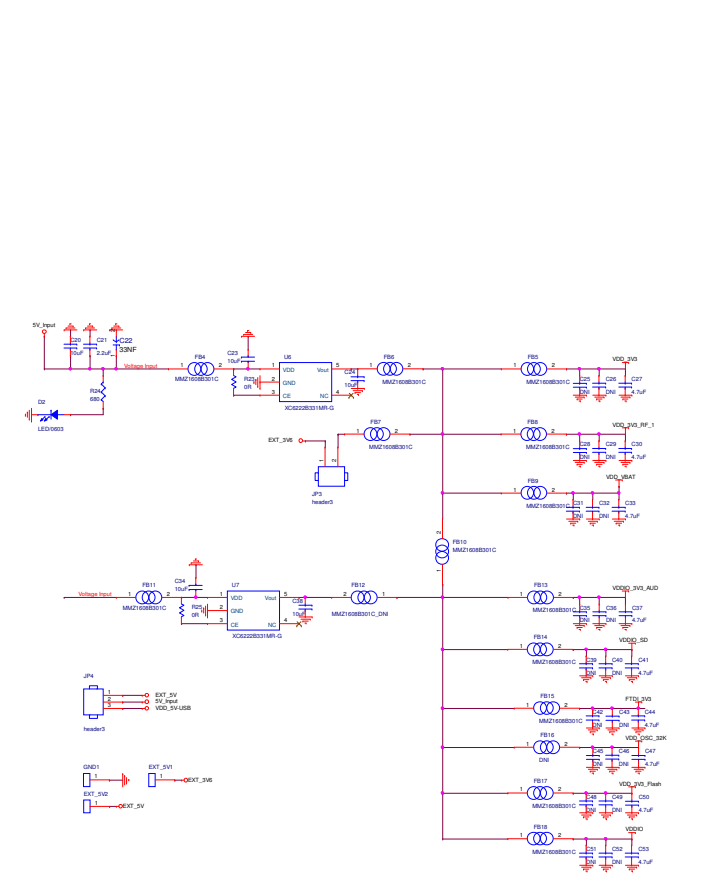
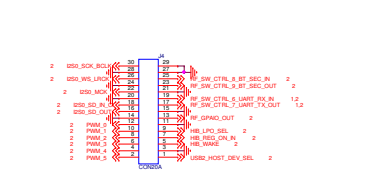
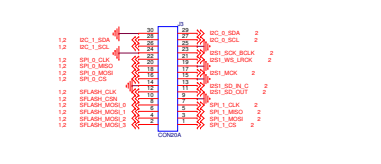
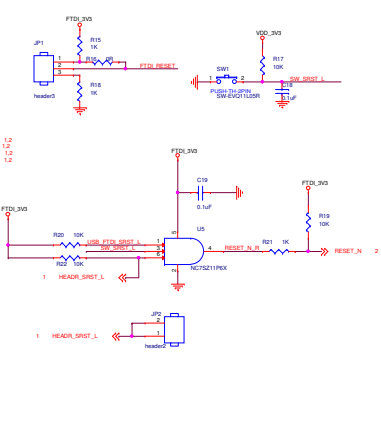
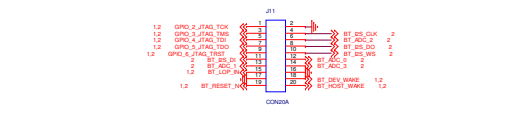
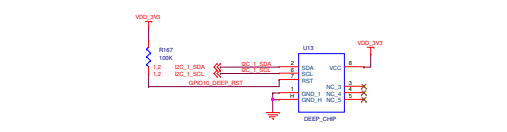
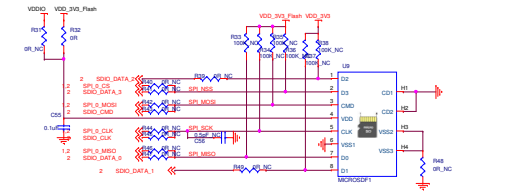
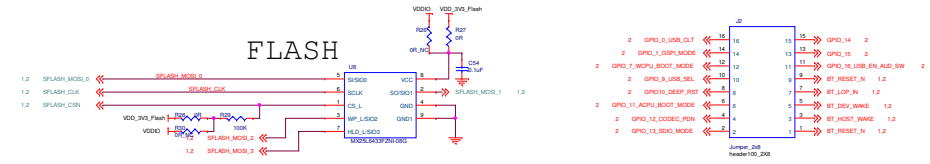


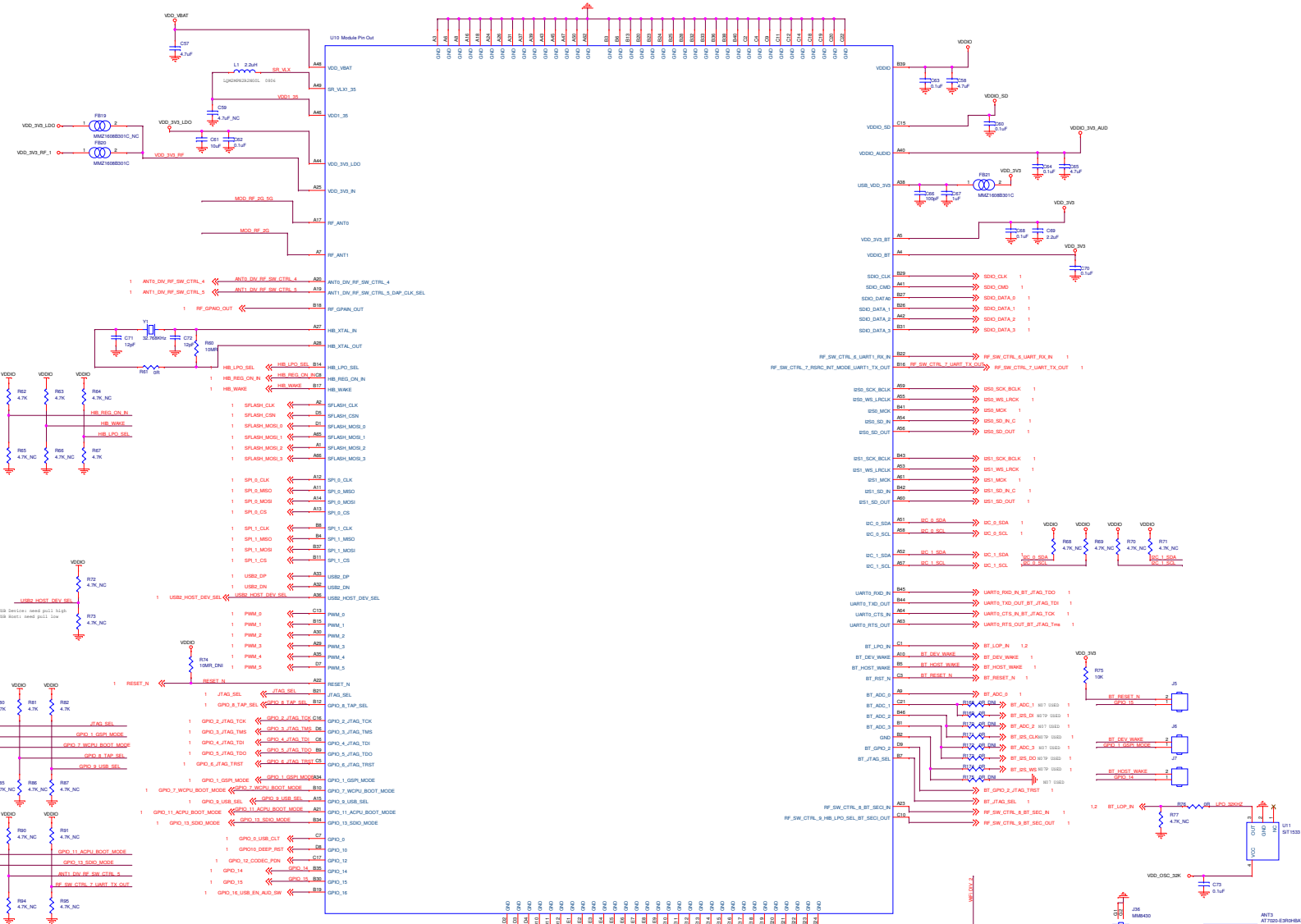
USB to UART 1



FLASH



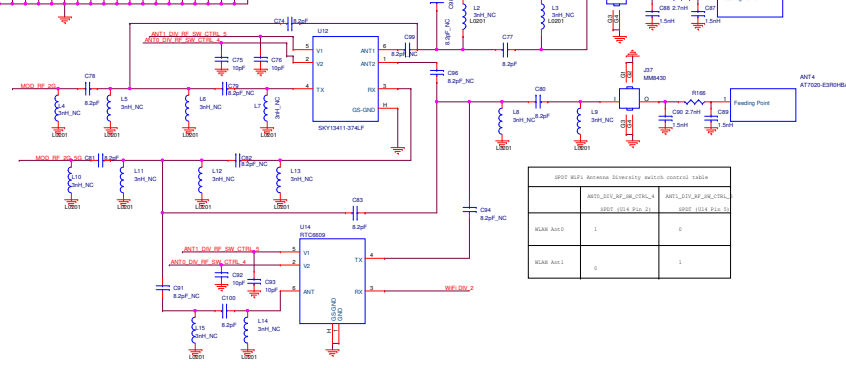
Title: Interface		REV: A00
File:	Chap	Page: 2001
Created Date:	Monday, June 10, 2003	Page: 2001
Modify Date:	Monday, August 26, 2008	Page: 2001



Pin	Block	Function	Value
U10_1	U10	RESET_N	0
U10_2	U10	BT_HOST_WAKE	0
U10_3	U10	BT_HOST_WAKE	0
U10_4	U10	BT_HOST_WAKE	0
U10_5	U10	BT_HOST_WAKE	0
U10_6	U10	BT_HOST_WAKE	0
U10_7	U10	BT_HOST_WAKE	0
U10_8	U10	BT_HOST_WAKE	0
U10_9	U10	BT_HOST_WAKE	0
U10_10	U10	BT_HOST_WAKE	0
U10_11	U10	BT_HOST_WAKE	0
U10_12	U10	BT_HOST_WAKE	0
U10_13	U10	BT_HOST_WAKE	0
U10_14	U10	BT_HOST_WAKE	0
U10_15	U10	BT_HOST_WAKE	0
U10_16	U10	BT_HOST_WAKE	0

RF SW Control Diversity switch control table

	ANT1_SW_RF_SW_CTRL_1	ANT1_SW_RF_SW_CTRL_2
RF_SW_CTRL_1_0	1	0
RF_SW_CTRL_1_1	0	1
RF_SW_CTRL_1_2	0	0



RF SW Control Diversity switch control table

	ANT1_SW_RF_SW_CTRL_1	ANT1_SW_RF_SW_CTRL_2
RF_SW_CTRL_1_0	1	0
RF_SW_CTRL_1_1	0	1
RF_SW_CTRL_1_2	0	0