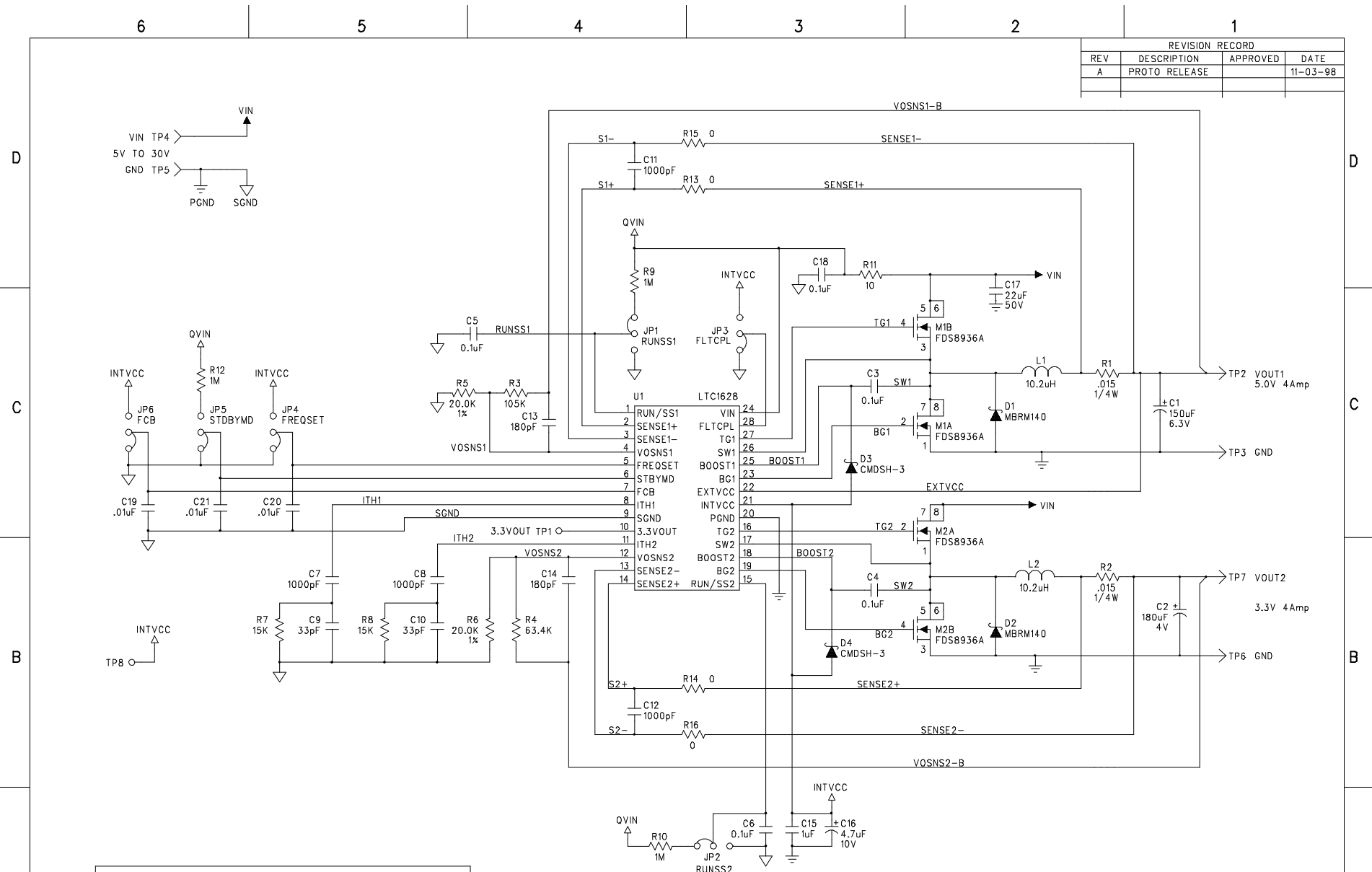


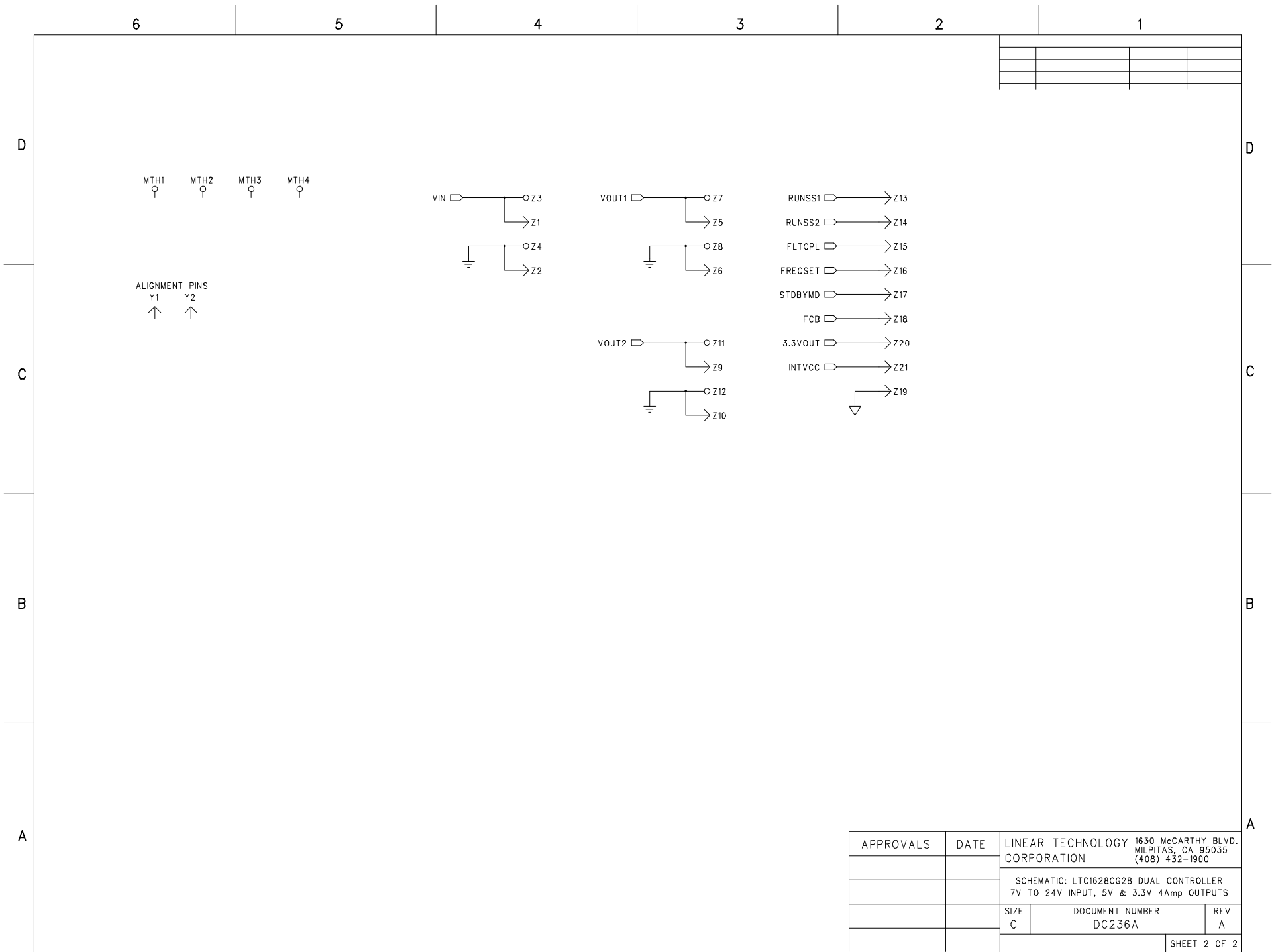
REVISION RECORD			
REV	DESCRIPTION	APPROVED	DATE
A	PROTO RELEASE		11-03-98



NOTES: unless otherwise specified...

1. ALL RESISTOR VALUES IN OHMS, 5%, 1/16W  
THREE SIGNIFICANT DIGIT VALUES ARE 1%.
2. ALL CERAMIC CAPACITORS ARE X7R, 10V-50V.  
VALUES 1000pF OR LESS ARE NPO, 25V.  
FOR VALUES ABOVE 1uF, SEE BILL OF MATERIAL.
3. POLARIZED OUTPUT CAPACITORS ARE SPECIAL POLYMER DIELECTRIC
- 4.

APPROVALS	DATE	LINEAR TECHNOLOGY
		1630 MCCARTHY BLVD. MILPITAS, CA 95035 (408) 432-1900
SCHEMATIC: LTC1628CG28 DUAL CONTROLLER 7V TO 24V INPUT, 5V & 3.3V 4Amp OUTPUTS		
SIZE	DOCUMENT NUMBER	REV
C	DC236A	A



APPROVALS	DATE	LINEAR TECHNOLOGY 1630 McCARTHY BLVD. CORPORATION MILPITAS, CA 95035 (408) 432-1900	
		SCHEMATIC: LTC1628CG28 DUAL CONTROLLER 7V TO 24V INPUT, 5V & 3.3V 4Amp OUTPUTS	
		SIZE C	DOCUMENT NUMBER DC236A
		REV A	SHEET 2 OF 2