

A

B

C

D

E

F

G

H

A

B

C

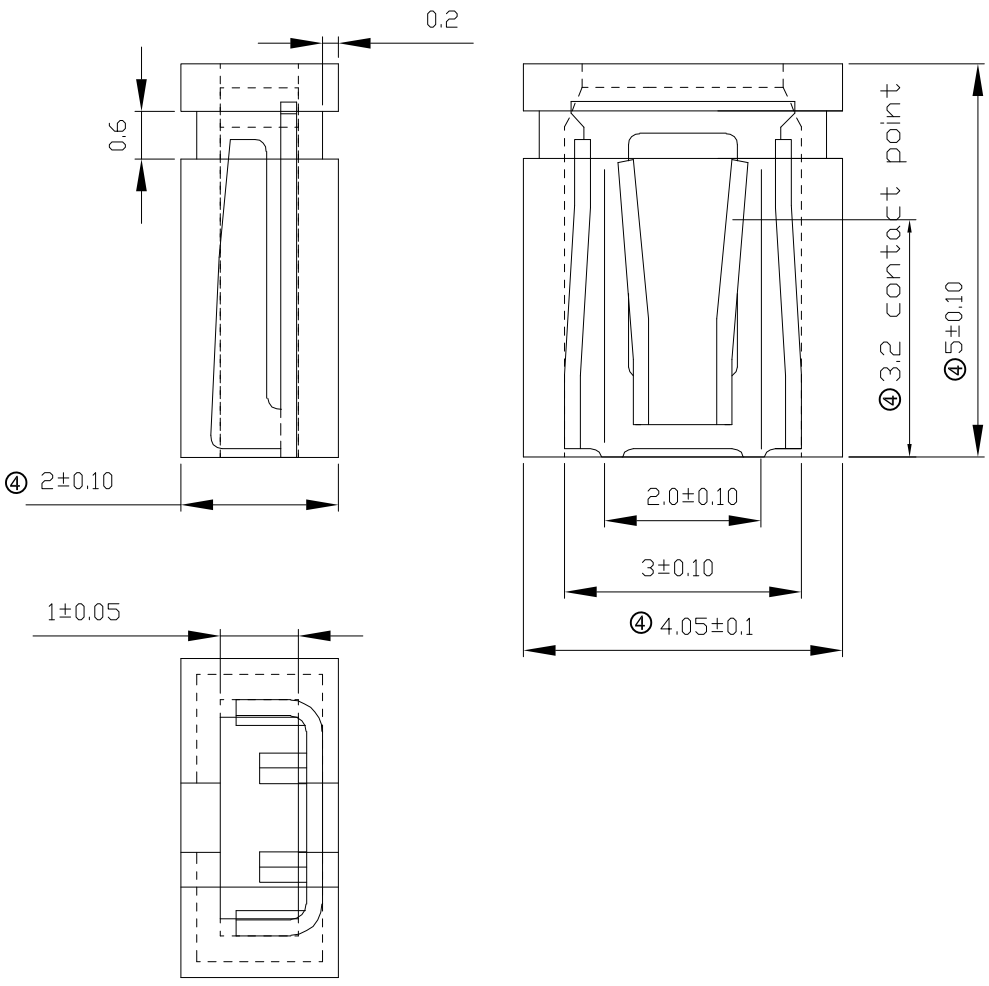
D

E

F

G

H



NOTES:

- 1. Insulation: Glass Filled PBT, UL94V-0, Color Black
- 2. Contact : Brass
- ④ 3. Current Rating: 1.5 A Max
- 4. Dielectric Voltage: 1000V rms / 1 minute
- 5. Insulation Resistance: 1000M ohm Min.
- 6. Contact Resistance: 30m ohm Max.
- 7. Operating and Storage Temperature: -40°C ~ +105°C
- ③ 8. Mating Cycles: 10 Min.

AKSG-200/x
 Contact Area Plating: ③
 G: Gold Flash

RoHS compliant
 Unit:mm

| Scale | Free | | | | Date | Name | Customer-No. |
|-----------|-------|-----|------------------|------------|---------|------------|--------------|
| TOLERANCE | | | | | Drawn | 08.03.2005 | Hellwig |
| .X | ±0.38 | ④ | Change the plant | 21.04.2022 | Winnie | Approved | 21.04.2022 |
| .XX | ±0.25 | ③ | Update | 07.06.2013 | Winnie | | |
| ④ .XXX | ±0.15 | ② | Update | 27.07.2009 | Rale | | |
| DIM | TOL | ① | Drawn | 08.03.2005 | Hellwig | | |
| X.° | ±1° | | | | | | |
| Angle | TOL | | | | | | |
| UNIT | mm | Id. | Modification | Date | Name | | |

ASSMANN WSW-No. **AKSG-200/x**

Drawing-No. **ASS 0243 CO** rev04



Replace SHEET