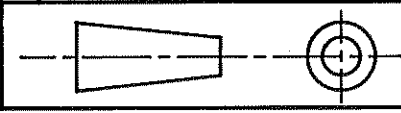
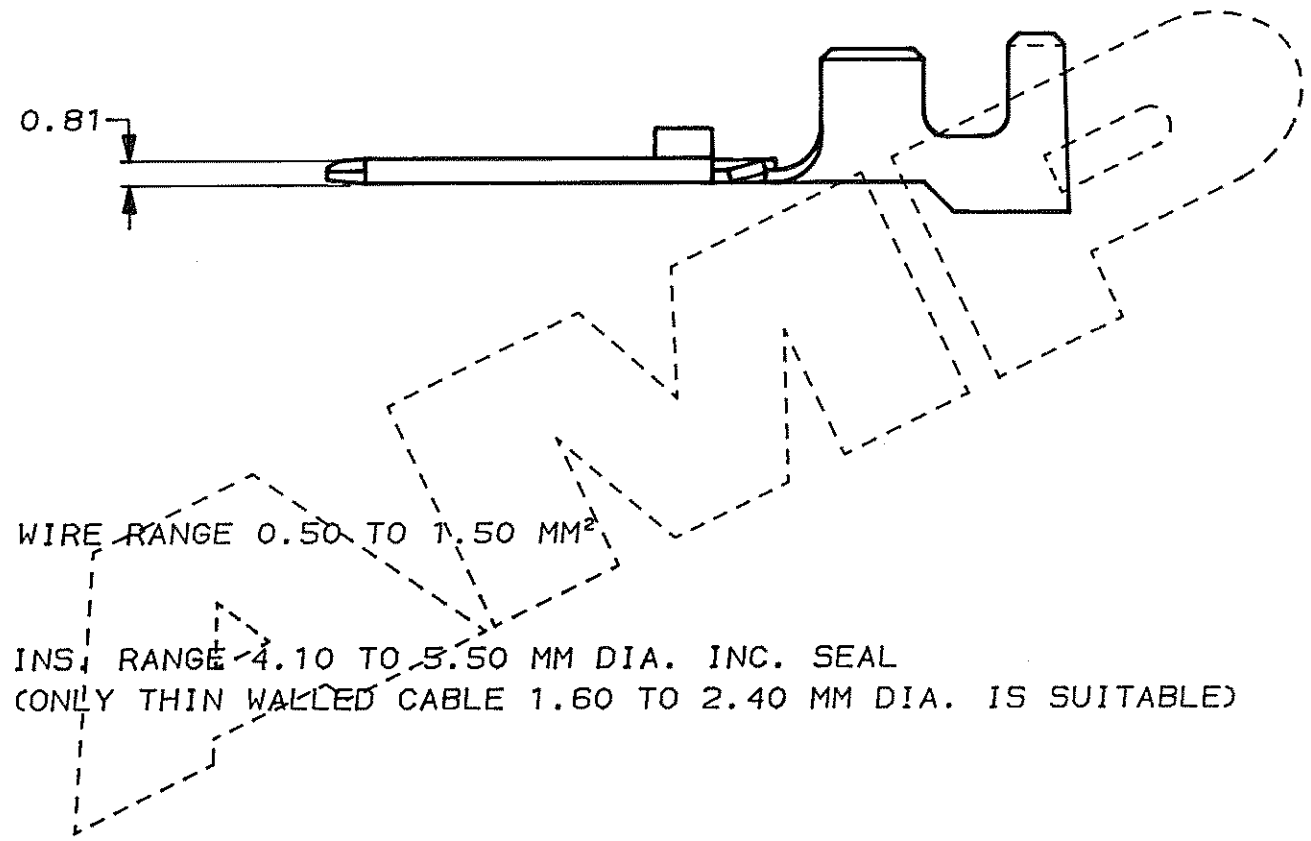
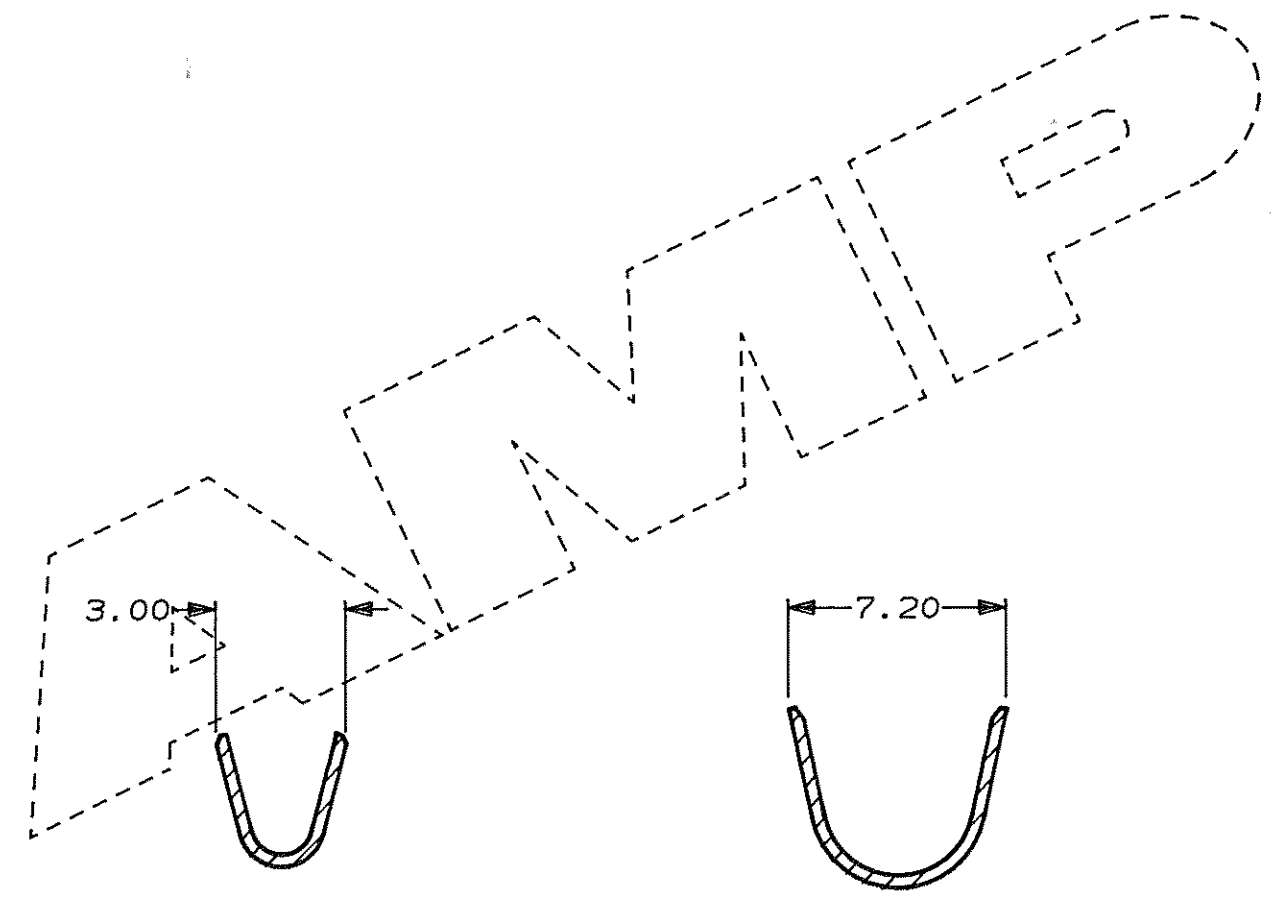
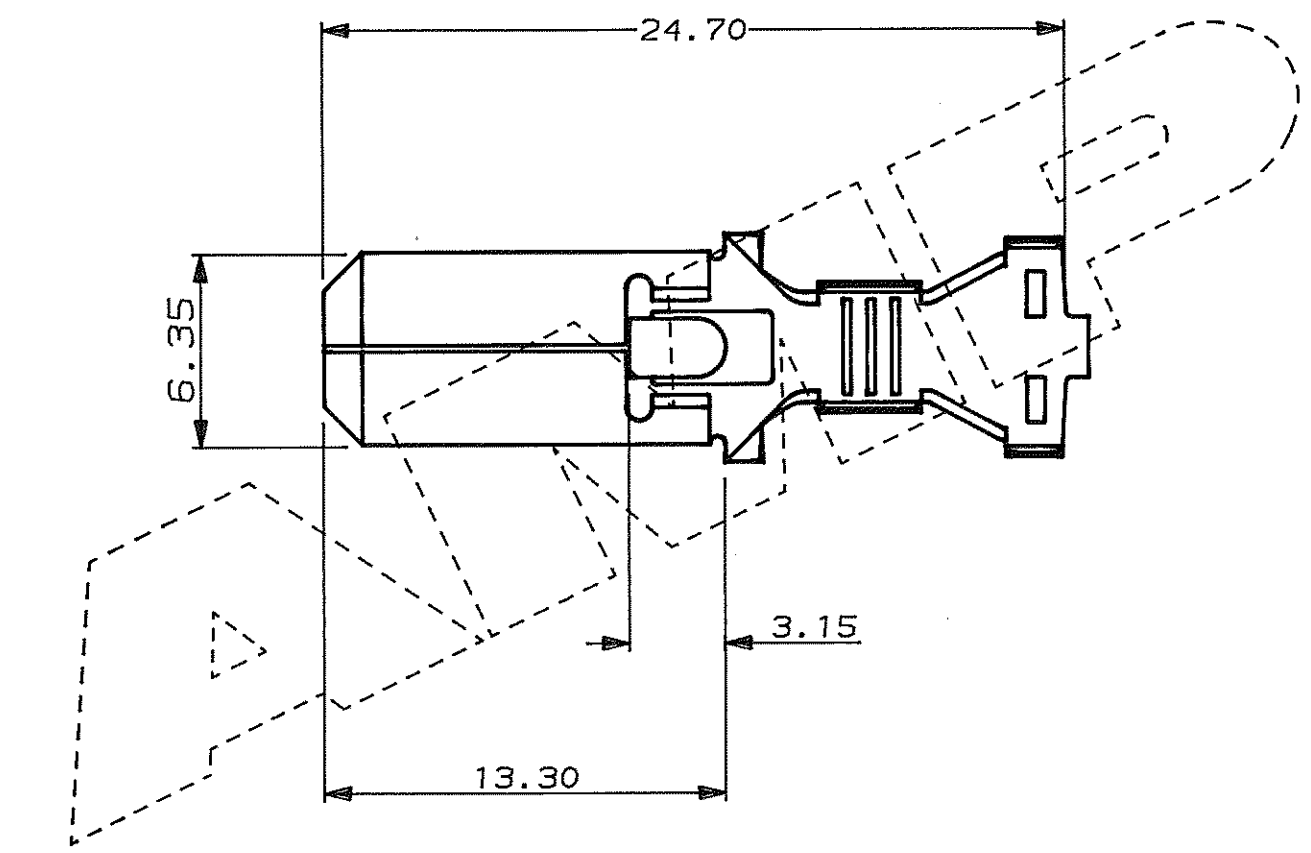


DO NOT SCALE

DIMENSIONS IN MM.



C.A.D. FILE CODE
C344069



TIN PLATED		BRASS		344069-1	
FINISH		MATERIAL		PART NUMBER	
CUSTOMER DWG FOR REFERENCE ONLY		©COPYRIGHT 1987 BY AMP OF GREAT BRITAIN LTD. ALL INTERNATIONAL RIGHTS RESERVED. ALL PRODUCTS MAY BE COVERED BY BRITISH AND FOREIGN PATENTS AND/OR PATENTS PENDING.		RELEASED FOR PUBLICATION 23/06/87	
-	-	-	-	TOLERANCES UNLESS OTHERWISE STATED, DEC ± 0.5 ANGLES ± 1°	
-	-	-	-	DR. R. RUNAGALL 23/06/87 CH. R. J. S. APP. B. J.	
-	-	-	-	STE TE Connectivity	
-	-	-	-	NAME .250 SERIES TAB HIGH CURRENT ECONOSEAL 3 (SEALED APPLICATIONS)	
A1	ECR-20-001446	SCK	03FEB2020	SCALE 4/1	LOC E
REV	ECN	APPR	DATE	SIZE A3	DWG.No. C344069
				REV A1	SHEET 1/1