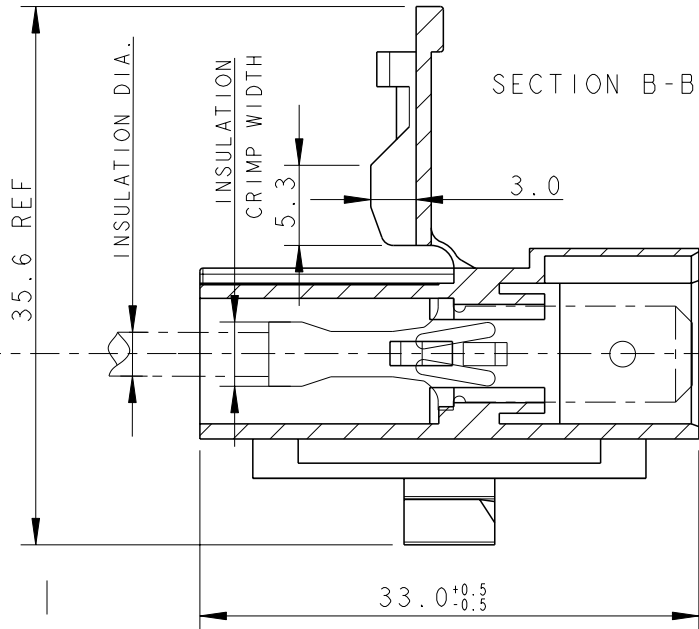
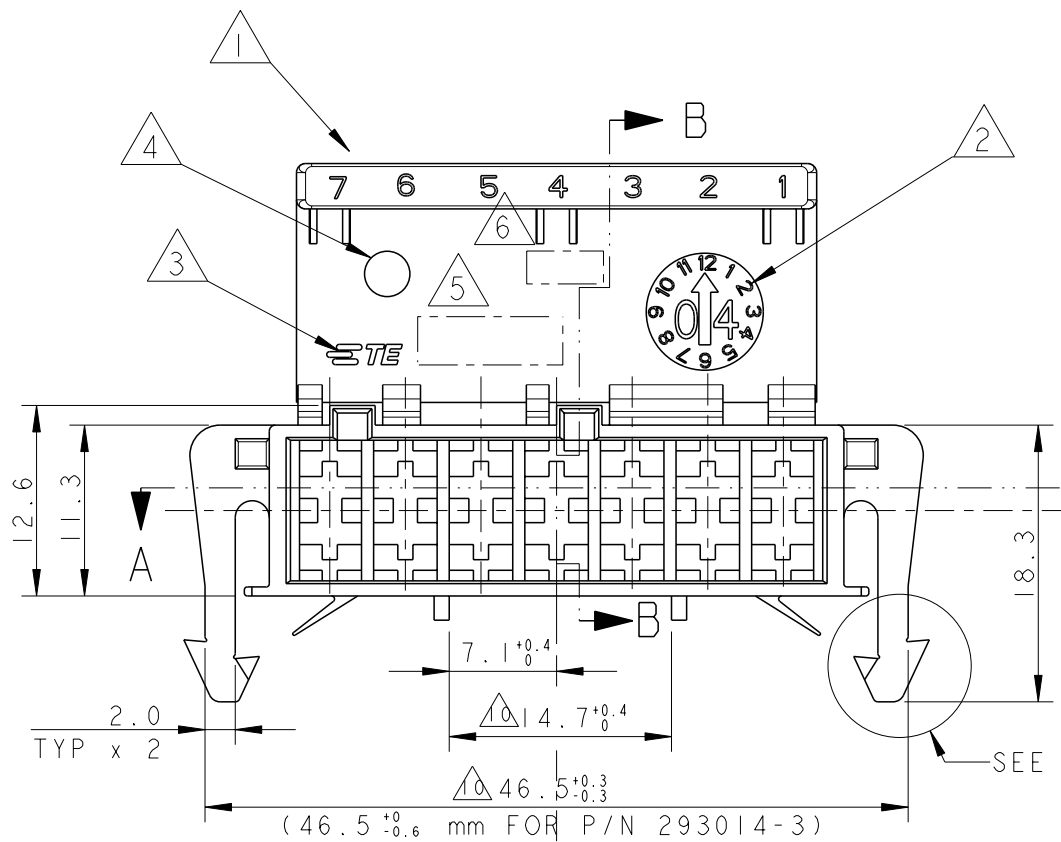
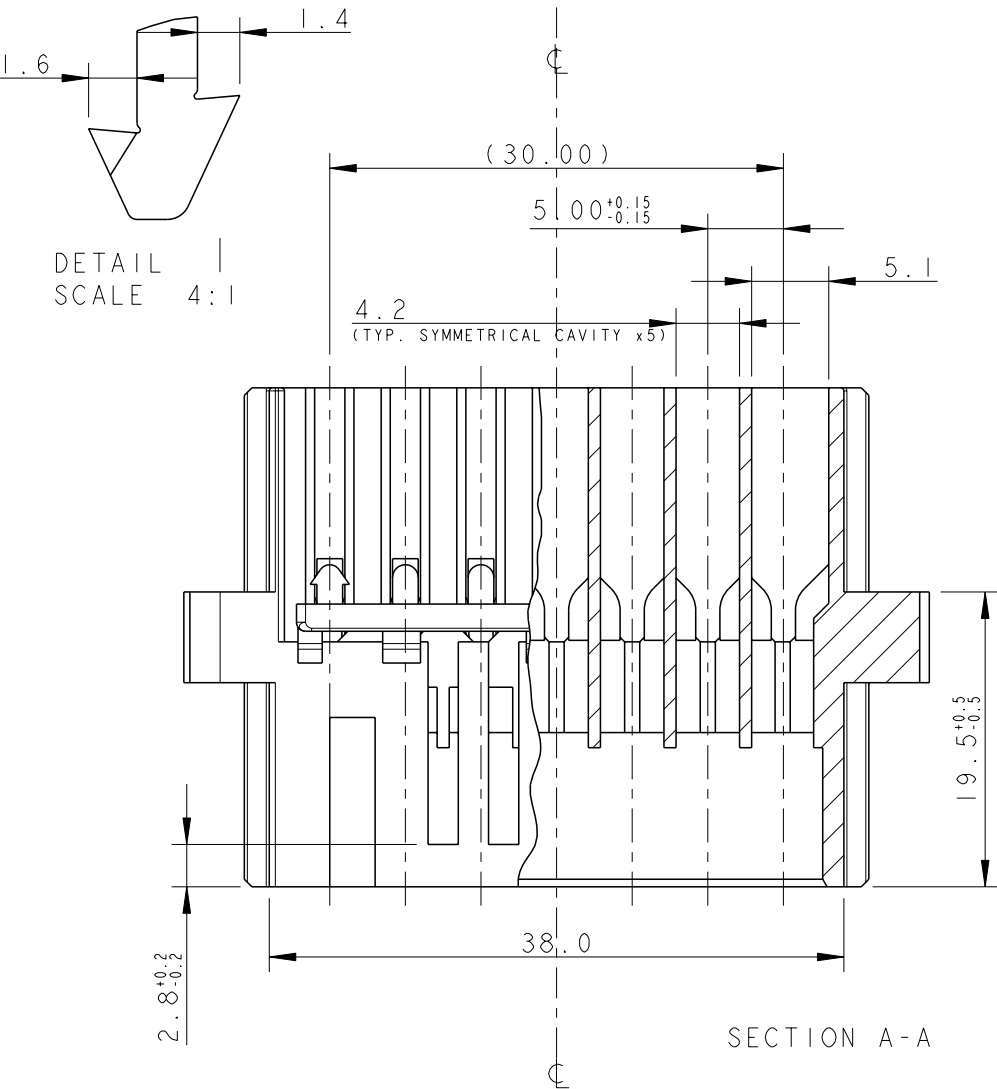
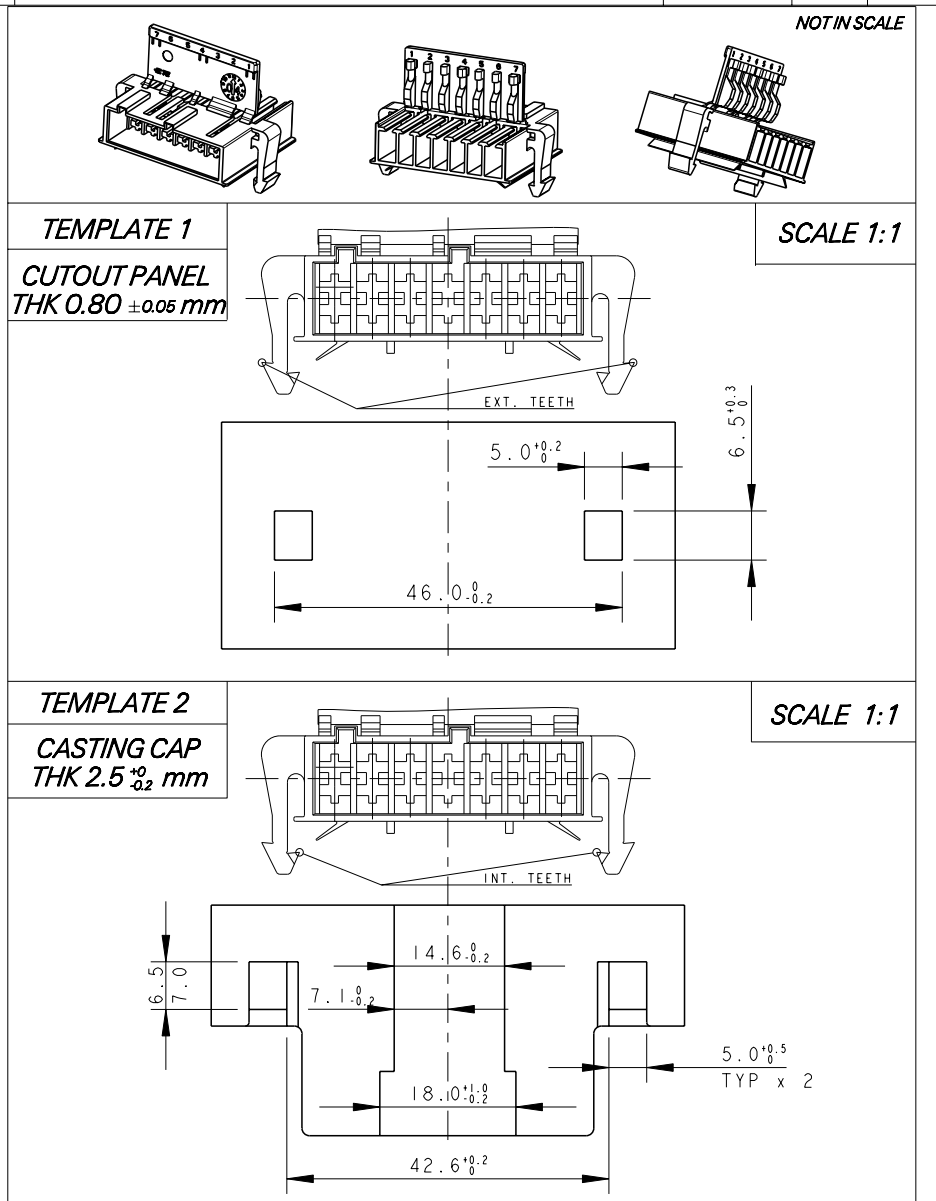


LOC	DIST	REVISIONS			
P	LTR	DESCRIPTION	DATE	DWN	APVD
1	-	A10	ECR-15-009863	30JUN2015	KD RR
		A11	ECR-15-012957	04SEP2015	KD RR
		A12	ECR-16-013321	27SEP2016	KD RR
		A13	ECR-20-004903	03APR2020	SK CD



- NOTES:
- ① CIRCUIT IDENTIFICATION NUMBERS 1 TO 7, BOTH SIDES
 - ② DATE CODE
 - ③ TE TRADEMARK
 - ④ MOULD CAVITY IDENTIFICATION
 - ⑤ TE - P/N
 - ⑥ RAW MATERIAL CODE
 - 7) CONNECTOR HOUSING SUITABLE FOR MATING WITH:
(PROPERLY CODED WITH RELEVANT APPLICATION MACHINE)
- AMP MONOSHAP Mark I TAB CONNECTOR, P/N 1-293004-7
- AMP MONOSHAP Mark I TAB CONNECTOR LIF, P/N 1-2293392-7
 - 8) RECOMMENDED WITH TERMINALS P/Ns 293041-X, DEPENDING ON PLATING AND PACKAGING (REF. DRAWING C-293041)
CAVITIES SUITABLE FOR .250" SERIES FAST-IN-ON TAB CONTACT ACCORDING TO NORM "DIN 46 343"
MAX INS. DIA.: 2.8 mm; MAX INS. CRIMP WIDTH: 3.3 mm
 - ⑨ PRELIMINARY - NOT RELEASED FOR PRODUCTION
 - ⊕ ONLY FOR 293014-2, 14.7 +0.4/-0.1 (LOCATION C4)
46.5 +0.3/-0.4 (LOCATION C4)
 - ⊕ ONLY FOR 293014-2, CONNECTOR UN-MATING FORCE WITH MATING PART MONO-SHAPE MKI IS MIN.30N



REV	TE P/N	MATERIAL
A	293014-3	PA66/6 UNFILLED, UL94 V0
A	293014-2	PA66 UNFILLED, UL94-V0 GWT, NATURAL
A	293014-1	PA6 UNFILLED, NATURAL COLOR ACCORDING TO IEC 60335-1 NORM

THIS DRAWING IS A CONTROLLED DOCUMENT.		DWN U. AIME 20FEB2004	 TE Connectivity			
DIMENSIONS: mm		CHK G. TURCO 20FEB2004				
TOLERANCES UNLESS OTHERWISE SPECIFIED:		APVD - 20FEB2004				
0 PLC ±- 1 PLC ±0.3 2 PLC ±- 3 PLC ±- 4 PLC ±- ANGLES ±° FINISH -		PRODUCT SPEC 108-20247 APPLICATION SPEC - WEIGHT -				
MATERIAL SEE TABLE		NAME 7 POSITION TAB HOUSING FOR MOTOR MOUNTING RAST 5	SIZE A300779	CAGE CODE C-293014	DRAWING NO	RESTRICTED TO
Customer Drawing		SCALE 2:1	SHEET 1 OF 1	REV A13		