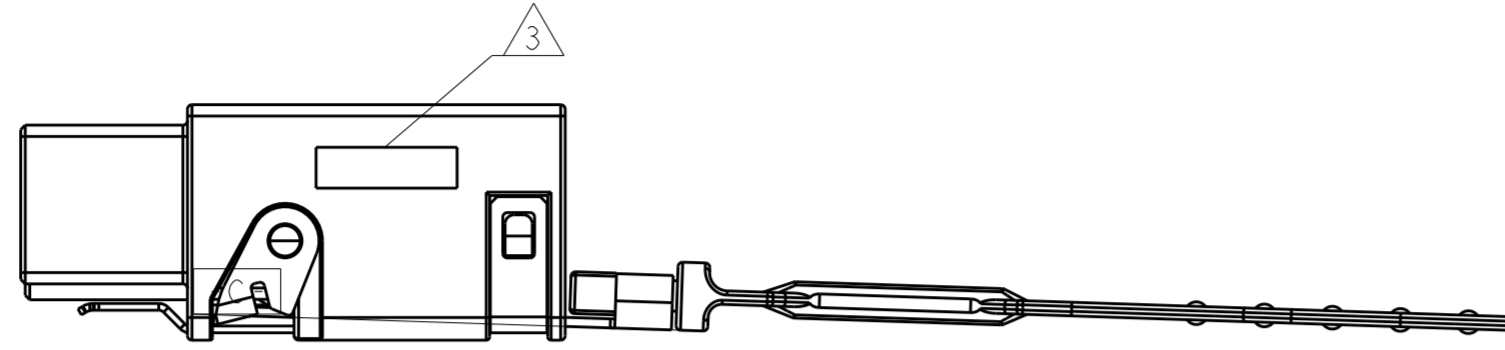


THIS DRAWING IS UNPUBLISHED. RELEASED FOR PUBLICATION 20  
 © COPYRIGHT 20 BY - ALL RIGHTS RESERVED.

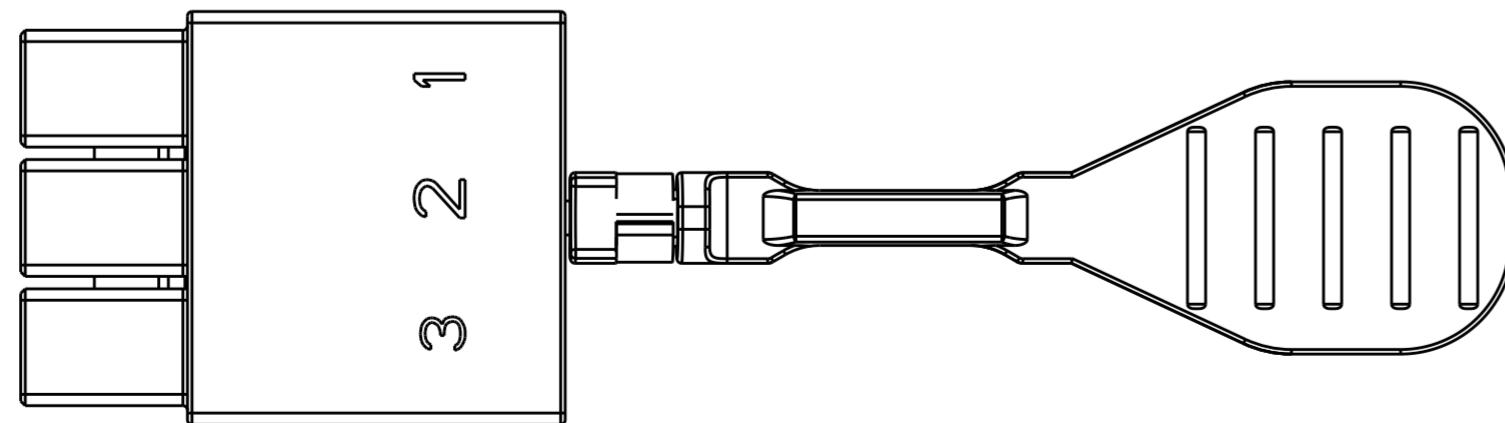
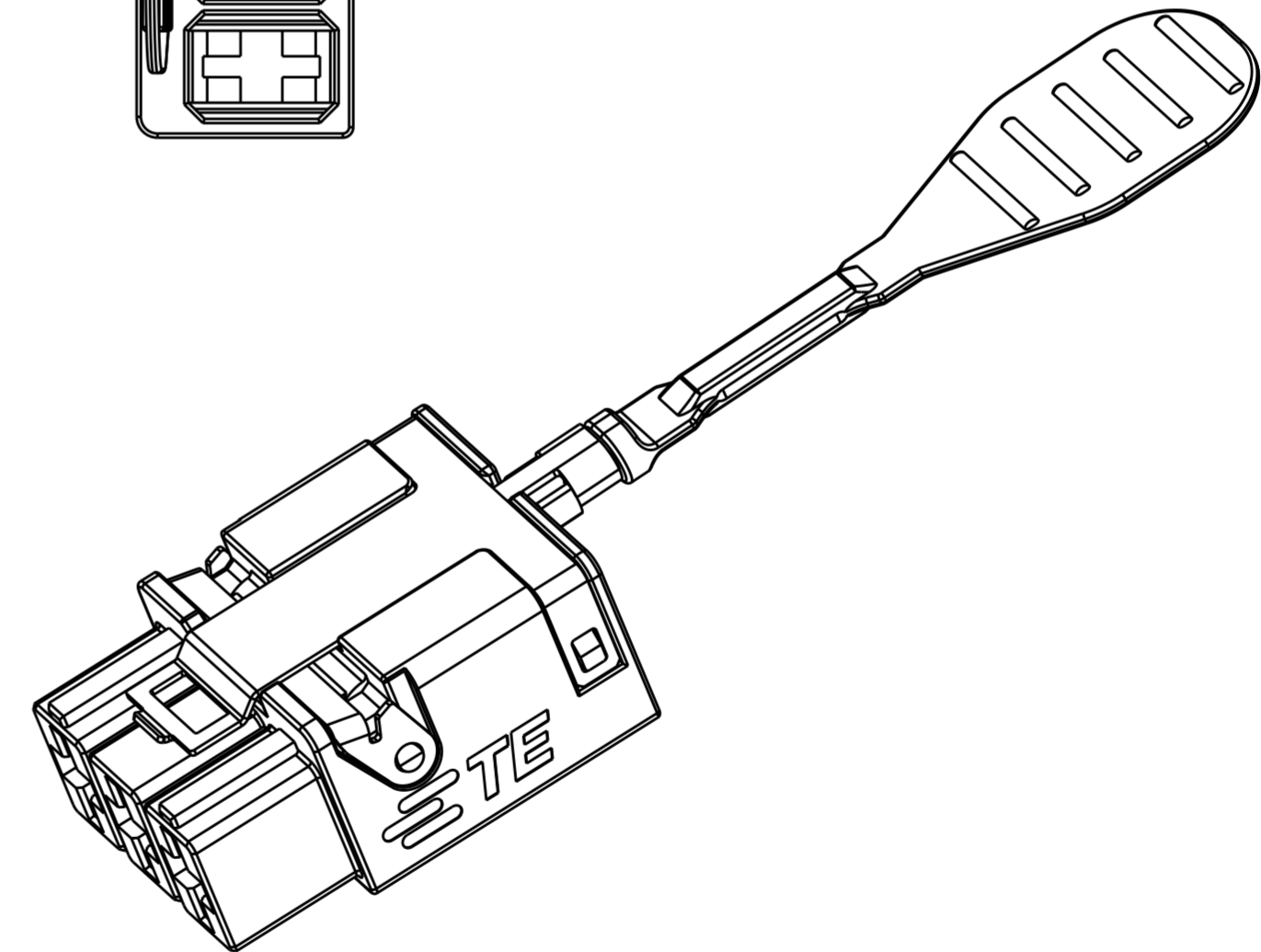
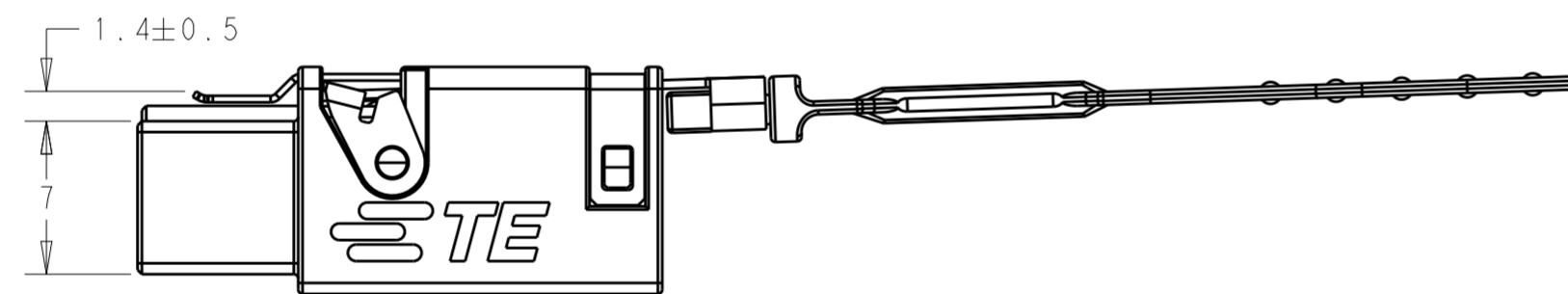
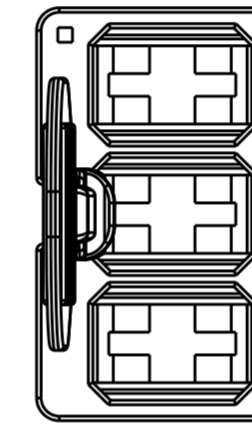
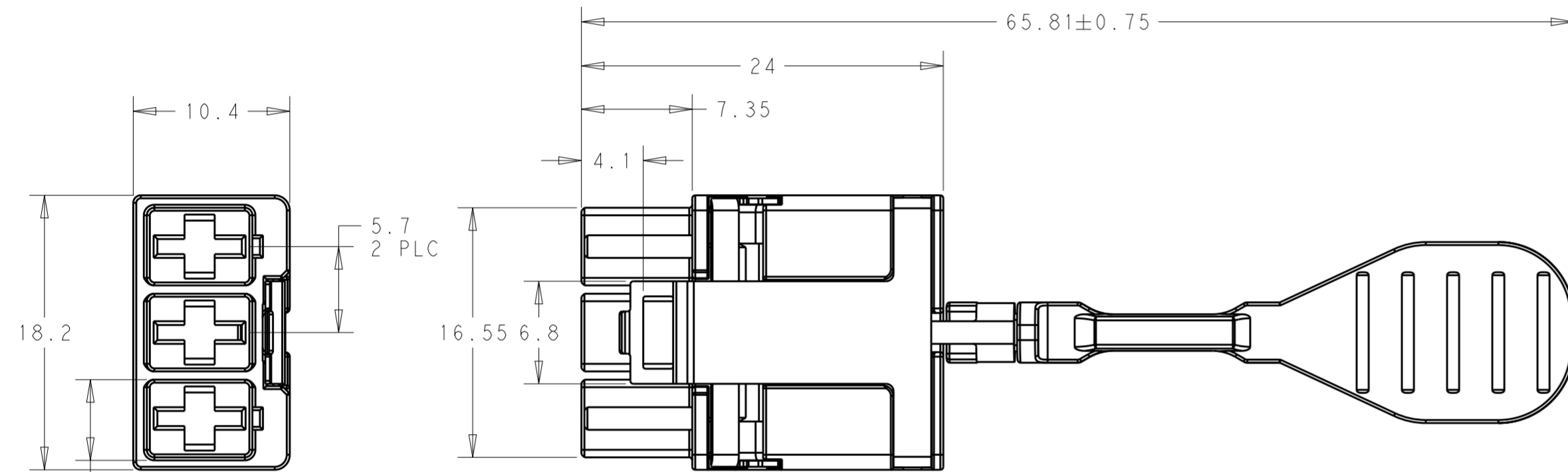
REVISIONS				
P	LTR	DESCRIPTION	DATE	APVD
B3		DESIGN CHANGE FOR -3	05MAR2020	OL SZ



① USED FOR STANDARD POWER TIMER CONTACTS, FOR CONTACTS PART NUMBER, PLEASE SEE DRAWING 1355048

② ALLOWED MAX. WIRE SIZE 6MM2. THE INSULATION CRIMP FOR 6MM2 WIRE SHOULD USE OVAL CRIMPING AND SUGGESTED CRIMP WIDTH IS 4.7MM AND HEIGHT IS 6.8MM

③ CABLE HOUSING PART NUMBER AND DATECODE

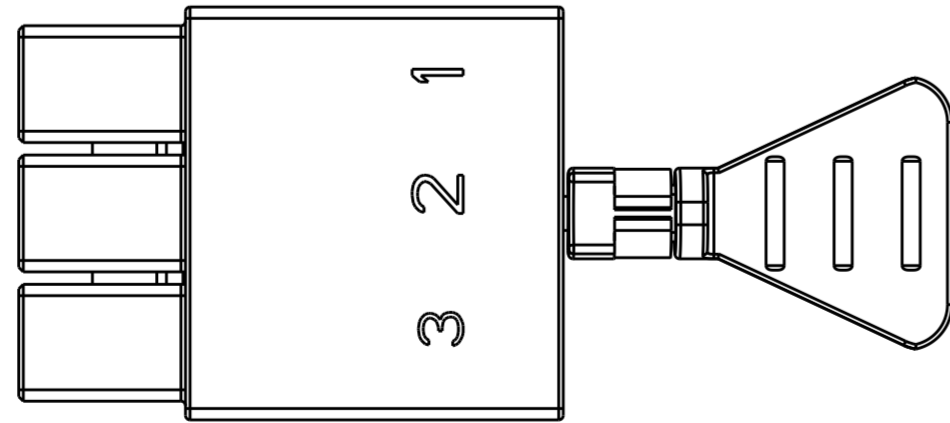
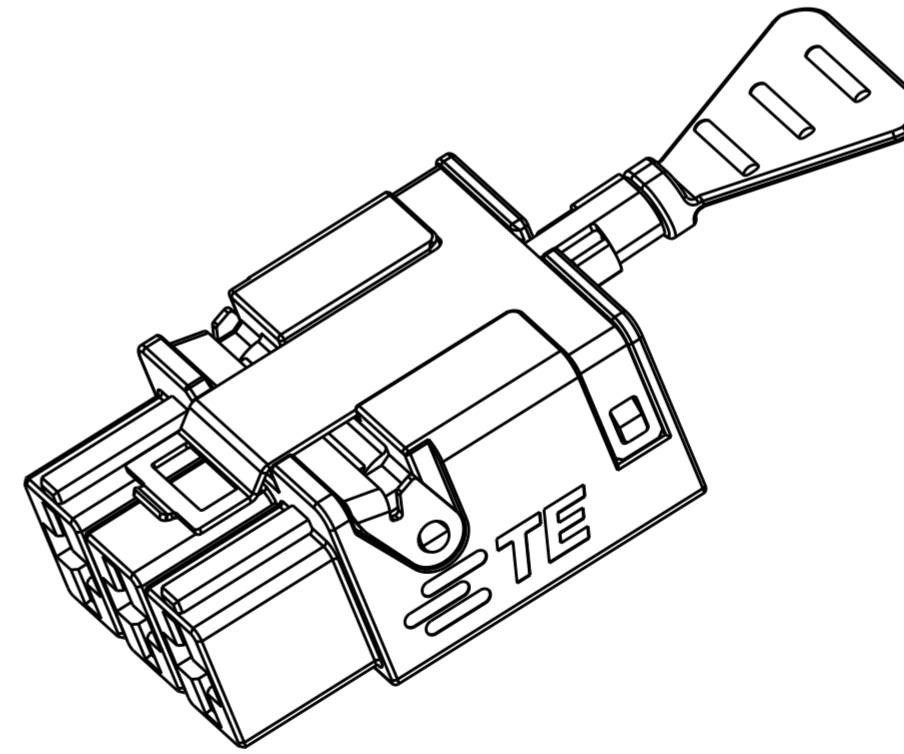
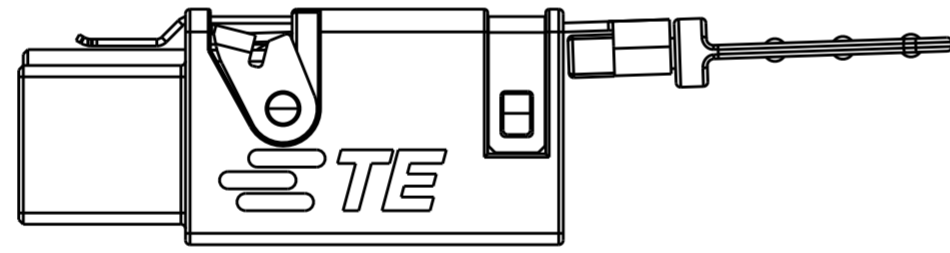
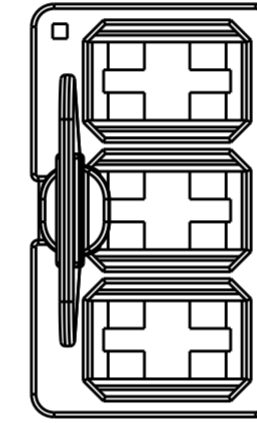
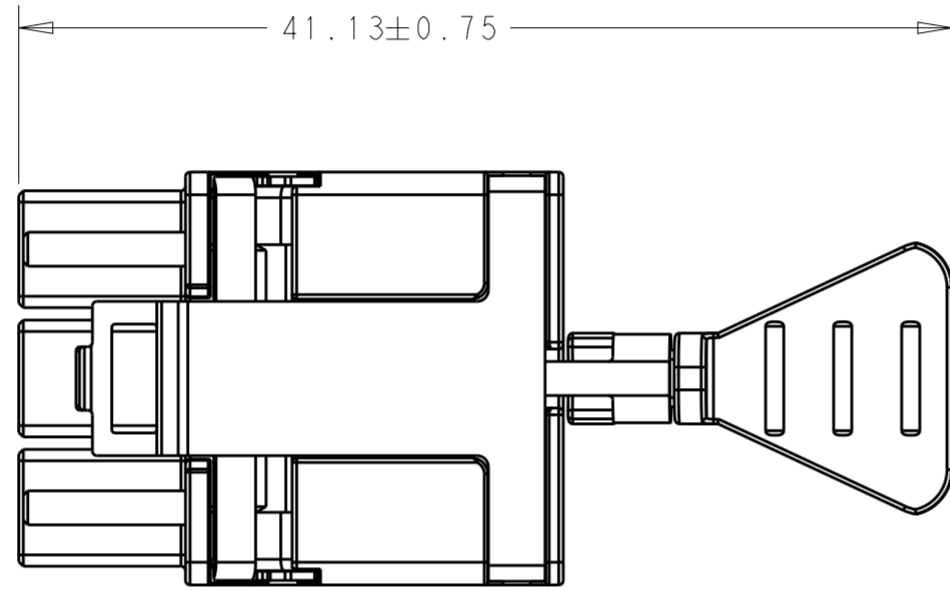
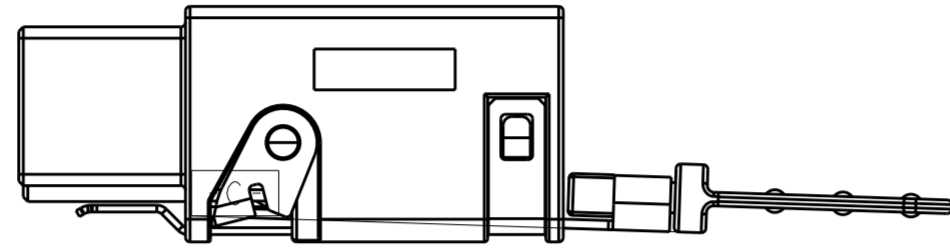
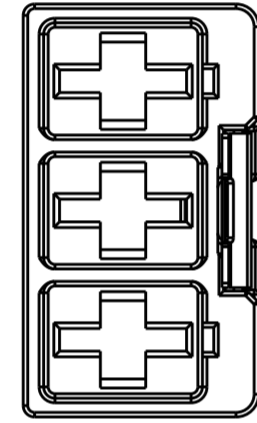


2204534-1 PART NUMBER

THIS DRAWING IS A CONTROLLED DOCUMENT.		DWN ORANDO LI 03APR2015	TE Connectivity	
		CHK ZHAO SUNY 03APR2015		
		APVD SUNY ZHAO 03APR2015	NAME ELCON Mini, 3-position cable conn. pull-tab, 6mm2 max. wire	
DIMENSIONS: mm		PRODUCT SPEC 108-128028	SIZE A2	CAGE CODE -
TOLERANCES UNLESS OTHERWISE SPECIFIED:		APPLICATION SPEC 114-128029	DRAWING NO. C-2204534	RESTRICTED TO -
MATERIAL TBD		WEIGHT -	SCALE 1:1	SHEET 1 OF 4
		CUSTOMER DRAWING	REV B3	

THIS DRAWING IS UNPUBLISHED. RELEASED FOR PUBLICATION 20  
 © COPYRIGHT 20 BY - ALL RIGHTS RESERVED.

REVISIONS				
P	LTR	DESCRIPTION	DATE	APVD
-		SEE SHEET 1	-	-



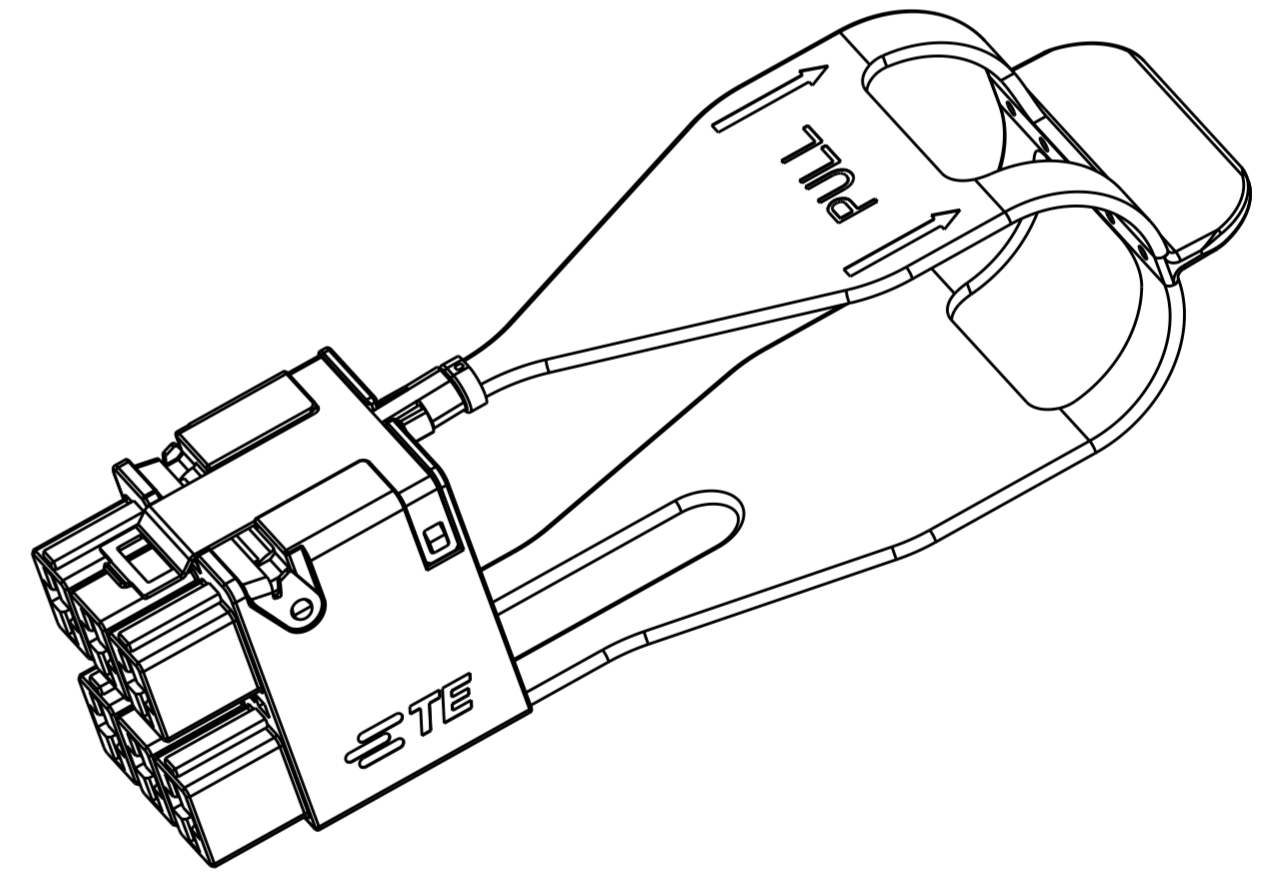
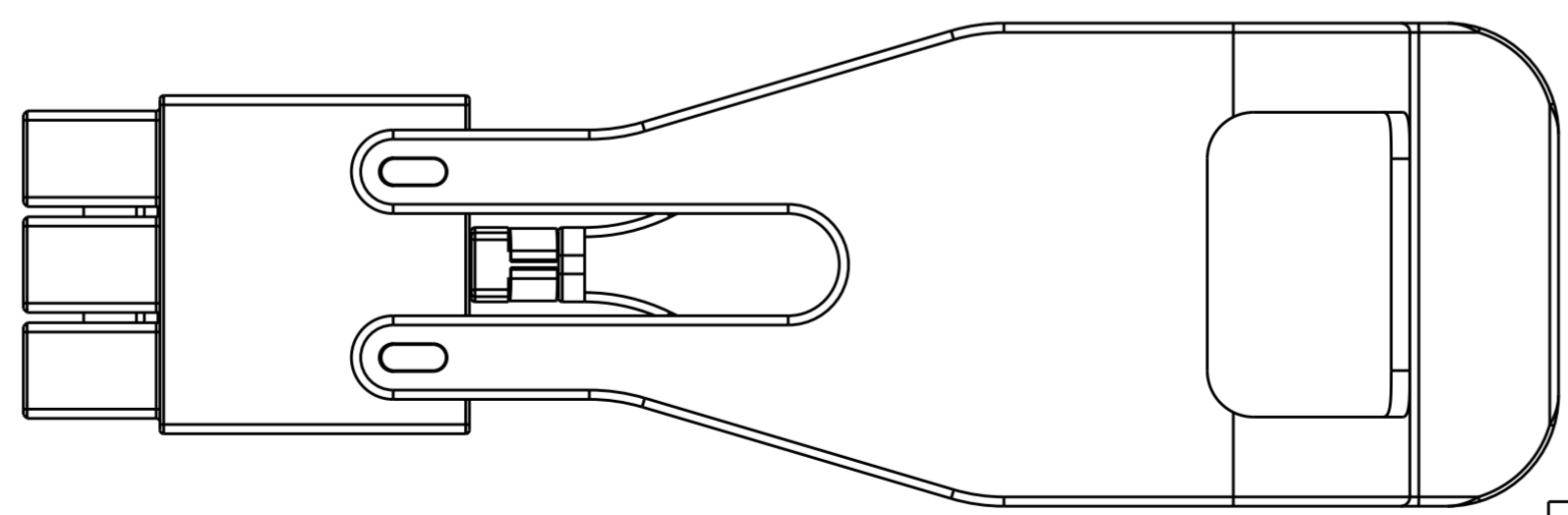
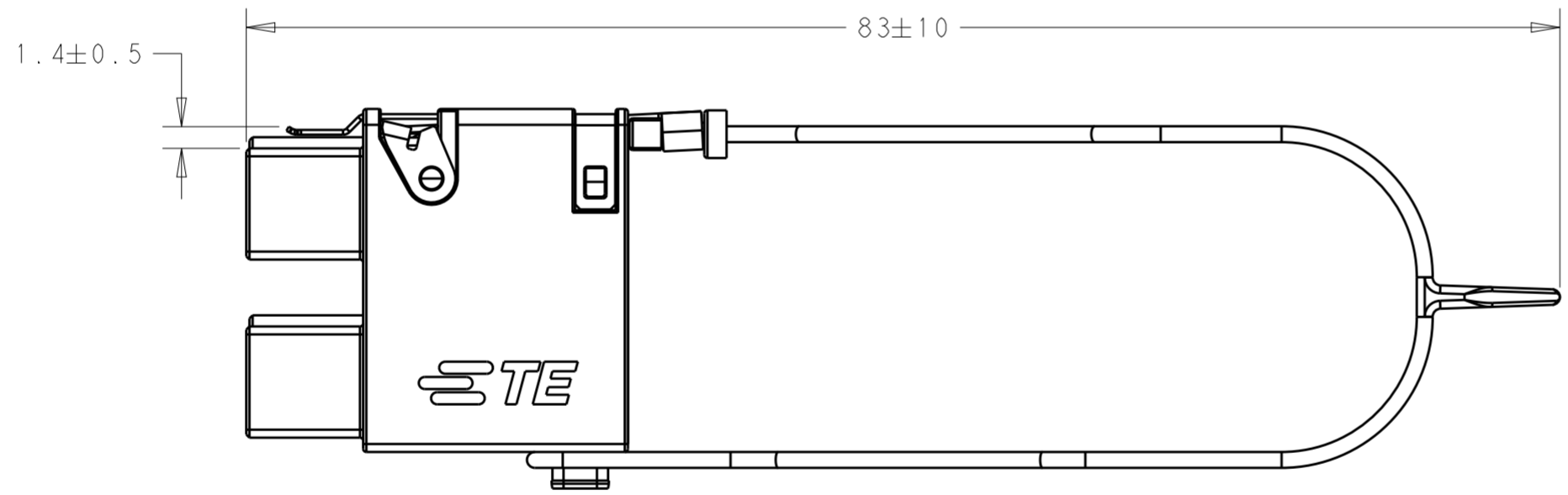
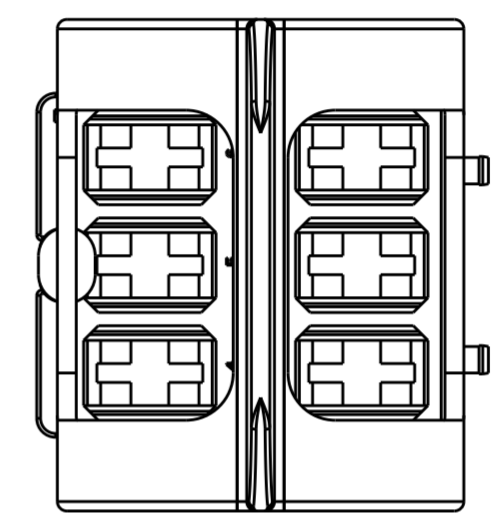
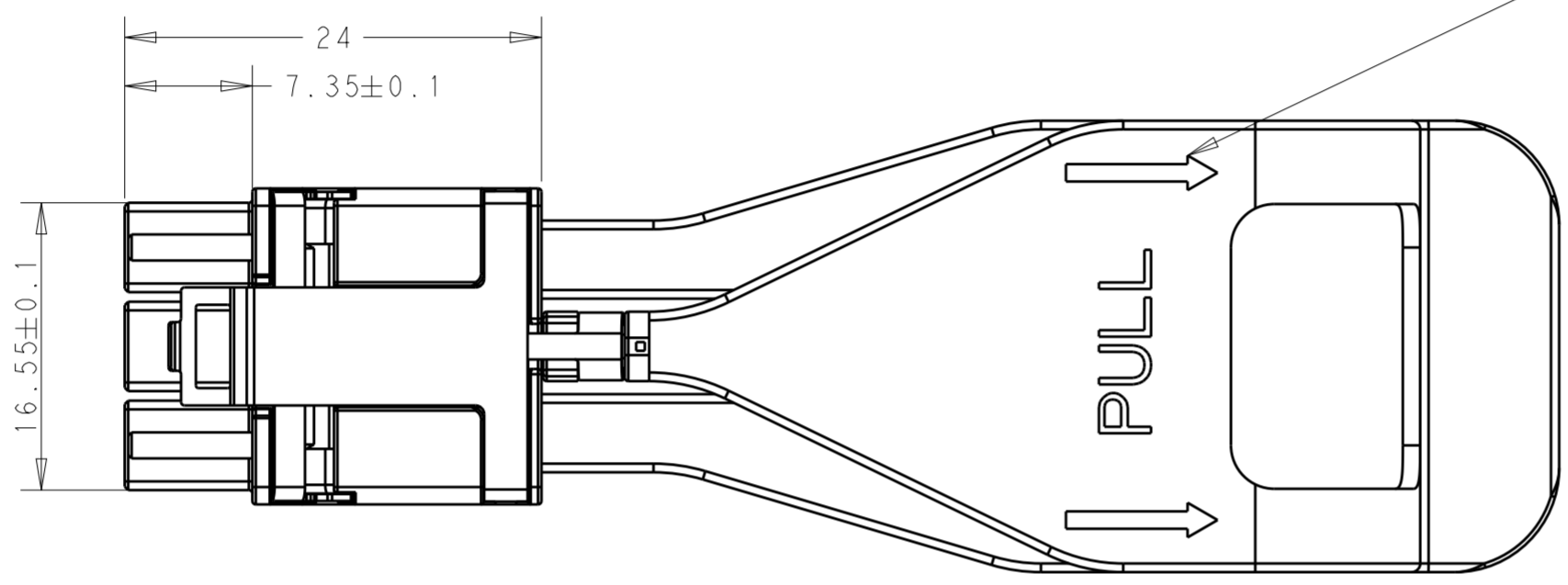
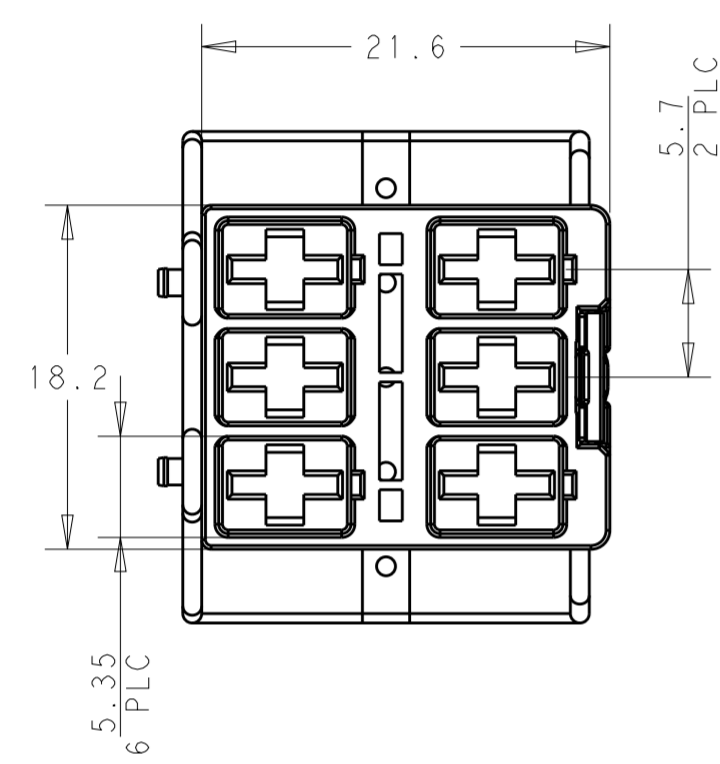
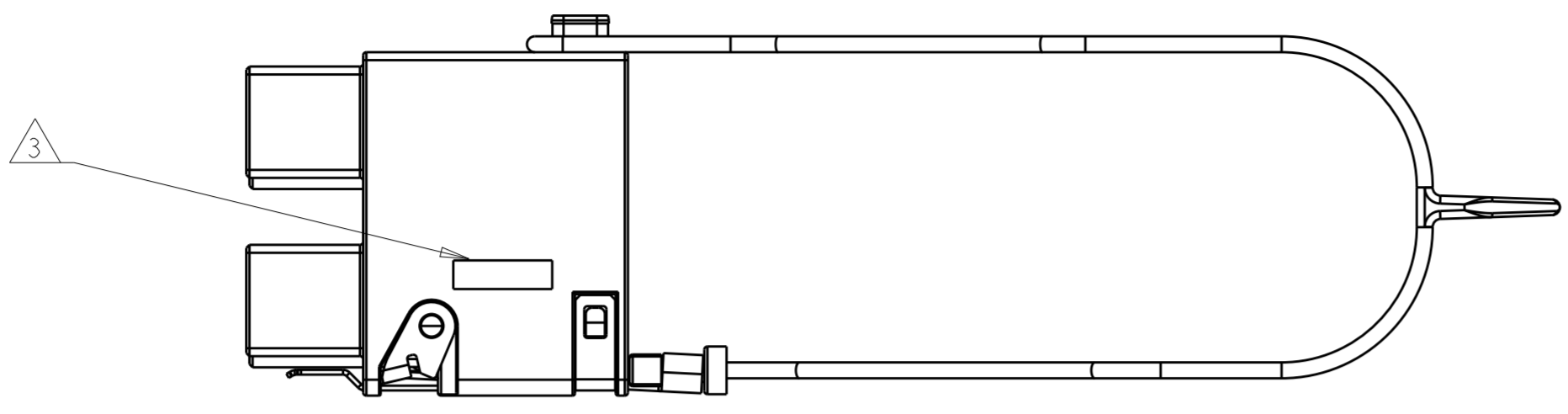
OTHER DIMENSIONS, REFER TO SHEET 1

2204534-2 PART NUMBER

THIS DRAWING IS A CONTROLLED DOCUMENT.		DWN ORANDO LI 03APR2015	<b>STE</b> TE Connectivity	
		CHK ZHAO SUNY 03APR2015		
		APVD SUNY ZHAO 03APR2015	NAME ELCON Mini, 3-position cable conn. pull-tab, 6mm2 max. wire	
DIMENSIONS: mm		PRODUCT SPEC 108-128028	SIZE A2	CAGE CODE -
TOLERANCES UNLESS OTHERWISE SPECIFIED:		APPLICATION SPEC 114-128029	DRAWING NO. C-2204534	RESTRICTED TO -
MATERIAL TBD		WEIGHT -	SCALE 1:1	SHEET 2 OF 4
		CUSTOMER DRAWING	REV B3	

THIS DRAWING IS UNPUBLISHED. RELEASED FOR PUBLICATION 20  
 © COPYRIGHT 20 BY - ALL RIGHTS RESERVED.

REVISIONS				
P	LTR	DESCRIPTION	DATE	APVD
-	-	SEE SHEET 1	-	-

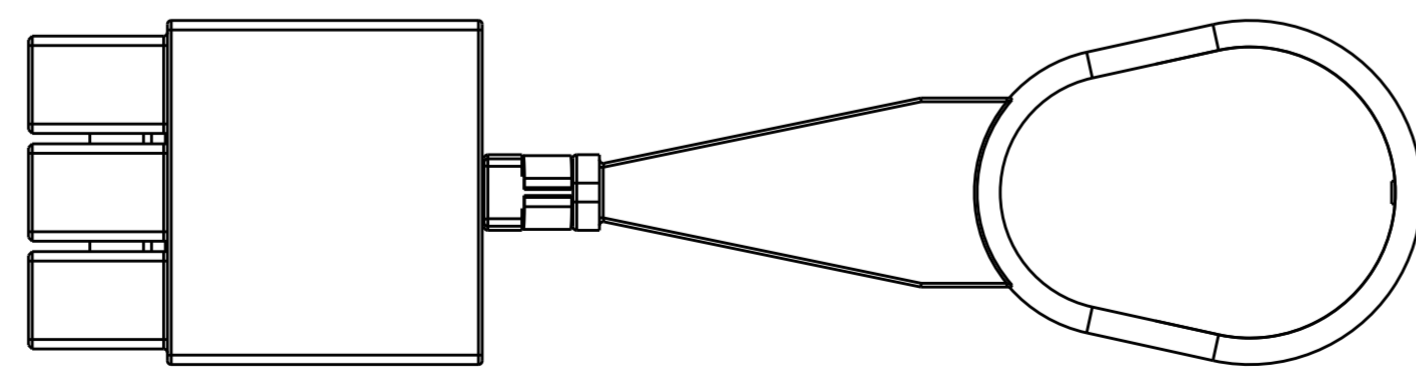
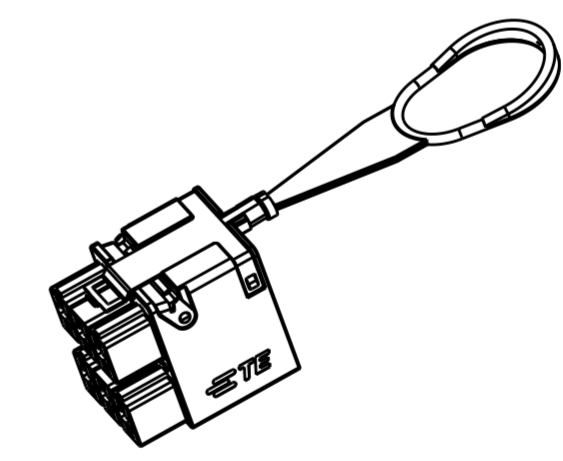
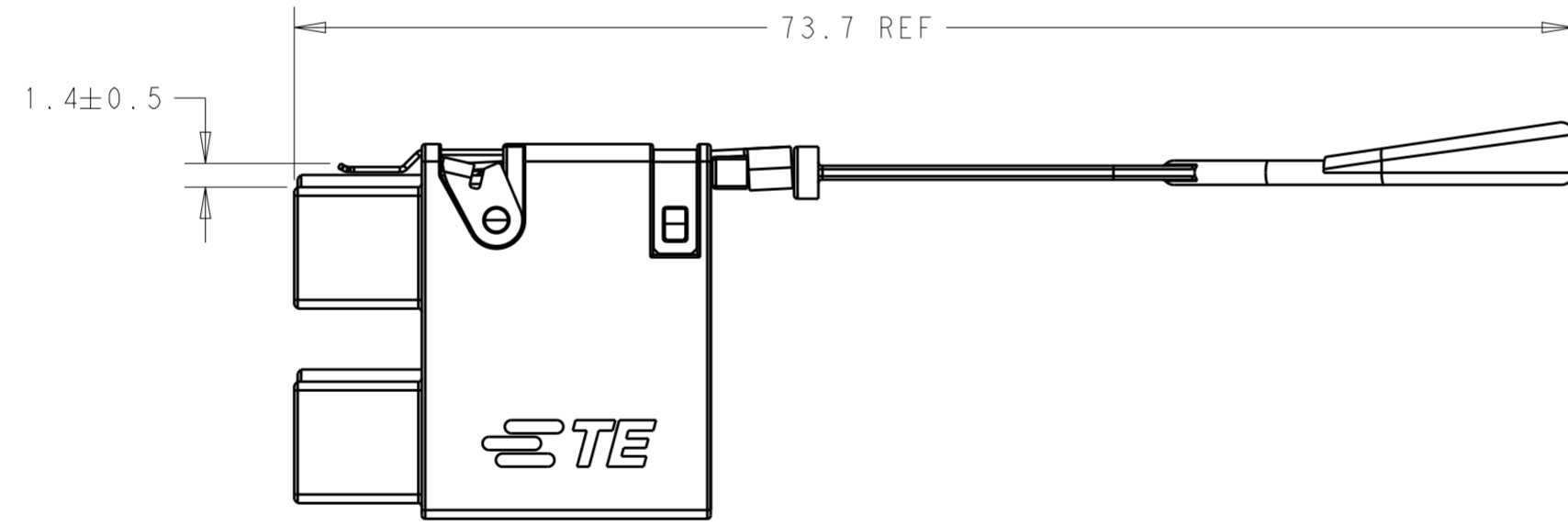
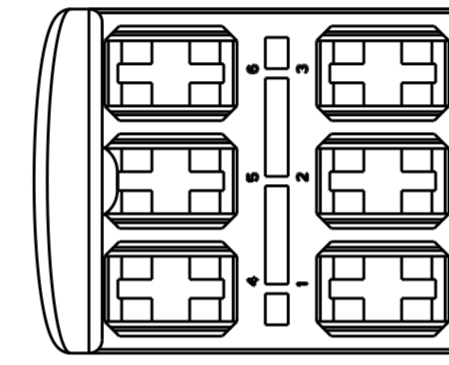
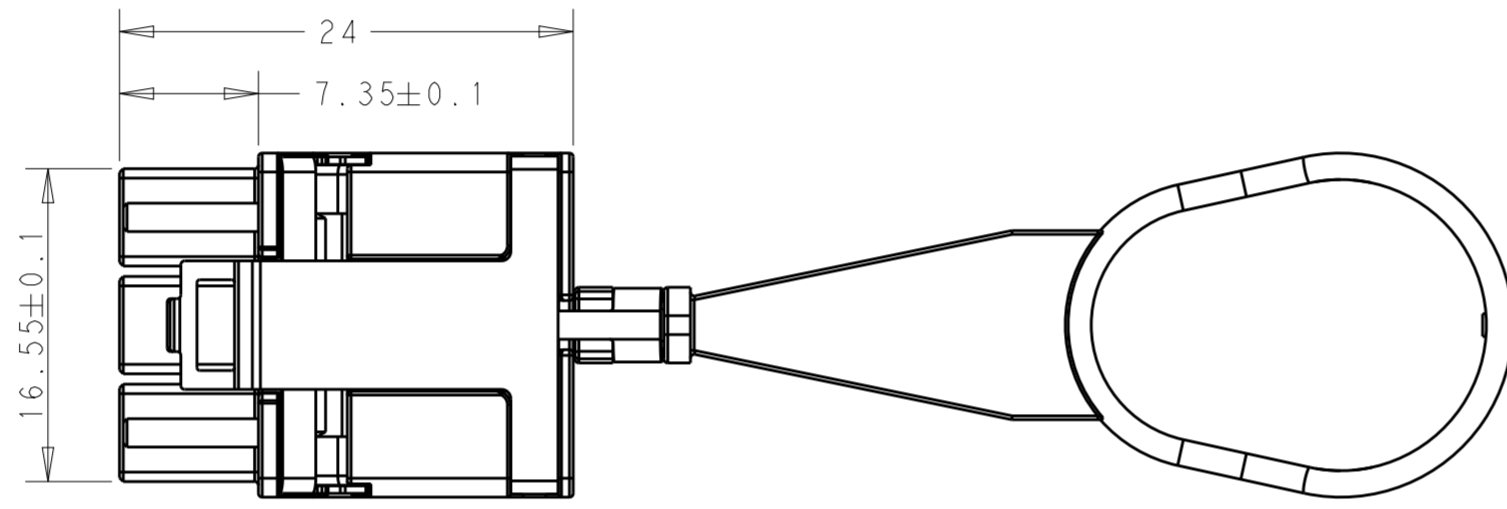
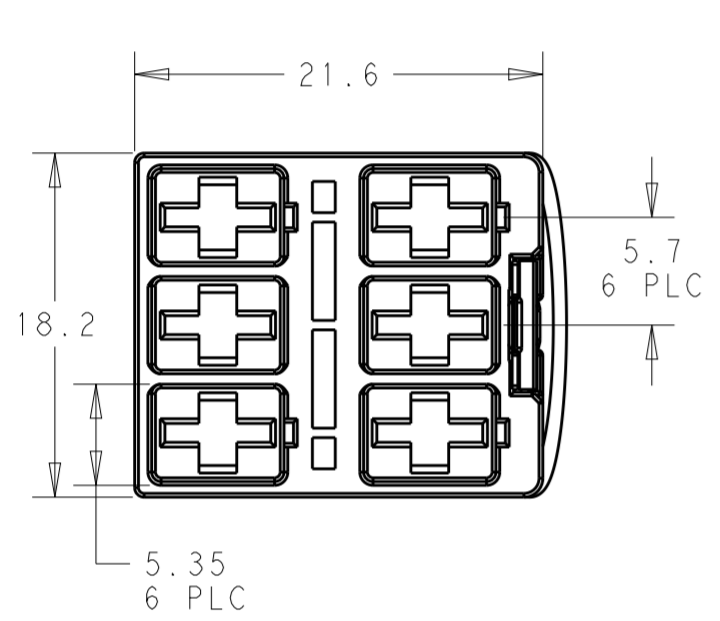
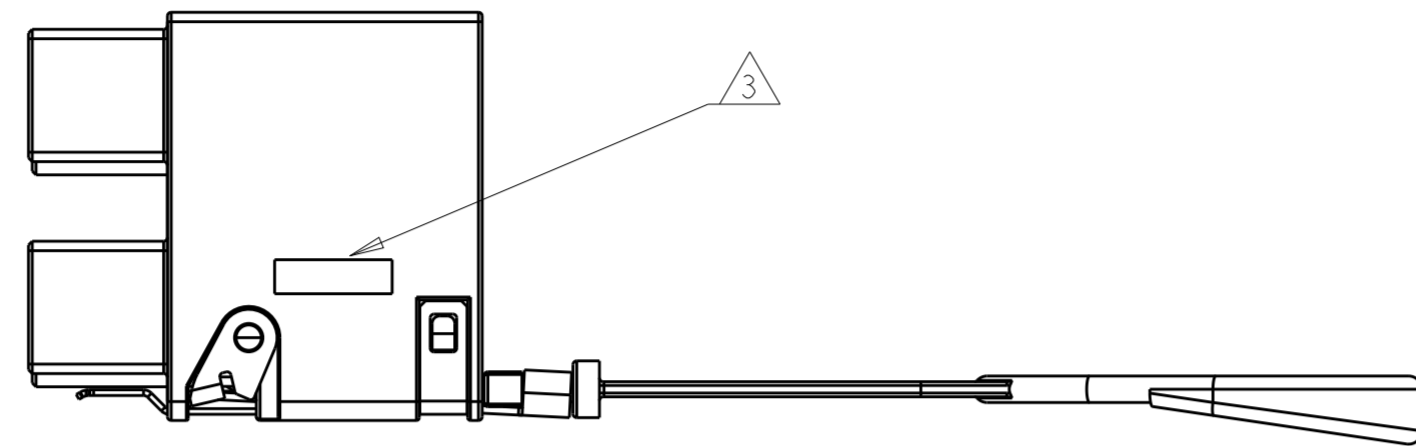


2204534-3 PART NUMBER

THIS DRAWING IS A CONTROLLED DOCUMENT.		DWN ORANDO LI 03APR2015	TE Connectivity	
		CHK ZHAO SUNY 03APR2015		
		APVD SUNY ZHAO 03APR2015	NAME ELCON Mini, 3-position cable conn. pull-tab, 6mm <sup>2</sup> max. wire	
DIMENSIONS: mm		PRODUCT SPEC 108-128028	SIZE A2	CAGE CODE -
TOLERANCES UNLESS OTHERWISE SPECIFIED:		APPLICATION SPEC 114-128029	DRAWING NO. C-2204534	RESTRICTED TO -
MATERIAL TBD		WEIGHT -	SCALE 1:1	SHEET 3 OF 4
		CUSTOMER DRAWING	REV B3	

THIS DRAWING IS UNPUBLISHED. RELEASED FOR PUBLICATION 20  
 © COPYRIGHT 20 BY - ALL RIGHTS RESERVED.

REVISIONS				
P	LTR	DESCRIPTION	DATE	APVD
-		SEE SHEET 1	-	-



THIS DRAWING IS A CONTROLLED DOCUMENT.		DWN 03APR2015	2204534-5 PART NUMBER	
DIMENSIONS: mm		CHK 03APR2015	<b>STC</b> TE Connectivity	
TOLERANCES UNLESS OTHERWISE SPECIFIED:		APVD 03APR2015		
0 PLC ±0.2		NAME ELCON Mini, 3-position cable conn. pull-tab, 6mm2 max. wire	RESTRICTED TO	
1 PLC ±0.1		PRODUCT SPEC 108-128028	-	
2 PLC ±0.05		APPLICATION SPEC 114-128029	SIZE A2	CAGE CODE -
3 PLC ±		WEIGHT -	DRAWING NO. C-2204534	
4 PLC ±		CUSTOMER DRAWING	SCALE 1:1	SHEET 4 OF 4
ANGLES ±			REV B3	
FINISH -				