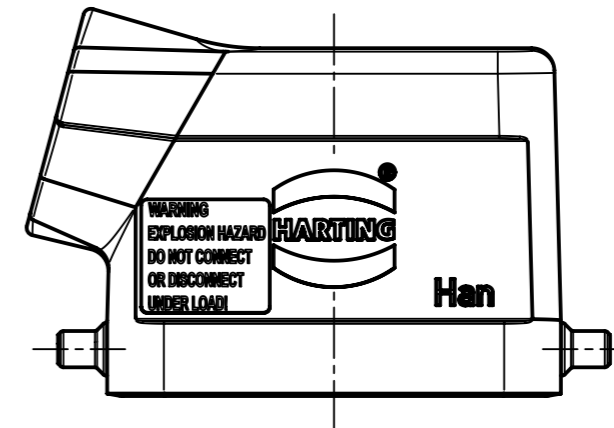
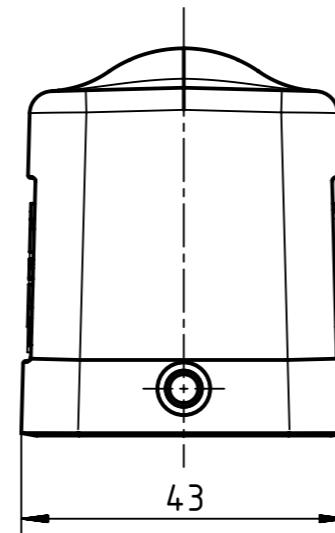
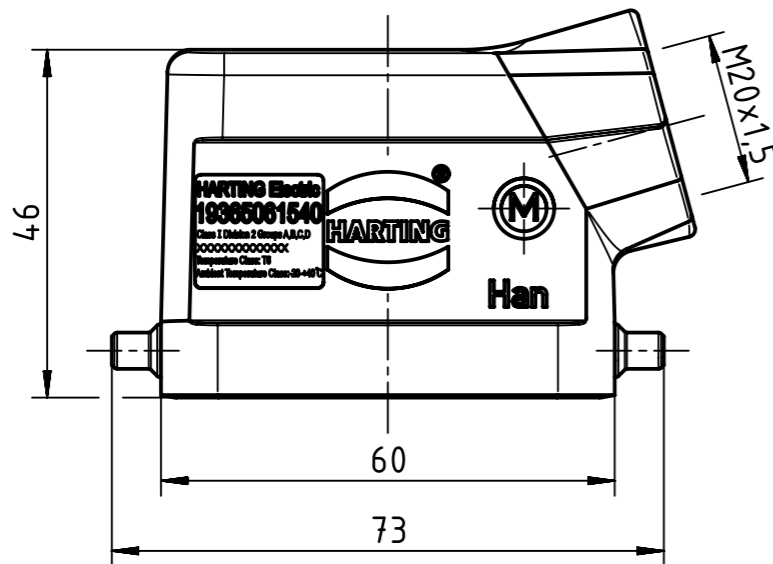
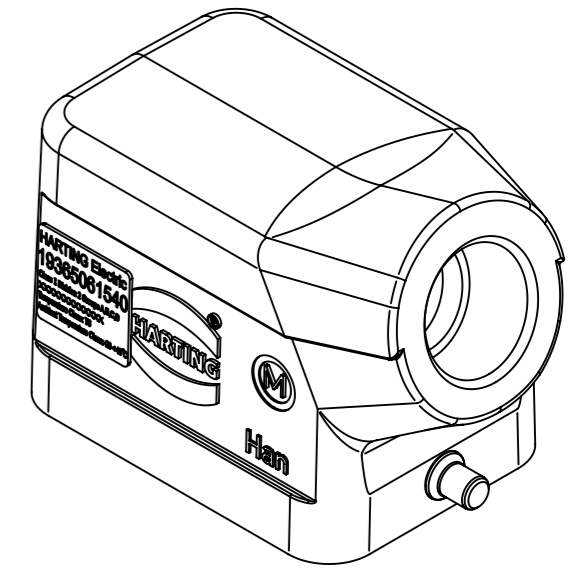


FOR USE WITH AWG 12, 14 AND 16

FOR USE WITH CABLE TYPE:  
PLTC, PLTC-ER, ITC, ITC-ER, MC, MV AND TC

FOR USE IN CLASS I, DIVISION 2 GROUPS A, B, C AND D  
HAZARDOUS LOCATIONS OR UNCLASSIFIED LOCATIONS



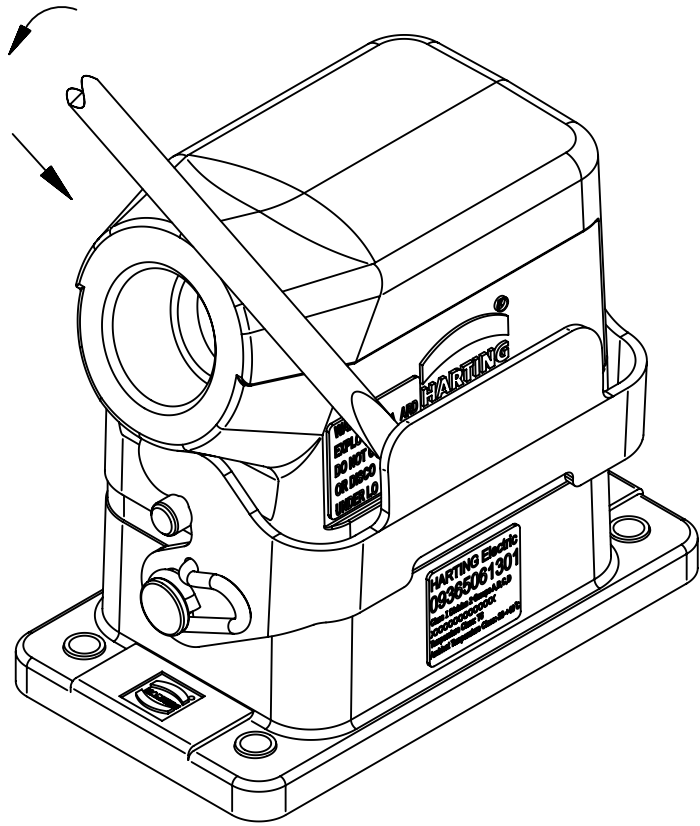
WARNING  
EXPLOSION HAZARD  
DO NOT CONNECT  
OR DISCONNECT  
UNDER LOAD!

THE INSTALLATION MUST BE IN ACCORDANCE WITH THE ASSOCIATED LOCATION RESTRICTIONS OF THE NATIONAL ELECTRIC CODE OR CANADIAN ELECTRICAL CODE AS APPLICABLE, INCLUDING ISSUES SUCH AS THE ROUTING, SUPPORT AND LENGTH OF THE INVOLVED CORD OR CABLE.

	All rights reserved Department EL PD	All Dimensions in mm Original Size DIN A3		Scale 1:1	Free size tol.	Ref. Sub.
		Created by LONGL		Inspected by WENE	Standardisation RUETERA	Date 2018-06-26
HARTING (Zhuhai) Manufacturing Co., Ltd. 519085 Zhuhai, China		Title Han 6Ex UL-HSE-M20			Doc-Key / ECM-Nr. 100670461/UGD/000/C 500000136857	
		Type TB	Number 19 36 506 1540		Rev. C	Page 1/2

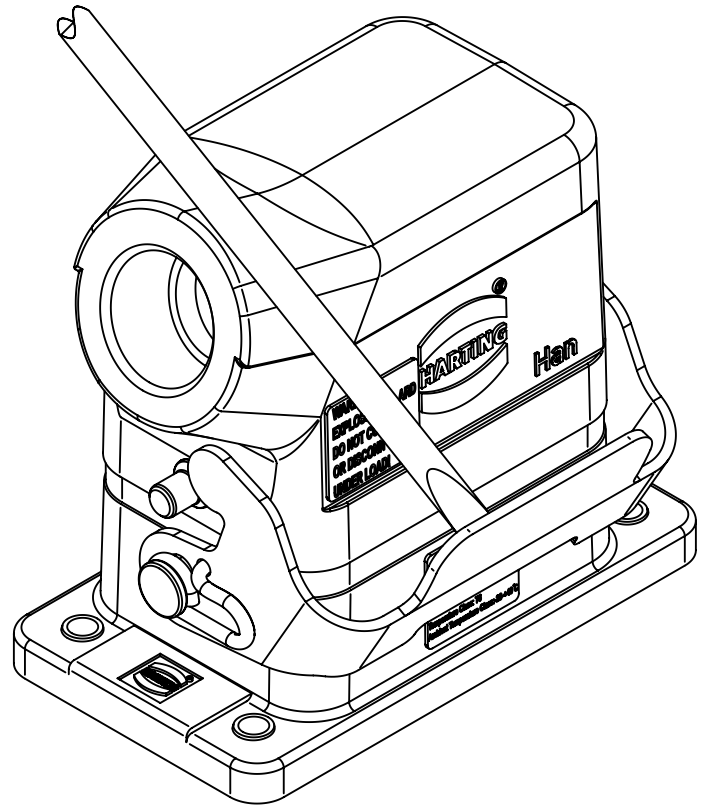
A

1.



B

2.



C

To separate connectors, insert small flat head tool or screwdriver between metal lever and housing as shown in the diagram,. Press screwdriver in a downward direction until the metal lever releases.

D

To secure the hood and housing assembly together, press the metal levers in the upward direction until metal lever latches into housing pins.