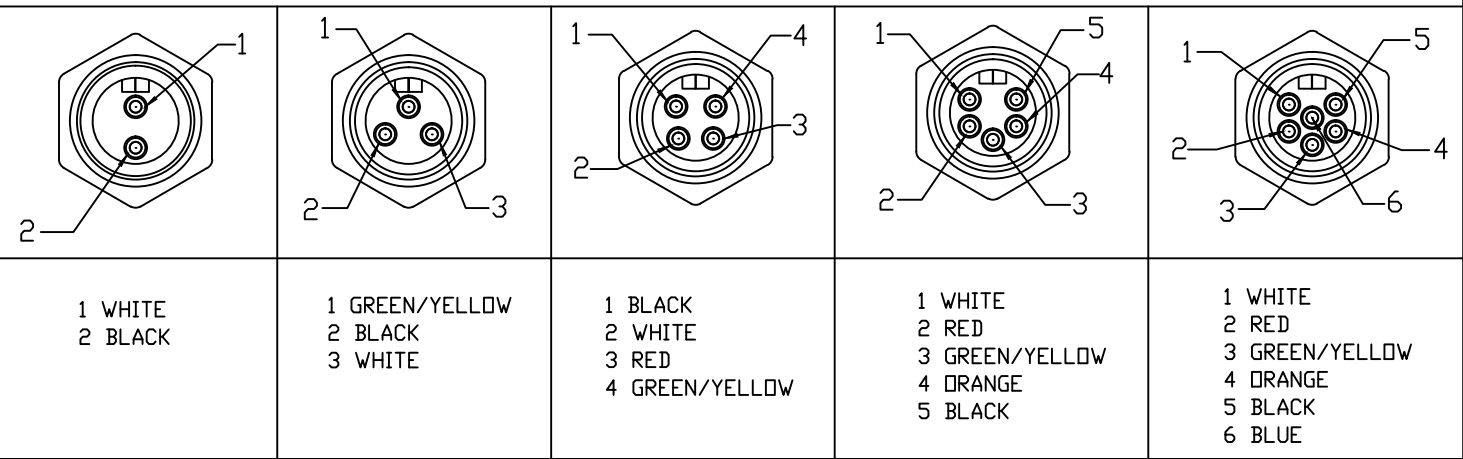


FACE VIEW - MALE INSERT

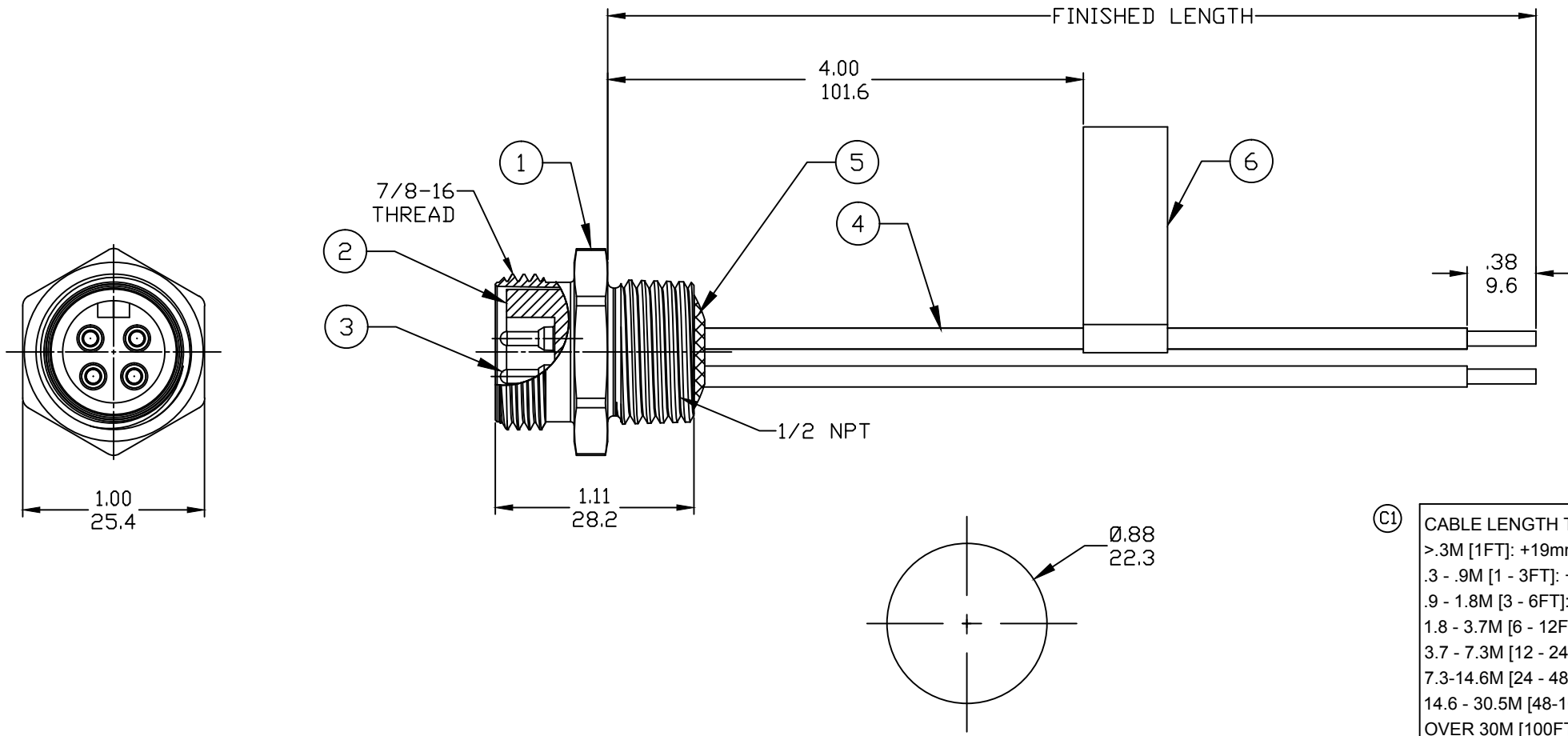


PART NUMBER LEGEND

1R3006A20F020  
 ↑ POLES 2-6      ↑ FINISHED LENGTH:  
 A120= 12 IN.  
 F020= 2 FEET  
 F100= 10 FEET  
 M005= 0.5 METER  
 M010= 1 METER  
 M100= 10 METER

PART NO.	ENGINEERING NO.	FINISHED LENGTH
1300130076	1R2006A20A120	12 IN
1300130223	1R3006A20M010	1.0M
1300130224	1R3006A20M020	2.0M

- NOTES:  
 1. MATERIAL: AS NOTED  
 2. FINISH: AS NOTED  
 3. ELECTRICAL:  
 VOLTAGE: 2 THRU 6P 600V PER UL 2238  
 3P 500V PER IEC 60664  
 4P 483V PER IEC 60664 (C1)  
 5 & 6P 400V PER IEC 60664  
 CURRENT: 2 & 3 POLE: 13A  
 4 POLE: 10A  
 5 & 6 POLE: 8A  
 4. TEMP RATING: -20°TO +105°C  
 5. PROTECTION: IP67 (WHEN MATED)  
 6. UL LISTED, FILE: E258922 FOR 3 & 4 POLE  
 UL RECOGNIZED, FILE: E152210 FOR 2, 5, & 6 POLE  
 7. ALL DIMS ARE FOR REFERENCE  
 UNLESS OTHERWISE NOTED



(C1) CABLE LENGTH TOLERANCES

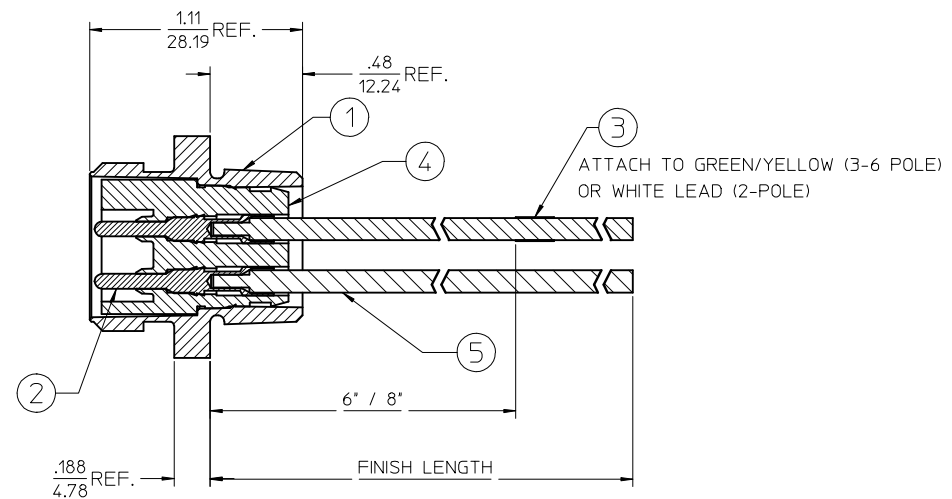
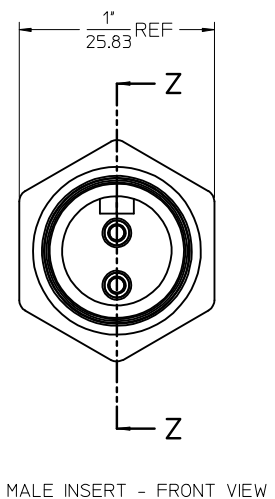
>.3M [1FT]:	+19mm-0 [+1.75in-0]
.3 - .9M [1 - 3FT]:	+44.5mm-0 [+1.75in-0]
.9 - 1.8M [3 - 6FT]:	+55.6mm-0 [+2.19in-0]
1.8 - 3.7M [6 - 12FT]:	+88.9mm-0 [+3.50in-0]
3.7 - 7.3M [12 - 24FT]:	+165.1mm-0 [+6.50in-0]
7.3-14.6M [24 - 48FT]:	+317.5mm-0 [+12.50in-0]
14.6 - 30.5M [48-100FT]:	+622.3mm-0 [+24.50in-0]
OVER 30M [100FT]	+2% OF FINISHED LENGTH

ITEM	COMPONENT	MATERIAL	FINISH
6	LABEL	VINYL	BLACK/YELLOW
5	POTTING	EPOXY	
4	WIRE, 16 AWG, UL 1015	PVC INSUL.	SEE FACE VIEW
3	CONTACT PIN	Cu ALLOY	GOLD PLATED
2	INSERT	PVC	YELLOW
1	RECEPTACLE SHELL	ZINC DIE-CAST	BLACK E-COAT

REV EC NO: IPG2017-0940 DRWN: RSTONE CHKD: K COX APPR: BWOODMAN 4/10/17 2017/04/28 2016/08/19	DIMENSION STYLE IN/MM	SCALE ---	DESIGN UNITS INCH	THIRD ANGLE PROJECTION
	DIMENSION TOLERANCES (UNLESS SPECIFIED)	DRAWN BY DATE RSTONE 2016/08/01	TITLE MINI CHANGE RECEPTACLE MALE 2 TO 6P 16 AWG	
	SYMBOLS ▽=0 ◻=0	CHECKED BY DATE K COX 2017/04/28	MOLEX INCORPORATED	
	DRAFT WHERE APPLICABLE MUST REMAIN WITHIN DIMENSIONS	APPROVED BY DATE TWOLDEGE 2016/08/19	MATERIAL NO. -	DOCUMENT NO. SD-130013-120
REV C1	SIZE B	THIS DRAWING CONTAINS INFORMATION THAT IS PROPRIETARY TO MOLEX INCORPORATED AND SHOULD NOT BE USED WITHOUT WRITTEN PERMISSION		

# FACE VIEW - MALE INSERT SCALE 2 : 1

1 WHITE 2 BLACK	1 GREEN/YELLOW 2 BLACK 3 WHITE	1 BLACK 2 WHITE 3 RED 4 GREEN/YELLOW	1 WHITE 2 RED 3 GREEN/YELLOW 4 ORANGE 5 BLACK	1 WHITE 2 RED 3 GREEN/YELLOW 4 ORANGE 5 BLACK 6 BLUE



FINAL ASSEMBLY  
1300130076

ENTER DESCRIPTION EC NO: MNA2010-0057 DRWN: NKUMAR01 2009/07/31 CHKD: JFMURPHY APPR: JFMURPHY 2009/08/10	QUALITY SYMBOLS ▽=0 ▽=0	GENERAL TOLERANCES (UNLESS SPECIFIED) <table border="1" style="width: 100%; border-collapse: collapse;"> <tr> <th></th> <th>mm</th> <th>INCH</th> </tr> <tr> <td>4 PLACES ±</td> <td>---</td> <td>± ---</td> </tr> <tr> <td>3 PLACES ±</td> <td>---</td> <td>± ---</td> </tr> <tr> <td>2 PLACES ±</td> <td>---</td> <td>± ---</td> </tr> <tr> <td>1 PLACE ±</td> <td>---</td> <td>± ---</td> </tr> </table> ANGULAR ±1/2°		mm	INCH	4 PLACES ±	---	± ---	3 PLACES ±	---	± ---	2 PLACES ±	---	± ---	1 PLACE ±	---	± ---	DIMENSION STYLE IN/MM DRAWN BY: NKUMAR01 DATE: 31/07/09 CHECKED BY: BWOODMAN DATE: 31/07/09 APPROVED BY: JFMURPHY DATE: 31/07/09	SCALE 2:1 DESIGN UNITS INCH	THIRD ANGLE PROJECTION MC 2P MR 12IN. 16/1 PVC	SHEET NO. 1 OF 2
		mm	INCH																		
	4 PLACES ±	---	± ---																		
	3 PLACES ±	---	± ---																		
2 PLACES ±	---	± ---																			
1 PLACE ±	---	± ---																			
MATERIAL NO. 9999999999	MOLEX INCORPORATED DOCUMENT NO. SD-130013-076		THIS DRAWING CONTAINS INFORMATION THAT IS PROPRIETARY TO MOLEX INCORPORATED AND SHOULD NOT BE USED WITHOUT WRITTEN PERMISSION																		
DRAFT WHERE APPLICABLE MUST REMAIN WITHIN DIMENSIONS																					

MALE RECEPTACLE ASSEMBLY

SI. No.	DESCRIPTION	MATERIAL	FINISH	QUANTITY				
				2 POLE	3 POLE	4 POLE	5 POLE	6 POLE
1	RECEPTACLE SHELL	ZINC DIECAST	BLACK E-COAT	1	1	1	1	1
2	PIN CONTACT 16AWG	COPPER ALLOY	GOLD PLATED	2	3	4	5	6
3	LABEL	PLASTIC FILM	BLACK/YELLOW	1	1	1	1	1
4	2P MALE INSERT PVC A SIZE	PVC	YELLOW	1				
	3P MALE INSERT PVC A SIZE	PVC	YELLOW		1			
	4P MALE INSERT PVC A SIZE	PVC	YELLOW			1		
	5P MALE INSERT PVC A SIZE	PVC	YELLOW				1	
	6P MALE INSERT PVC A SIZE	PVC	YELLOW					1
5	#16-1 WHT PVC WIRE UL1015	PVC JACKET	WHITE	1	1	1	1	1
	#16-1 RED PVC WIRE UL1015	PVC JACKET	RED					1
	#16-1 ORN PVC WIRE UL1015	PVC JACKET	ORANGE		1	1	1	1
	#16-1 GRN/YEL PVC WIRE UL1015	PVC JACKET	GREEN/YELLOW				1	1
	#16-1 BLU PVC WIRE UL1015	PVC JACKET	BLUE			1	1	1
	#16-1 BLK PVC WIRE UL1015	PVC JACKET	BLACK	1	1	1	1	1

PART NUMBER	DESCRIPTION	FINISHED LENGTH
1300130076	1R2006A20A120	12.0" +.75" -0 [0.3M +19.1MM -0]
1300130084	1R2006A20F060	6.0' +2.19" -0 [1.8M +55.6MM -0]
1300130202	1R3006A20A120	12.0" +.75" -0 [0.3M +19.1MM -0]
1300130215	1R3006A20F060	6.0' +2.19" -0 [1.8M +55.6MM -0]
1300130353	1R4006A20A120	12.0" +.75" -0 [0.3M +19.1MM -0]
1300130361	1R4006A20F060	6.0' +2.19" -0 [1.8M +55.6MM -0]
1300130493	1R5006A20A120	12.0" +.75" -0 [0.3M +19.1MM -0]
1300130503	1R5006A20F060	6.0' +2.19" -0 [1.8M +55.6MM -0]
1300130593	1R6006A20A120	12.0" +.75" -0 [0.3M +19.1MM -0]
1300130605	1R6006A20F060	6.0' +2.19" -0 [1.8M +55.6MM -0]

POLE COUNT	MAX. VOLTAGE RATING	MAX. CURRENT RATING
2 POLE	600 VOLTS	13 AMPS
3 POLE	600 VOLTS	13 AMPS
4 POLE	600 VOLTS	10 AMPS
5 POLE	600 VOLTS	8 AMPS
6 POLE	600 VOLTS	8 AMPS

<b>ENTER DESCRIPTION</b> EC NO: MNA2010-0057 DRAWN BY: DRWINAKUMAR01 2009/07/31 CHKD: APPR: JFMURPHY 2009/08/10 REV: A	QUALITY SYMBOLS 	GENERAL TOLERANCES (UNLESS SPECIFIED) <table border="1"> <tr> <th></th> <th>mm</th> <th>INCH</th> </tr> <tr> <td>4 PLACES</td> <td>± .005</td> <td>± .0002</td> </tr> <tr> <td>3 PLACES</td> <td>± .005</td> <td>± .0002</td> </tr> <tr> <td>2 PLACES</td> <td>± .005</td> <td>± .0002</td> </tr> <tr> <td>1 PLACE</td> <td>± .005</td> <td>± .0002</td> </tr> </table>		mm	INCH	4 PLACES	± .005	± .0002	3 PLACES	± .005	± .0002	2 PLACES	± .005	± .0002	1 PLACE	± .005	± .0002	DIMENSION STYLE IN/MM DRAWN BY: NKUMAR01 DATE: 31/07/09 CHECKED BY: BWOODMAN DATE: 31/07/09 APPROVED BY: JFMURPHY DATE: 31/07/09	SCALE 2:1 DESIGN UNITS INCH THIRD ANGLE PROJECTION	TITLE MC 2P MR 12IN. 16/1 PVC
			mm	INCH																
		4 PLACES	± .005	± .0002																
		3 PLACES	± .005	± .0002																
2 PLACES	± .005	± .0002																		
1 PLACE	± .005	± .0002																		
DRAFT WHERE APPLICABLE MUST REMAIN WITHIN DIMENSIONS	MATERIAL NO. 9999999999	DOCUMENT NO. SD-130013-076	SHEET NO. 2 OF 2																	
THIS DRAWING CONTAINS INFORMATION THAT IS PROPRIETARY TO MOLEX INCORPORATED AND SHOULD NOT BE USED WITHOUT WRITTEN PERMISSION																				