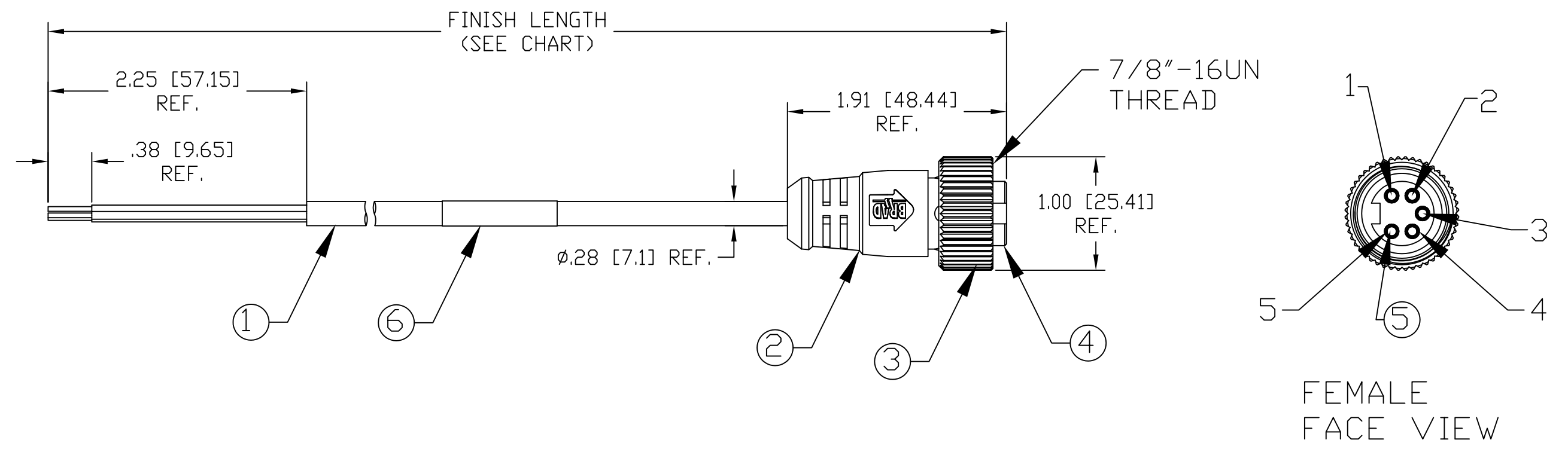
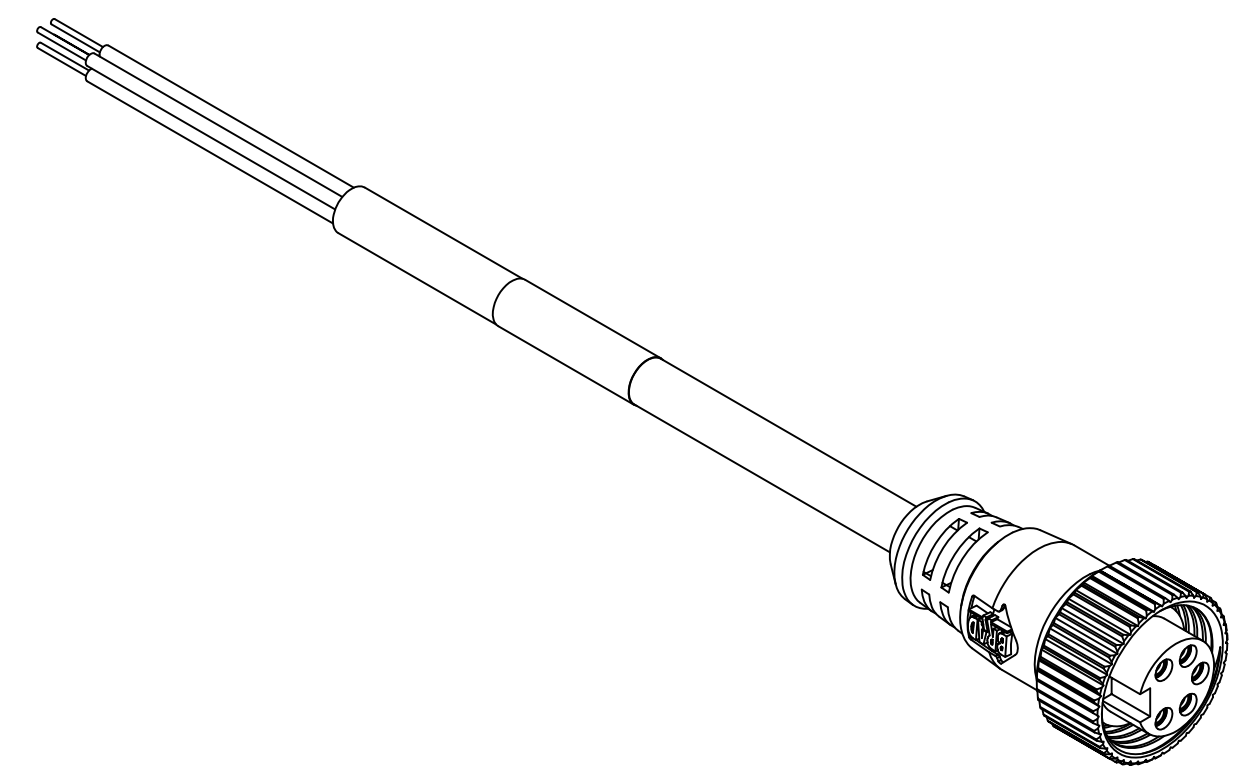


13	12	11	10	9	8	7	6	5	4	3	2	1
PART NUMBER	ENGINEERING NUMBER	FINISH LENGTH										
1300061256	105000A03F030	3.00' +1.75" -0 [.9M +44.5 -0]										
1300061257	105000A03F060	6.00' +2.19" -0 [1.8M +55.6 -0]										
1300061260	105000A03F120	12.00' +3.50" -0 [3.7M +88.9 -0]										
1300061263	105000A03F150	15.00' +6.50" -0 [4.6M +165.1 -0]										
1300061264	105000A03F200	20.00' +6.50" -0 [6.1M +165.1 -0]										
1300061267	105000A03F250	25.00' +12.50" -0 [7.6M +317.5 -0]										



P1

1	RED WITH WHITE
2	RED
3	GREEN-GND
4	RED WITH YELLOW
5	RED WITH BLACK

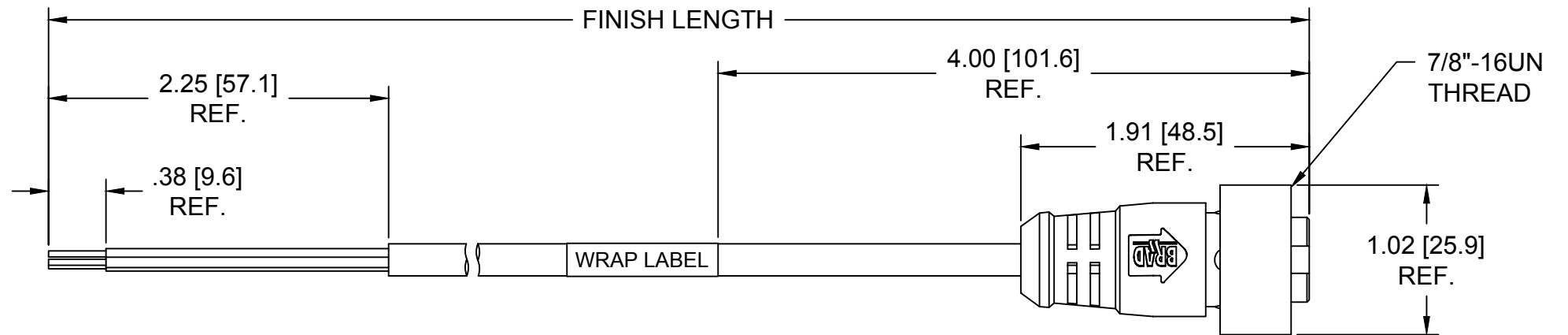
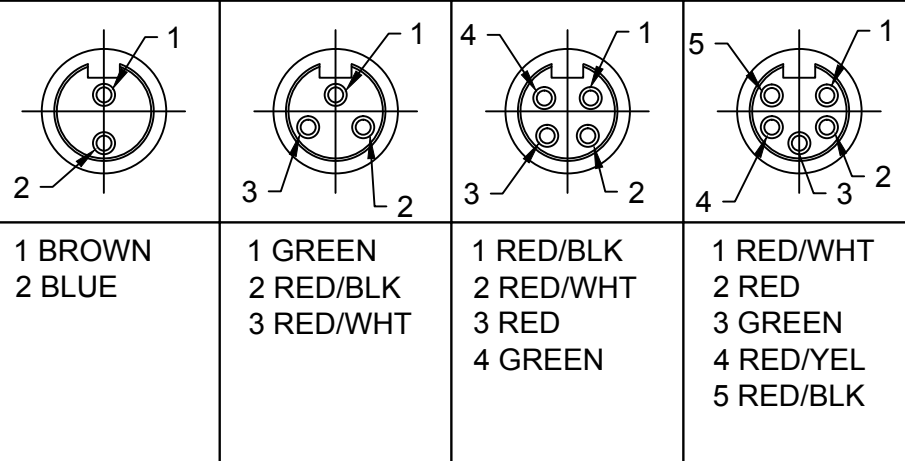
WIRING DIAGRAM

- NOTE
- 1) MATERIAL: SEE TABLE
  - 2) FINISHES: SEE TABLE
  - 3) WRAP LABEL IS MARKED WITH P/N, DATE CODE, VOLTAGE & AMPERAGE
  - 4) MATES WITH: MINI CHANGE, 5 POLE RECEPTACLE
  - 5) ELECTRICAL DATA:  
 INLINE CORDSET  
 FEMALE A-SIZE WITH FLYING LEADS  
 20AWG UNSHIELDED  
 POLES: 5  
 MAX. VOLTAGE: 300V  
 MAX. CURRENT 5.6A  
 PROTECTION IP67  
 TEMPERATURE RANGE: -20°C TO 105°C
  - 6) PACKAGING:  
 CABLE ASSEMBLIES ARE BAGGED SEPERATELY  
 IN POLY BAGS WITH BAR CODE LABEL ATTACHED  
 TO OUTSIDE OF BAG.
  - 7) ASSEMBLY IS RoHS COMPLIANT.
  - 8) CERTIFICATION  
 CSA CERTIFIED, FILE NO. LR6837

ITEM	QTY.	DESCRIPTION	MATERIAL	FINISH
6	1	LABEL	PLASTIC FILM	BLACK/YELLOW
5	5	CONTACT SOCKET	COPPER ALLOY	GOLD PLATED
4	1	INSERT	PVC	YELLOW
3	1	COUPLING NUT	ZINC DIE CAST	BLACK E-COATED
2	1	OVERMOLD	PVC	YELLOW
1	1	CABLE, 18 AWG-5	PVC	YELLOW

RELEASE EC NO: WNA2010-0397 DRWN: BWOODMAN2009/12/29 CH'KD: LHARTMAN APPR: JFMURPHY 2010/01/05	DESCRIPTION REV	<b>QUALITY SYMBOL</b> $\nabla = 0$ $\sphericalangle = 0$	<b>GENERAL TOLERANCES (UNLESS SPECIFIED)</b> <table border="1"> <tr> <th></th> <th>mm</th> <th>INCH</th> </tr> <tr> <td>4 PLACES</td> <td><math>\pm .---</math></td> <td><math>\pm .---</math></td> </tr> <tr> <td>3 PLACES</td> <td><math>\pm .---</math></td> <td><math>\pm .005</math></td> </tr> <tr> <td>2 PLACES</td> <td><math>\pm 0.13</math></td> <td><math>\pm 0.010</math></td> </tr> <tr> <td>1 PLACE</td> <td><math>\pm 0.25</math></td> <td><math>\pm 0.020</math></td> </tr> </table>		mm	INCH	4 PLACES	$\pm .---$	$\pm .---$	3 PLACES	$\pm .---$	$\pm .005$	2 PLACES	$\pm 0.13$	$\pm 0.010$	1 PLACE	$\pm 0.25$	$\pm 0.020$	<b>DIMENSION STYLE</b> IN/MM DRAWN BY: _____ DATE: _____ CHECKED BY: _____ DATE: _____ APPROVED BY: _____ DATE: _____ JFMURPHY 2010/01/05	SCALE: 1:1 DESIGN UNITS: INCH THIRD ANGLE PROJECTION
			mm	INCH																
		4 PLACES	$\pm .---$	$\pm .---$																
		3 PLACES	$\pm .---$	$\pm .005$																
2 PLACES	$\pm 0.13$	$\pm 0.010$																		
1 PLACE	$\pm 0.25$	$\pm 0.020$																		
DRAFT WHERE APPLICABLE MUST REMAIN WITHIN DIMENSIONS			MATERIAL NO. SEE CHART SIZE C	TITLE: MINI CHANGE ASSEMBLY 5-POLE FEMALE ST 18/5AWG PVC AUTO MOLEX INCORPORATED DOCUMENT NO. SD-130006-030 SHEET NO. 1 OF 1																
THIS DRAWING CONTAINS INFORMATION THAT IS PROPRIETARY TO MOLEX INCORPORATED AND SHOULD NOT BE USED WITHOUT WRITTEN PERMISSION																				

FACE VIEW-FEMALE INSERT



10X000A03XXXXX

POLES	LENGTH	COUPLING NUT
2	M010 - 1 METER	1 - SS STR.
3	M100 - 10 METER	2 - N-M
4	F060 - 6 FEET	3 - NB
5	F600 - 60 FEET	8 - SS HEX BLANK - ZINC STR.

SPECIFICATIONS

MATERIALS:

COUPLING NUT: SEE CHART  
 CONTACTS: COPPER ALLOY, GOLD PLATED  
 INSERT: PVC, YELLOW  
 OVERMOLD: PVC, YELLOW  
 CABLE: 18AWG YELLOW PVC, 2-5 CONDUCTORS DEPENDENT ON POLE COUNT

ELECTRICAL:

CURRENT RATING: 10A (2P & 3P), 7A (4P), 5.6A (5P)  
 VOLTAGE: 300V

MECHANICAL:

TEMPERATURE RATING: -20°C TO 105°C  
 PROTECTION: IP67 (IN FULLY MATED POSITION)

INITIAL RELEASE EC NO: IPG2015-0104 DRWN: BARDEN 2014/07/17 CHKD: BRUPERT 2014/07/18 APPR: JFMURPHY 2014/08/02	DESCRIPTION REV	QUALITY SYMBOLS	GENERAL TOLERANCES (UNLESS SPECIFIED)		DIMENSION STYLE		SCALE	DESIGN UNITS	THIRD ANGLE PROJECTION			
		$\nabla=0$ $\sphericalangle=0$	mm	INCH	IN/MM	NTS	INCH	MINI-CHANGE ASSEMBLY 2-5P FE STRAIGHT 18AWG CABLE MOLEX INCORPORATED				
		4 PLACES ±--- ±--- 3 PLACES ±--- ±.005 2 PLACES ±0.13 ±.010 1 PLACE ±0.25 ±.020	ANGULAR ±1/2°		DRAWN BY DATE	TITLE						
		DRAFT WHERE APPLICABLE MUST REMAIN WITHIN DIMENSIONS	SEE CHART		BARDEN 2014/07/17 CHECKED BY DATE BRUPERT 2014/07/18 APPROVED BY DATE JFMURPHY 2014/08/02	MOLEX DOCUMENT NO. SD-130006-070	SHEET NO. 1 OF 1					

THIS DRAWING CONTAINS INFORMATION THAT IS PROPRIETARY TO MOLEX INCORPORATED AND SHOULD NOT BE USED WITHOUT WRITTEN PERMISSION