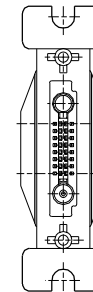


RECESS FOR CABLE STRAIN RELIEF GROMMET  
(SCALE 5:1) SEE NOTE 5

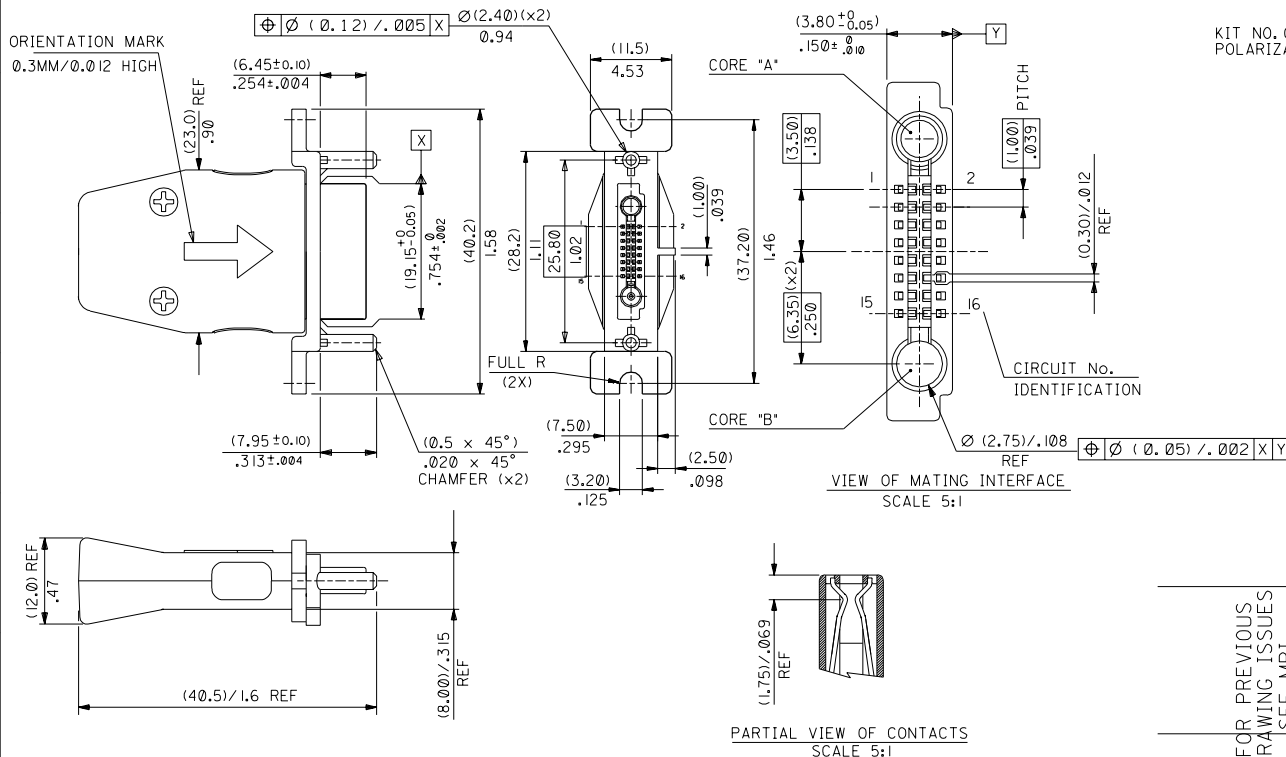
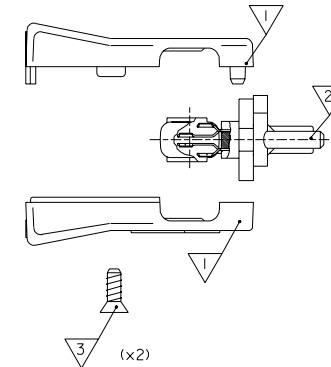
KIT No.	RF CORING CONFIG		
	CORE 'A'	CORE 'B'	
90812-0001	VOID	RF	SEE NOTE 6
90812-0002	RF	VOID	SEE NOTE 6
90812-0003	RF	RF	SEE NOTE 6
90812-0004	VOID	VOID	
90812-0005	RF	RF	SEE NOTE 6

BILL OF MATERIALS

NO.	DESCRIPTION
1	UPPER SHELL LOWER SHELL
2	16 CIRCUIT I/O MOBILE PHONE CRADLE CONNECTOR
3	SCREWS : SELF TAPPING



KIT NO. OPTION 90812-0005 WITH  
POLARIZATION FEATURE REMOVED



VIEW OF MATING INTERFACE  
SCALE 5:1

PARTIAL VIEW OF CONTACTS  
SCALE 5:1

NOTES:

- MATERIALS:  
SHELLS : 30% GLASS FILLED POLYESTER (UL94V-0, COLOUR: BLACK)  
CRADLE HOUSING : 50% GLASS FILLED NYLON 4/6 (COLOUR: BLACK).  
SIGNAL CONTACTS: BERYLLIUM COPPER (0.25MM)/.009 THICK REF.  
PLATING, (0.10um)/.004um MIN GOLD FLASH, ON (1.0um)/.039um MIN  
PALLIDIUM NICKEL, WITH (1.27um)/.050um MIN NICKEL UNDERPLATE,  
(3-5um)/.118-.197um MIN TIN IN THE SOLDER CUP AREA .
- MATES WITH SERIES 90811 HANDSET CONNECTOR.
- COMPONENTS TO BE PACKED IN BOX FOR 200 CONNECTORS  
ITEM 2 TO BE PACKAGED IN TUBES  
OTHER COMPONENTS TO BE PACKAGED IN PLASTIC BAGS.  
SEE PACKING SPECIFICATION
- SEE PRODUCT SPECIFICATION No. PS-99020-0033
- FOR ASSEMBLY SEE APPLICATION SPECIFICATION ES-99041-0001 .
- FOR RF COAX INSERT USE MOLEX 90853-0001 SUPPLIED SEPARATELY

FOR PREVIOUS DRAWING ISSUES SEE MRI.	REMOVE LEAD FROM PLATING ECN E2004-0574 04/02/25 DC	REVISIONS	DIMENSIONS SHOWN ( METRIC ) INCH UNLESS OTHERWISE SPECIFIED TOLERANCES ANGULAR ± ° INCH ( METRIC )	DRWG BY HDU
	LTR	1 PLACE ± .008 2 PLACE ± .004 ± 0.05 3 PLACE ± 0.10 DRAFT WHERE APPLICABLE MUST REMAIN WITHIN DIMENSIONS	DESIGN DIMENSION □ (MM) (PRIMARY) □ IN.	CHK'D BY
		EQUIVALENT DIMENSION (SECONDARY) □ (MM) □ IN.	SCALE 2:1	APP'D BY

REVISE ONLY ON CAD SYSTEM		SH.	REV.
CAD/CAM FILE NAME S90812X DGN	THIS DRAWING CONTAINS INFORMATION THAT IS PROPRIETARY TO MOLEX INC. & SHOULD NOT BE USED WITHOUT WRITTEN PERMISSION		
TITLE SYSTEM CONNECTOR CRADLE KIT			
MOLEX EUROPE		SHEET NO. DATE 10F 1 93/11/25	
PART NO. SEE CHART	DWG NO. SDA-90812	SIZE C	

PART NO. SEE CHART  
DWG NO. SDA-90812