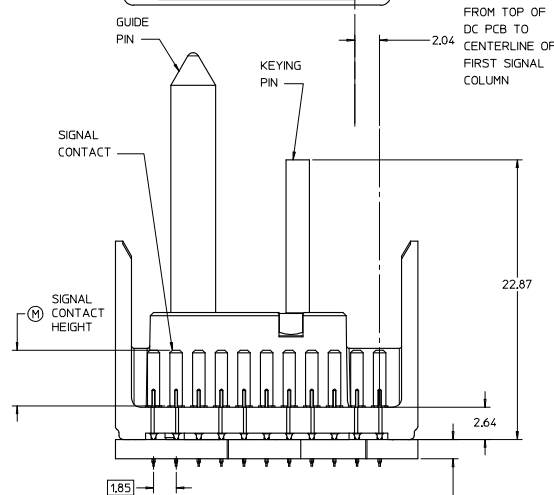
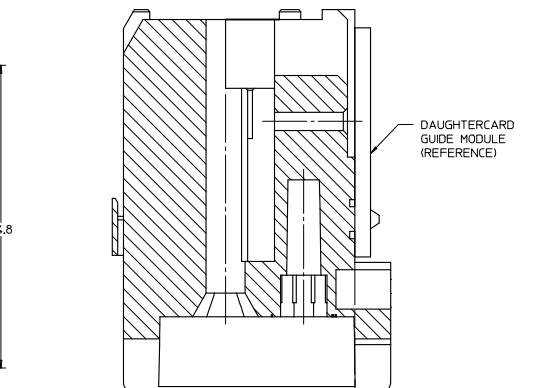


THE PRIMARY CARTON WITH A LABEL STATING "ELV AND RoHS COMPLAINT" IS LEAD FREE. CARTONS WITHOUT THIS LABEL MAY CONTAIN LEAD.

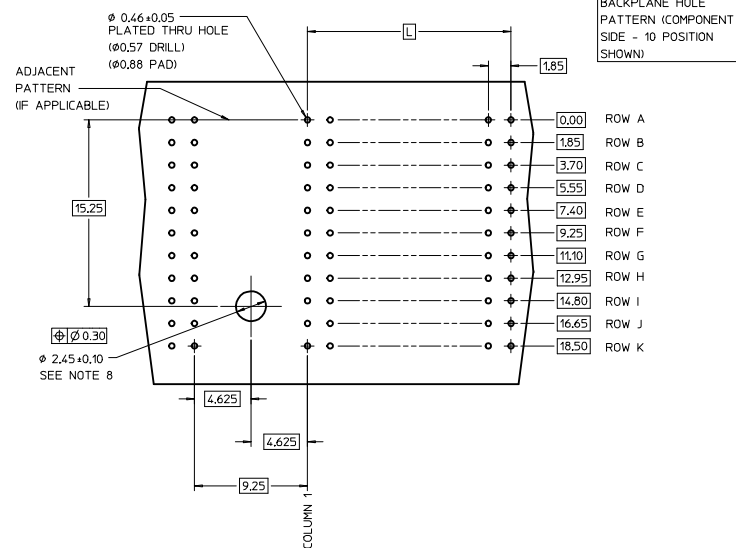
- NOTES:**
1. MATERIAL: HOUSING - LIQUID CRYSTAL POLYMER (LCP) GLASS-FILLED, UL 94V-0. COLOR - GRAY. SIGNAL CONTACT - HIGH PERFORMANCE COPPER ALLOY.
 2. FINISHES: SELECTIVE GOLD (Au) ON CONTACT AREA, SELECTIVE MATTE TIN (Sn) ON PCB TAILS, NICKEL (Ni) OVERALL.
 3. THIS PART CONFORMS TO MOLEX PRODUCT SPECIFICATION PS-75221-999.
 4. FOR MIXED CONTACT MATING LENGTHS CONSULT MOLEX FOR AVAILABILITY.
 5. 10 COLUMN 4 PAIR L-SERIES SHOWN FOR ILLUSTRATION PURPOSES ONLY. FOR SPECIFIC PART NUMBER AND MATING INFORMATION PLEASE REFER TO CHART.
 6. PACKAGE PER PK-70873-563.
 7. MARK PART NUMBER AND DATE CODE APPROXIMATELY WHERE SHOWN.
 8. OPTIONAL HOLE LOCATION FOR GROUNDED GUIDE PIN OR ADDITIONAL GUIDE PIN SUPPORT. FOR GROUNDED GUIDE PIN, HOLE TO BE PLATED, DRILL SIZE #25#, PAD SIZE #55#.
 9. THESE PARTS CONFORM TO MOLEX COSMETIC SPECIFICATION PS-45499-002 CLASS B.
 10. MAPS (MOLEX ADVANCED PLATING SYSTEM).



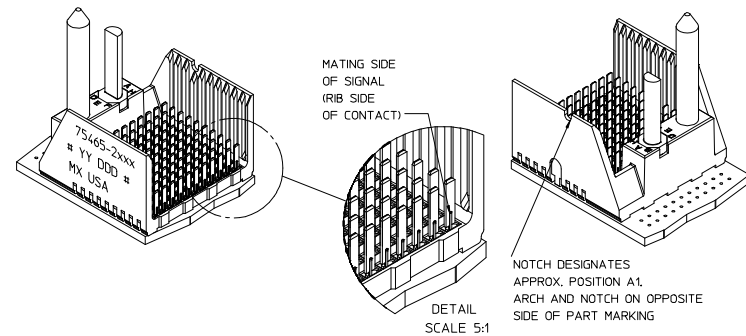
| 75465-2*** | PIN LENGTH DIM 'M' | GOLD (Au) THICKNESS micrometers |
|------------|--------------------|---------------------------------|
| COLUMN | 0=3.55 mm | |
| 21=10 COL | 1=4.55 mm | 0.25 (MAPS) |
| 22=25 COL | 2=5.55 mm | |
| 25= 5 COL | 3=3.55 mm | 0.76 |
| | 4=4.55 mm | |
| | 5=5.55 mm | |
| | 7=3.55 mm | 1.27 |
| | 8=4.55 mm | |
| | 9=5.55 mm | |

| ASSY PART NO. | K | L | P | TOTAL NO. OF CONTACTS |
|---------------|----|-------|-------|-----------------------|
| 75465-21** | 9 | 16.65 | 24.78 | 110 |
| 75465-22** | 24 | 44.40 | 52.53 | 275 |
| 75465-25** | 4 | 7.40 | 15.53 | 55 |

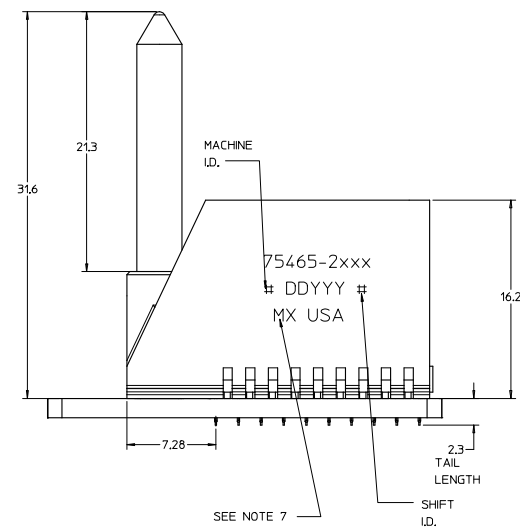
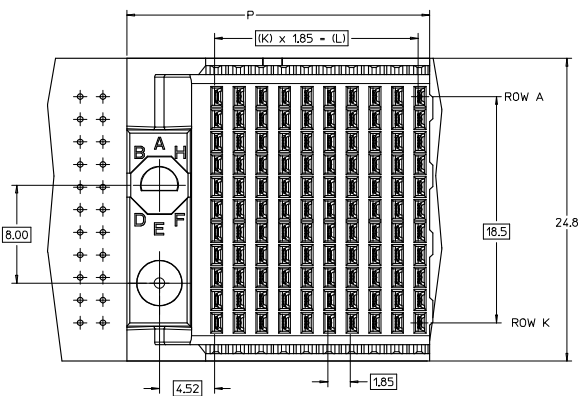
LEAD-FREE PLATING



| P/N | -**0* | -**1* | -**2* | -**3* | -**4* | -**5* | -**6* | -**7* | -**8* |
|------------------------|-------|-------|-------|-------|-------|-------|-------|-------|-------|
| 75465-() | 0 | A | B | C | D | E | F | G | H |
| KEYING PIN ORIENTATION | | | | | | | | | |

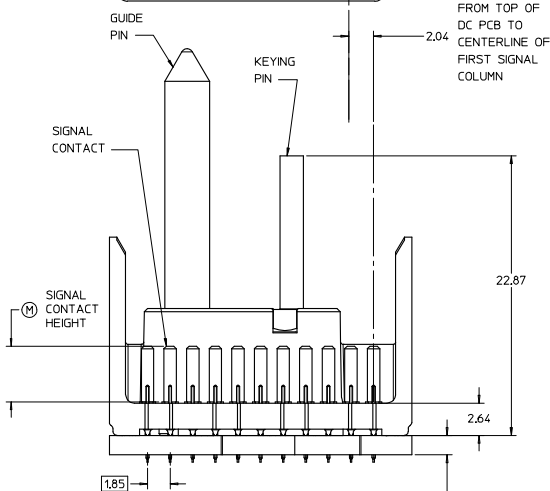
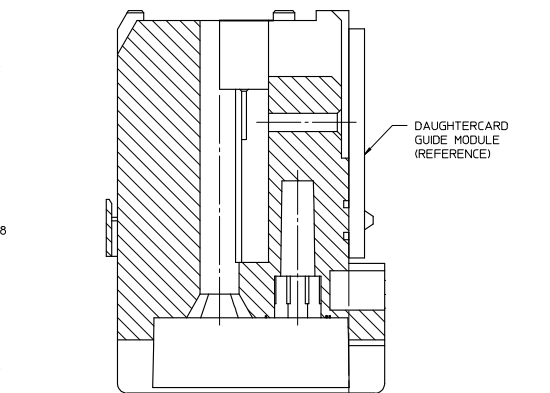


| REV TO LEAD-FREE | QUALITY SYMBOLS | GENERAL TOLERANCES (UNLESS SPECIFIED) | DIMENSION STYLE | SCALE | DESIGN UNITS | THIRD ANGLE PROJECTION |
|-------------------------|-----------------|--|---|-------|--------------|------------------------|
| REV NO: UCP2013-0690 | ▽=0 | 4 PLACES ±--- ±--- | MM ONLY | 5:1 | METRIC | ☉ |
| DRWNGS 2012/09/06 | ▽=0 | 3 PLACES ±--- ±--- | | | | |
| CHKD:WOLFE 2012/09/07 | ▽=0 | 2 PLACES ±0.25 ±--- | | | | |
| APPR:SMILLER 2012/12/05 | ▽=0 | 1 PLACE ±0.38 ±--- | | | | |
| | | 0 PLACE ± ±--- | | | | |
| | | ANGULAR ±1/2° | | | | |
| | | DRAFT WHERE APPLICABLE MUST REMAIN WITHIN DIMENSIONS | | | | |
| | | | DRAWN BY DATE | | | |
| | | | NMARTIN 2004/12/17 | | | |
| | | | CHECKED BY DATE | | | |
| | | | SREED 2004/12/17 | | | |
| | | | APPROVED BY DATE | | | |
| | | | CBIXLER 2004/12/17 | | | |
| | | | MATERIAL NO. | | | |
| | | | SEE CHART | | | |
| | | | SIZE 1 | | | |
| | | | THIS DRAWING CONTAINS INFORMATION THAT IS PROPRIETARY TO MOLEX INCORPORATED AND SHOULD NOT BE USED WITHOUT WRITTEN PERMISSION | | | |
| | | | TITLE | | | |
| | | | GBX 4-PAIR L-SERIES LF LEFT END BACKPLANE SALES ASSEMBLY DRAWING | | | |
| | | | DOCUMENT NO. | | | |
| | | | SD-75465-210 | | | |
| | | | SHEET NO. | | | |
| | | | 1 OF 1 | | | |



THE PRIMARY CARTON WITH A LABEL STATING "ELV AND RoHS COMPLAINT" IS LEAD FREE. CARTONS WITHOUT THIS LABEL MAY CONTAIN LEAD.

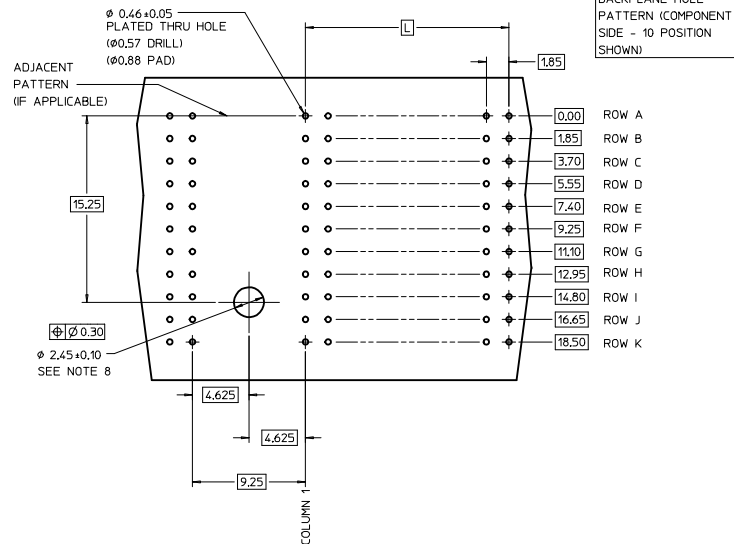
- NOTES:**
1. MATERIAL: HOUSING - LIQUID CRYSTAL POLYMER (LCP) GLASS-FILLED, UL 94V-0. COLOR - GRAY. SIGNAL CONTACT - HIGH PERFORMANCE COPPER ALLOY.
 2. FINISHES: SELECTIVE GOLD (Au) ON CONTACT AREA, SELECTIVE MATTE TIN (Sn) ON PCB TAILS, NICKEL (Ni) OVERALL.
 3. THIS PART CONFORMS TO MOLEX PRODUCT SPECIFICATION PS-75221-999.
 4. FOR MIXED CONTACT MATING LENGTHS CONSULT MOLEX FOR AVAILABILITY.
 5. 10 COLUMN 4 PAIR L-SERIES SHOWN FOR ILLUSTRATION PURPOSES ONLY. FOR SPECIFIC PART NUMBER AND MATING INFORMATION PLEASE REFER TO CHART.
 6. PACKAGE PER PK-70873-563.
 7. MARK PART NUMBER AND DATE CODE APPROXIMATELY WHERE SHOWN.
 8. OPTIONAL HOLE LOCATION FOR GROUNDED GUIDE PIN OR ADDITIONAL GUIDE PIN SUPPORT. FOR GROUNDED GUIDE PIN, HOLE TO BE PLATED, DRILL SIZE #25H. PAD SIZE #550.
 9. THESE PARTS CONFORM TO MOLEX COSMETIC SPECIFICATION PS-45499-002 CLASS B.
 10. MAPS (MOLEX ADVANCED PLATING SYSTEM).



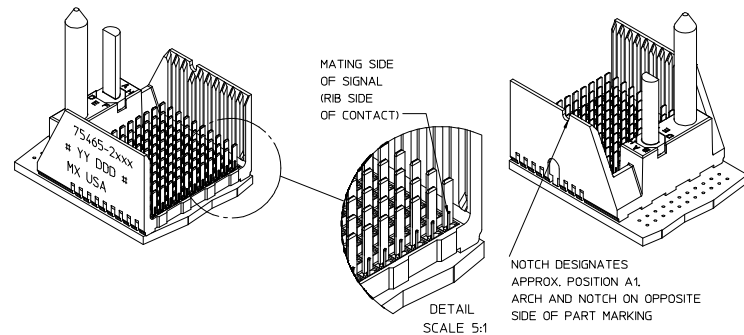
| 75465-2*** | | PIN LENGTH DIM 'M' | GOLD (Au) THICKNESS micrometers |
|------------|-----------------|--------------------|---------------------------------|
| COLUMN | KEYING POSITION | 0=3.55 mm | 0.25 (MAPS) |
| 21-10 COL | NONE = 0 | 1=4.55 mm | |
| 22-25 COL | 1 = A | 2=5.55 mm | 0.76 |
| 25= 5 COL | 2 = B | 3=3.55 mm | |
| | ETC.. | 4=4.55 mm | 1.27 |
| | | 5=5.55 mm | |
| | | 7=3.55 mm | |
| | | 8=4.55 mm | |
| | | 9=5.55 mm | |

| ASSY PART NO. | K | L | P | TOTAL NO. OF CONTACTS |
|---------------|----|-------|-------|-----------------------|
| 75465-21** | 9 | 16.65 | 24.78 | 110 |
| 75465-22** | 24 | 44.40 | 52.53 | 275 |
| 75465-25** | 4 | 7.40 | 15.53 | 55 |

LEAD-FREE PLATING



| P/N | -**0* | -**1* | -**2* | -**3* | -**4* | -**5* | -**6* | -**7* | -**8* |
|------------------------|-------|-------|-------|-------|-------|-------|-------|-------|-------|
| 75465-() | 0 | A | B | C | D | E | F | G | H |
| KEYING PIN ORIENTATION | | | | | | | | | |



| | | | | |
|---|---|--|--|--|
| REV TO LEAD-FREE IEC NO: LCP2013-0690 DRAWINGS 2012/09/06 CHYKOWITZ 2012/09/07 APPROVALS MILLER 2012/12/05 | QUALITY SYMBOLS ∇=0 ∇=0 ∇=0 | GENERAL TOLERANCES (UNLESS SPECIFIED) DIMENSION STYLE MM ONLY SCALE 5:1 DESIGN UNITS METRIC THIRD ANGLE PROJECTION | DRAWN BY DATE NMARTIN 2004/12/17 CHECKED BY DATE SREED 2004/12/17 APPROVED BY DATE CBIXLER 2004/12/17 | TITLE GBX 4-PAIR L-SERIES LF LEFT END BACKPLANE SALES ASSEMBLY DRAWING molex MATERIAL NO. SD-75465-210 DOCUMENT NO. SD-75465-210 SHEET NO. 1 OF 1 |
| | ANGULAR ±1/2° DRAFT WHERE APPLICABLE MUST REMAIN WITHIN DIMENSIONS | SEE CHART THIS DRAWING CONTAINS INFORMATION THAT IS PROPRIETARY TO MOLEX INCORPORATED AND SHOULD NOT BE USED WITHOUT WRITTEN PERMISSION | | |
| | | | | |
| | | | | |