

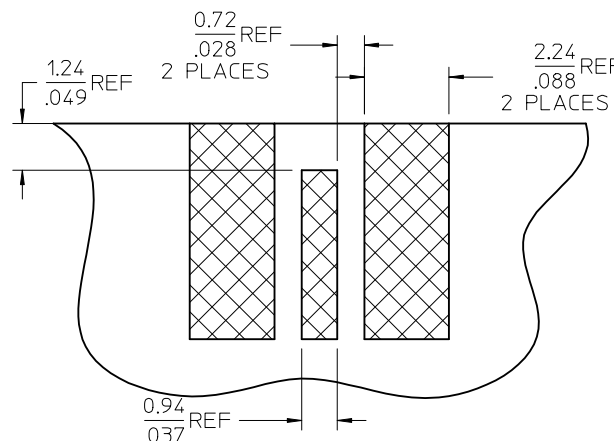
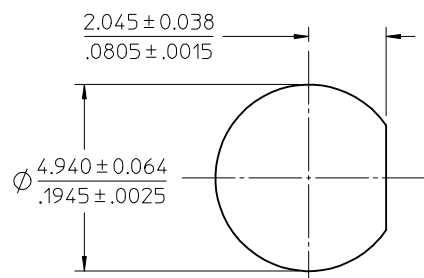
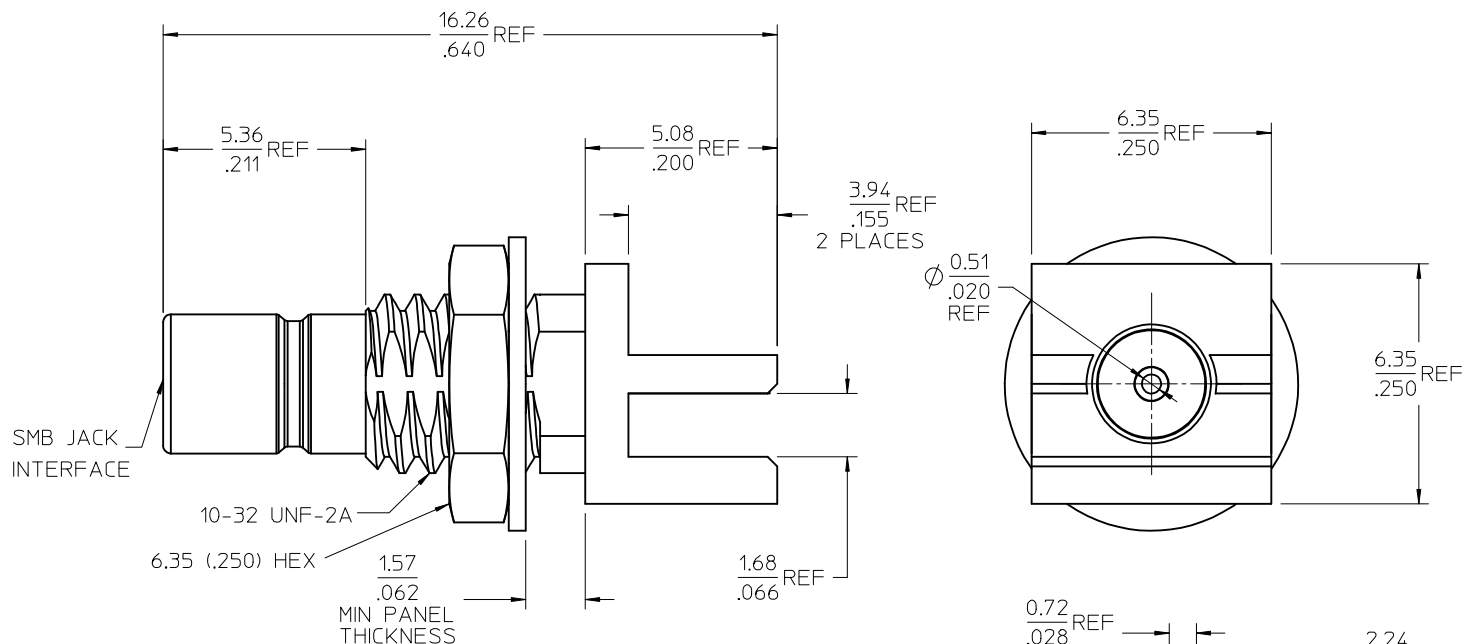
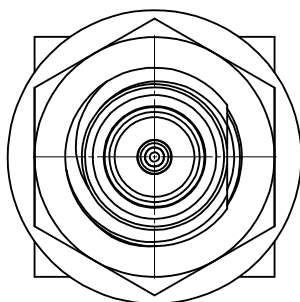
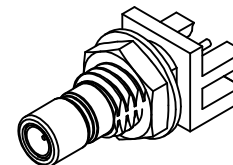
MATERIALS AND FINISHES:

BODY & JAM NUT BRASS  
PLATED SEE TABLE

CONTACT BRASS  
PLATED GOLD

INSULATOR TEFLON

LOCKWASHER PHOSPHER BRONZE  
PLATED SEE TABLE



IMPEDANCE: 50 OHM±5%

73404-2193	GOLD	NOT INCLUDED
73404-2192	NICKEL	NOT INCLUDED
73404-2191	NICKEL	INCLUDED
73404-2190	GOLD	INCLUDED
PART NO.	PLATING	HARDWARE

MIL-STD-348A, FIG 311-1	INTERFACE
SPECIFICATION	DESCRIPTION

CHG: ADDED -2193  
EC NO: URF2009-0415  
DRWN: WIENER 2009/01/29  
CHKD: SHAH 2009/01/29  
APPR: WIENER 2009/01/29

QUALITY SYMBOLS  
▽=0  
▽=0

GENERAL TOLERANCES (UNLESS SPECIFIED)

	mm	INCH
4 PLACES ±	---	---
3 PLACES ±	---	---
2 PLACES ±	---	---
1 PLACE ±	---	---

ANGULAR ± 2 °

DRAFT WHERE APPLICABLE MUST REMAIN WITHIN DIMENSIONS

DIMENSION STYLE MM/IN

DRAWN BY SSS	DATE 2006/10/12
CHECKED BY TEF	DATE 2006/10/12
APPROVED BY JDW	DATE 2006/10/12

MATERIAL NO. SEE TABLE

SCALE DESIGN UNITS METRIC

THIRD ANGLE PROJECTION

TITLE SMB JACK, STR, 50 OHMS  
EDGEMOUNT, BLKHD  
EWR-3213 SMB-J/PCB

MOLEX MOLEX INCORPORATED

DOCUMENT NO. SD-73404-219

SHEET NO. 1 OF 1

THIS DRAWING CONTAINS INFORMATION THAT IS PROPRIETARY TO MOLEX INCORPORATED AND SHOULD NOT BE USED WITHOUT WRITTEN PERMISSION