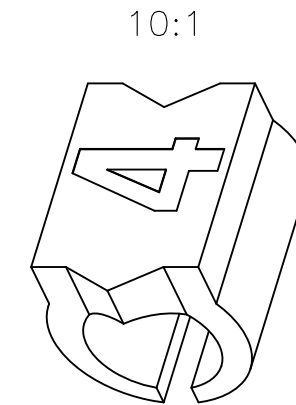
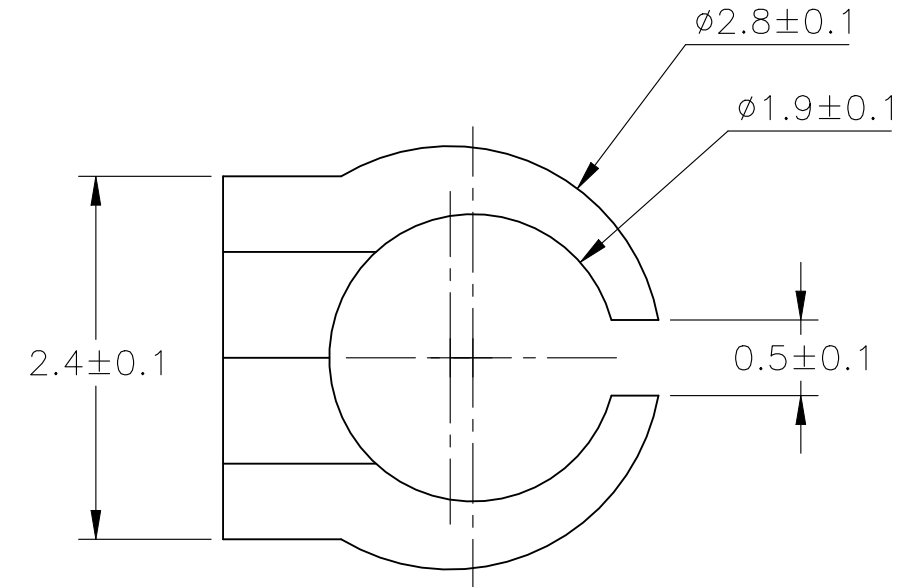
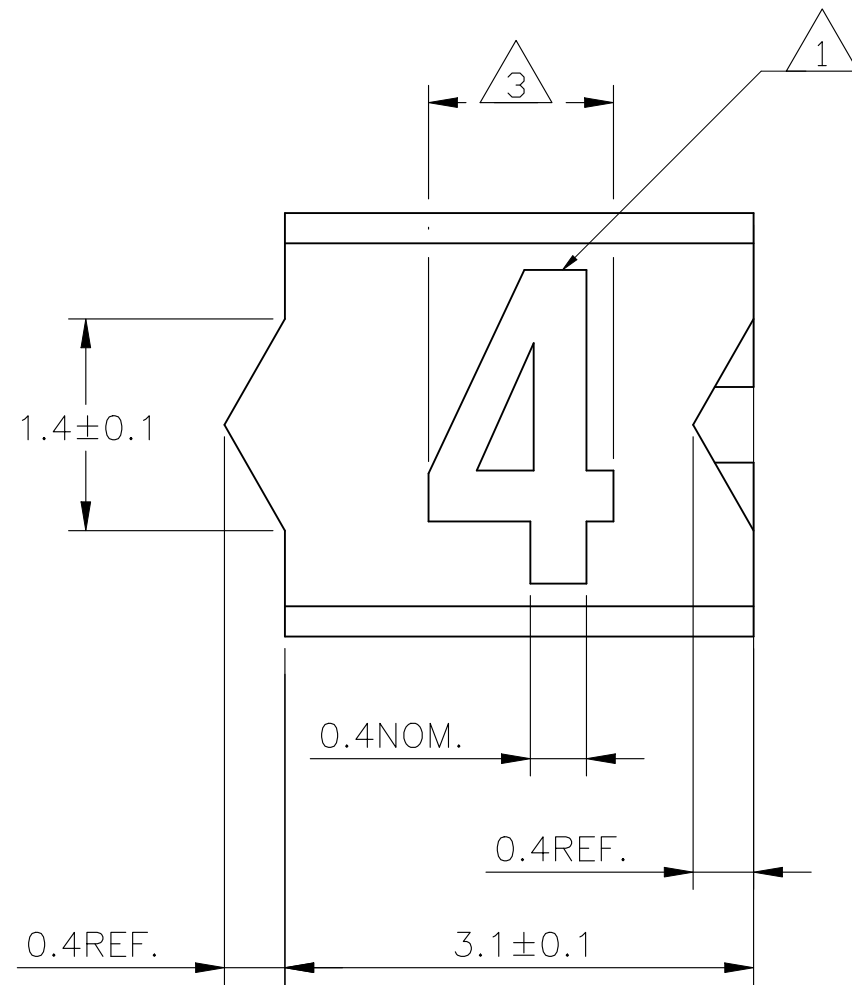
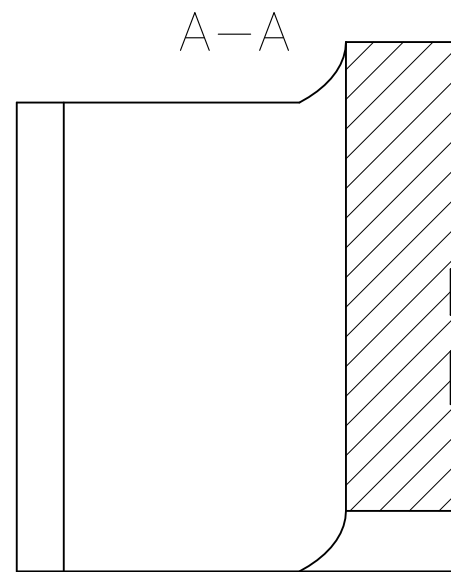
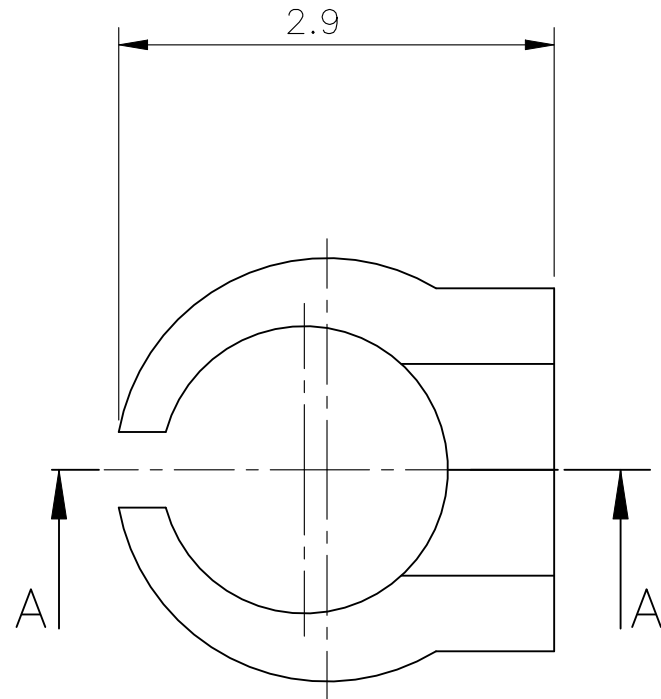


P	LTR	DESCRIPTION	DATE	DWN	APVD
3		REVISED PER ECR-20-010947	04AUG2020	GK	AK

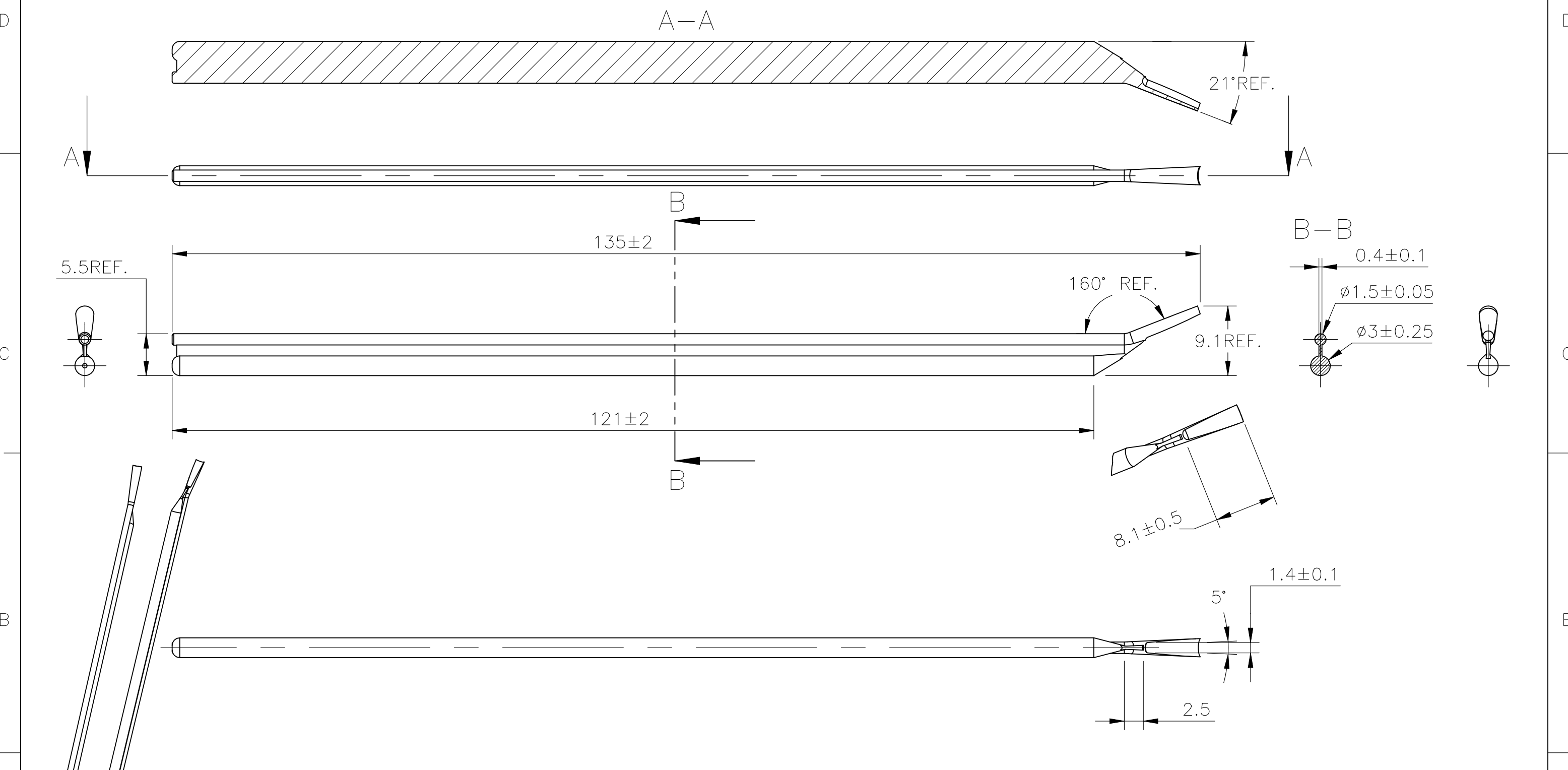


NOTES:

- △1 FOR PART NUMBERS SEE SHEET 3 OF 3.
- △2 MARK SHOULD BE CENTRALLY POSITIONED ±0.1mm
- △3 WIDTH OF MARK DEPENDS ON CHARACTER PRINTED

THIS DRAWING IS A CONTROLLED DOCUMENT.		DWN RAGHAVENDRA K 23MAR2013	TE Connectivity Ltd.		
		CHK KEAN ALAN 23MAR2013			
		APVD MARIO APPELLO 23MAR2013	NAME SNAP-ON MARKER STB/STD SIZE 03 WITH APPLICATOR		
DIMENSIONS: mm		TOLERANCES UNLESS OTHERWISE SPECIFIED:		PRODUCT SPEC	
		0 PLC	± -	APPLICATION SPEC	
		1 PLC	± -	-	
		2 PLC	± -	-	
		3 PLC	± -	-	
MATERIAL		FINISH		SIZE	RESTRICTED TO
-		-		A3 A00YM	-
				DRAWING NO	CAGE CODE
				C-3-1198178-7	-
				SCALE	SHEET
				NTS	1 OF 3
				REV	4
				CUSTOMER DRAWING	

REVISIONS					
P	LTR	DESCRIPTION	DATE	DWN	APVD
-	-	SEE SHEET 1	-	-	-



A

THIS DRAWING IS A CONTROLLED DOCUMENT.

DIMENSIONS:	TOLERANCES UNLESS OTHERWISE SPECIFIED:
mm	
	0 PLC ± -
	1 PLC ± -
	2 PLC ± -
	3 PLC ± -
	4 PLC ± -
	ANGLES ± -

MATERIAL - FINISH -

DWN RAGHAVENDRA K 23MAR2013  
 CHK KEAN ALAN 23MAR2013  
 APVD MARIO APPELLO 23MAR2013

PRODUCT SPEC -  
 APPLICATION SPEC -  
 WEIGHT -

TE Connectivity Ltd.			
NAME		SNAP-ON MARKER STB/STD SIZE 03 WITH APPLICATOR	
SIZE	CAGE CODE	DRAWING NO	RESTRICTED TO
A3	A00YM	C-3-1198178-7	-

CUSTOMER DRAWING SCALE NTS SHEET 2 OF 3 REV 4

REVISIONS

P	LTR	DESCRIPTION	DATE	DWN	APVD
-	-	SEE SHEET 1	-	-	-

DESCRIPTION	PART NUMBER
STB03-0-0	4-1768037-8
STB03-0-3	5-1768412-4
STB03-0-5-BLK	1-1768427-9
STB03-0-8	5-1768037-1
STB03-1-0	5-1768037-2
STB03-1-1	5-1768037-3
STB03-1-8	5-1768037-6
STB03-2-2	5-1768037-8
STB03-2-3	5-1768412-6
STB03-2-5	5-1768037-9
STB03-2-8	6-1768037-0
STB03-3-3	6-1768037-3
STB03-3-8	6-1768037-5
STB03-4-8	7-1768037-0
STB03-5-5	7-1768037-3
STB03-5-8	7-1768037-4
STB03-6-6	7-1768037-8
STB03-6-8	7-1768037-9
STB03-7-7	8-1768037-3
STB03-7-8	8-1768037-4
STB03-8-0	8-1768037-5
STB03-8-3	6-1768412-1
STB03-8-5-BLK	2-1768427-0
STB03-8-8	8-1768037-8
STB03-9-3	6-1768412-2
STB03-9-8	9-1768037-2
STB03-V-6	1-1768038-5

DESCRIPTION	PART NUMBER
STD03W-A	167476-000
STD03W-B	213166-000
STD03W-C	586908-000
STD03W-D	845704-000
STD03W-E	916196-000
STD03W-F	032218-000
STD03W-G	122028-000
STD03W-H	801234-000
STD03W-I	761148-000
STD03W-J	000666-000
STD03W-K	384850-000
STD03W-L	053232-000
STD03W-M	236988-000
STD03W-N	581086-000
STD03W-P	969958-000
STD03W-Q	185576-000
STD03W-R	559060-000
STD03W-S	376500-000
STD03W-T	006340-000
STD03W-U	593358-000
STD03W-V	875154-000
STD03W-W	026896-000
STD03W-X	593434-000
STD03W-Y	982978-000
STD03W-Z	033694-000


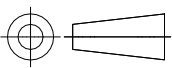
DESCRIPTION	PART NUMBER
STB03-BLANK-0	9-1768037-5
STB03-BLANK-1	9-1768037-6
STB03-BLANK-2	9-1768037-7
STB03-BLANK-3	9-1768037-8
STB03-BLANK-5	9-1768037-9
STB03-BLANK-6	1768038-1
STB03-BLANK-7	1768038-2
STB03-BLANK-8	1768038-3

DESCRIPTION	PART NUMBER
STD03Y-A	345038-000
STD03Y-B	588040-000
STD03Y-C	4-1768042-2
STD03Y-D	4-1768042-4
STD03Y-E	4-1768042-7
STD03Y-F	886822-000
STD03Y-G	5-1768042-1
STD03Y-H	361720-000
STD03Y-I	413464-000
STD03Y-J	5-1768042-4
STD03Y-K	657680-000
STD03Y-L	5-1768042-6
STD03Y-M	5-1768042-8
STD03Y-N	6-1768042-1
STD03Y-P	6-1768042-3
STD03Y-Q	755512-000
STD03Y-R	6-1768042-5
STD03Y-S	992474-000
STD03Y-T	6-1768042-8
STD03Y-U	6-1768042-9
STD03Y-V	7-1768042-0
STD03Y-W	7-1768042-1
STD03Y-X	666390-000
STD03Y-Y	7-1768042-2
STD03Y-Z	956734-000

DESCRIPTION	PART NUMBER
STD03W/SA	1-1768042-5
STD03W/SAB	1-1768042-6
STD03W/SB	1-1768042-7
STD03Y/SA	3-1768042-5
STD03W-AC	1-1768042-8
STD03W-BLANK	2-1768042-0
STD03W-COLON	548746-000
STD03W-DOT	2-1768042-3
STD03W-EARTH	351404-000
STD03W-MINUS	3-1768042-0
STD03W-PLUS	3-1768042-3
STD03W-SLASH	489958-000
STD03Y-AC	3-1768042-8
STD03Y-BLANK	4-1768042-0
STD03Y-COLON	4-1768042-3
STD03Y-DOT	4-1768042-6
STD03Y-EARTH	4-1768042-8
STD03Y-MINUS	5-1768042-9
STD03Y-PLUS	6-1768042-4
STD03Y-SLASH	6-1768042-7

DESCRIPTION	PART NUMBER
STD03W-0	321874-000
STD03W-1	496764-000
STD03W-2	369880-000
STD03W-3	434716-000
STD03W-4	092790-000
STD03W-5	403072-000
STD03W-6	571230-000
STD03W-7	345774-000
STD03W-8	446638-000
STD03W-9	070440-000
STD03Y-0	768714-000
STD03Y-1	197036-000
STD03Y-2	610528-000
STD03Y-3	770010-000
STD03Y-4	499680-000
STD03Y-5	998356-000
STD03Y-6	518144-000
STD03Y-7	443352-000
STD03Y-8	774414-000
STD03Y-9	090056-000

OBSOLETE	
DESCRIPTION	PART NUMBER
<del>STD03Y-E-LC</del>	<del>4-1768042-9</del>
<del>STD03Y-K-LC</del>	<del>5-1768042-5</del>
<del>STD03Y-A-LC</del>	<del>3-1768042-9</del>
<del>STD03Y-B-LC</del>	<del>4-1768042-1</del>
<del>STD03W-A-LC</del>	<del>1-1768042-9</del>
<del>STD03W-B-LC</del>	<del>2-1768042-1</del>
<del>STD03W-D-LC</del>	<del>2-1768042-2</del>
<del>STD03W-E-LC</del>	<del>2-1768042-4</del>
<del>STD03W-H-LC</del>	<del>2-1768042-7</del>
<del>STD03W-K-LC</del>	<del>2-1768042-8</del>
<del>STD03W-R-LC</del>	<del>3-1768042-4</del>

THIS DRAWING IS A CONTROLLED DOCUMENT.		DWN RAGHAVENDRA K 23MAR2013	 TE Connectivity Ltd.	
DIMENSIONS: mm		CHK KEAN ALAN 23MAR2013		
TOLERANCES UNLESS OTHERWISE SPECIFIED:		APVD MARIO APPELLO 23MAR2013	NAME SNAP-ON MARKER STB/STD SIZE 03 WITH APPLICATOR	
		PRODUCT SPEC -	-	
0 PLC ± - 1 PLC ± - 2 PLC ± - 3 PLC ± - 4 PLC ± - ANGLES ± -		APPLICATION SPEC -	-	
MATERIAL -	FINISH -	WEIGHT -	SIZE A3	CAGE CODE A00YM
CUSTOMER DRAWING			DRAWING NO C-3-1198178-7	RESTRICTED TO -
			SCALE NTS	SHEET 3 of 3
			REV 4	