

- NOTES:
1. ALL PARTS TO BE BULK PACKED UNLESS NOTED.
 2. INSTA CLICK PANEL MOUNT ASSEMBLY IS SUPPLIED WITH CONTACTS INSERTED INTO THE CONNECTOR. ACCEPTS WIRE 12, 14 AND 16 AWG.
 3. ALL DIMENSIONS ARE REFERENCED IN INCHES [MM], WITHIN ± 0.015 UNLESS NOTED.

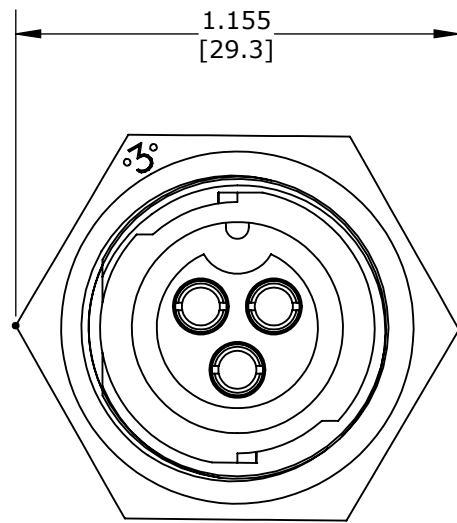
W 4 X 8 X - X SG - P - 3 XX

CONTACT SIZES
 1' - SIZE #12
 2' - SIZE #20
 3' - SIZE #16

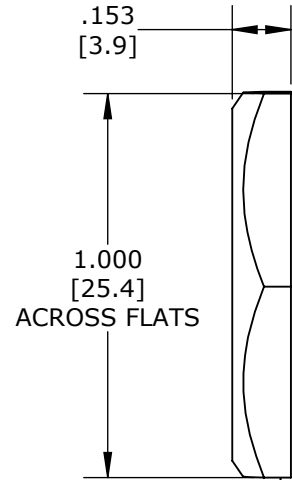
CONTACTS STYLE
 0' - CRIMP
 1' - SOLDER
 2' - PC TAIL

ES - EPOXY FILLED
 00 - NO EPOXY

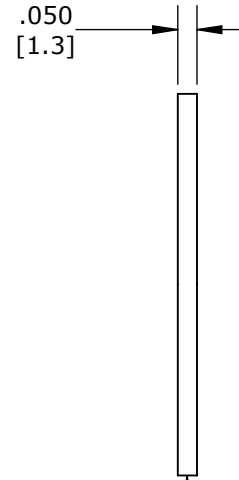
CONTACTS POSITIONS
 POSITION 2, 3 & 4 (AVAILABLE IN SIZE #12)
 POSITION 4, 5 & 6 (AVAILABLE IN SIZE #16)
 POSOTION 4,5,6,7,8,9,10,11&12 (AVAILABLE IN SIZE #20)



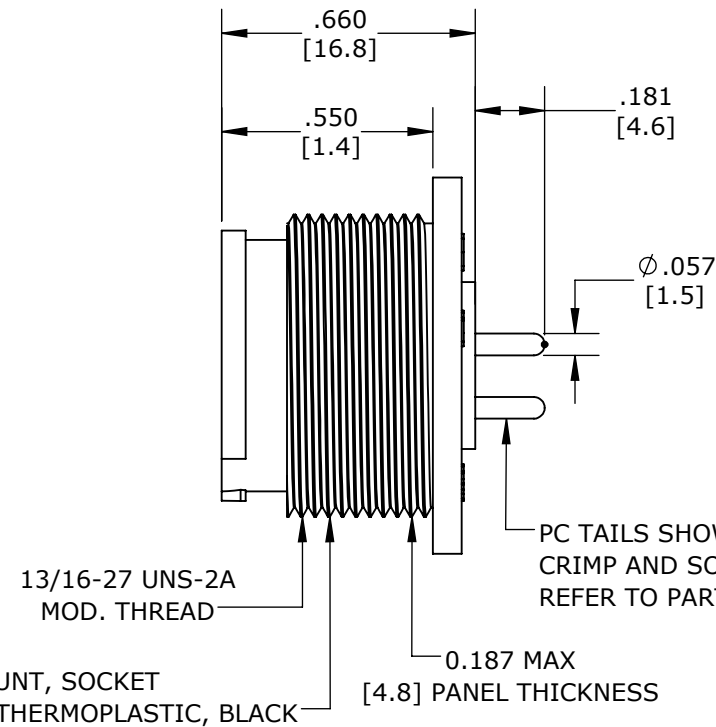
FACE VIEW
 W4181-3SG-P-300
 3 #12 CONTACT STYLE IS SHOWN



HEX NUT
 MATL: UV THERMOPLASTIC, BLACK

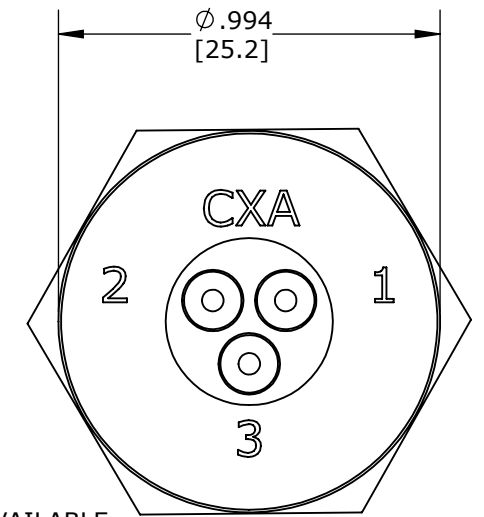


WASHER GASKET
 MATL: RUBBER, BLACK

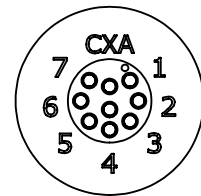


13/16-27 UNS-2A
 MOD. THREAD

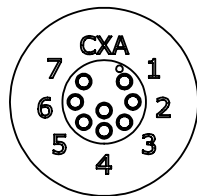
PANEL MOUNT, SOCKET
 MATL: UV THERMOPLASTIC, BLACK



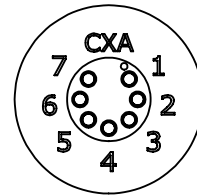
WIRE VIEW
 W4181-3SG-P-300
 3 #12 CONTACT STYLE IS SHOWN



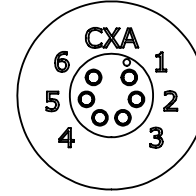
WIRE VIEW
 W4281-9SG-P-300



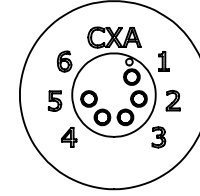
WIRE VIEW
 W4281-8SG-P-300



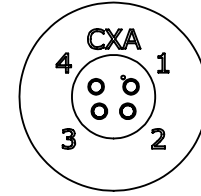
WIRE VIEW
 W4281-7SG-P-300



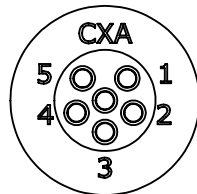
WIRE VIEW
 W4281-6SG-P-300



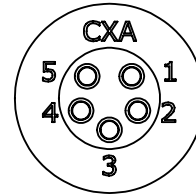
WIRE VIEW
 W4281-5SG-P-300



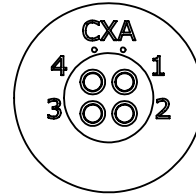
WIRE VIEW
 W4281-4SG-P-300



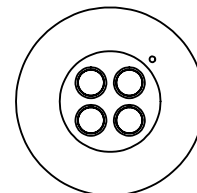
WIRE VIEW
 W4381-6SG-P-300



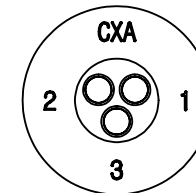
WIRE VIEW
 W4381-5SG-P-300



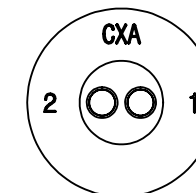
WIRE VIEW
 W4381-4SG-P-300



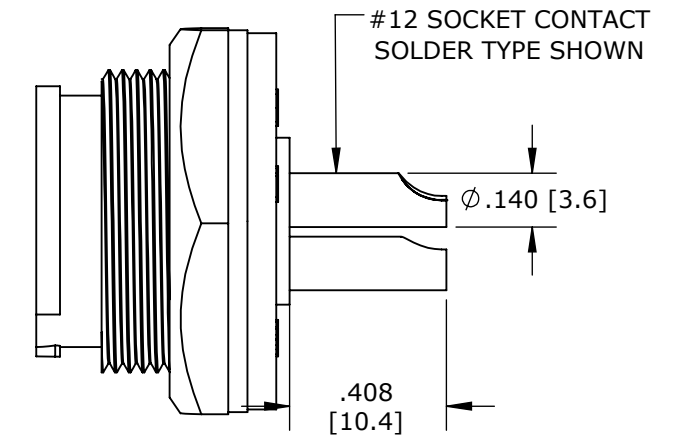
WIRE VIEW
 W4182-4SG-P-300



WIRE VIEW
 W4182-3SG-P-300



WIRE VIEW
 W4182-2SG-P-300



SIDE VIEW SHOWN
 W4182-3SG-P-300

CUSTOMER APPROVAL

THIS DOCUMENT CONTAINS CONFIDENTIAL INFORMATION PROPRIETARY TO CONXALL CORPORATION. ANY REPRODUCTION, DISCLOSURE, OR USE OF THIS DOCUMENT /INFORMATION IS EXPRESSLY PROHIBITED UNLESS AUTHORIZED IN WRITING BY CONXALL CORPORATION.

APPROVED BY: _____
 DATE: _____

(RoHS COMPLIANT)

0A	AM	03/03/22	CUSTOMER DRAWING
REV.	INIT.	DATE	DESCRIPTION
	AM	03/03/22	
ALL INFORMATION ILLUSTRATED IS THE PROPERTY OF CONXALL CORPORATION. UNAUTHORIZED DUPLICATION OR DISTRIBUTION OF THIS DOCUMENT IS PROHIBITED.			 601 E. WILDWOOD VILLA PARK, IL 60181
ALL UNITS ARE IN FEET, INCHES, FRACTION OF INCHES AND DECIMALS. UNLESS OTHERWISE SPECIFIED TOLERANCES: 3 PLACE DECIMALS ±.005 ANGLES ±1° FRACTIONS ±1/16 ▽ - CRITICAL CHARACTERISTIC FLAG PER SPEC. XXXX			
APPROVED BY:		TITLE: PANEL CONNECTOR ASSEMBLY (2-4) #12, (4-6) #16, (4-12) #20 SOCKET CONTACTS MULTI CONX INSTA-CLICK STANDARD PRODUCT	
SCALE	SIZE	SHEET	CUSTOMER:
NTS	B	1 OF 1	W4X8X-XSG-P-3XX
FILE:	DIRECTORY:	PART NUMBER:	REV
FILE NAME	SLW		0A

CUSTOMER PRINT

PART NUMBER: W4X8X-XSG-P-3XX