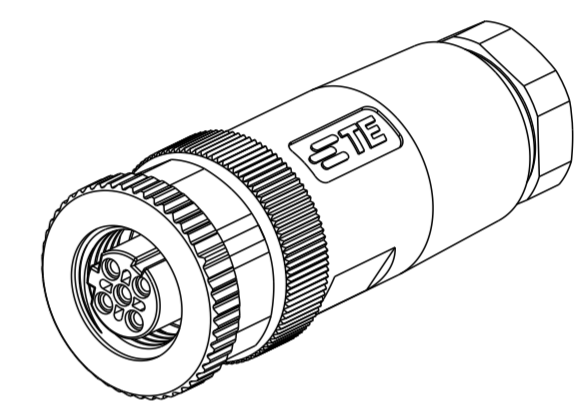
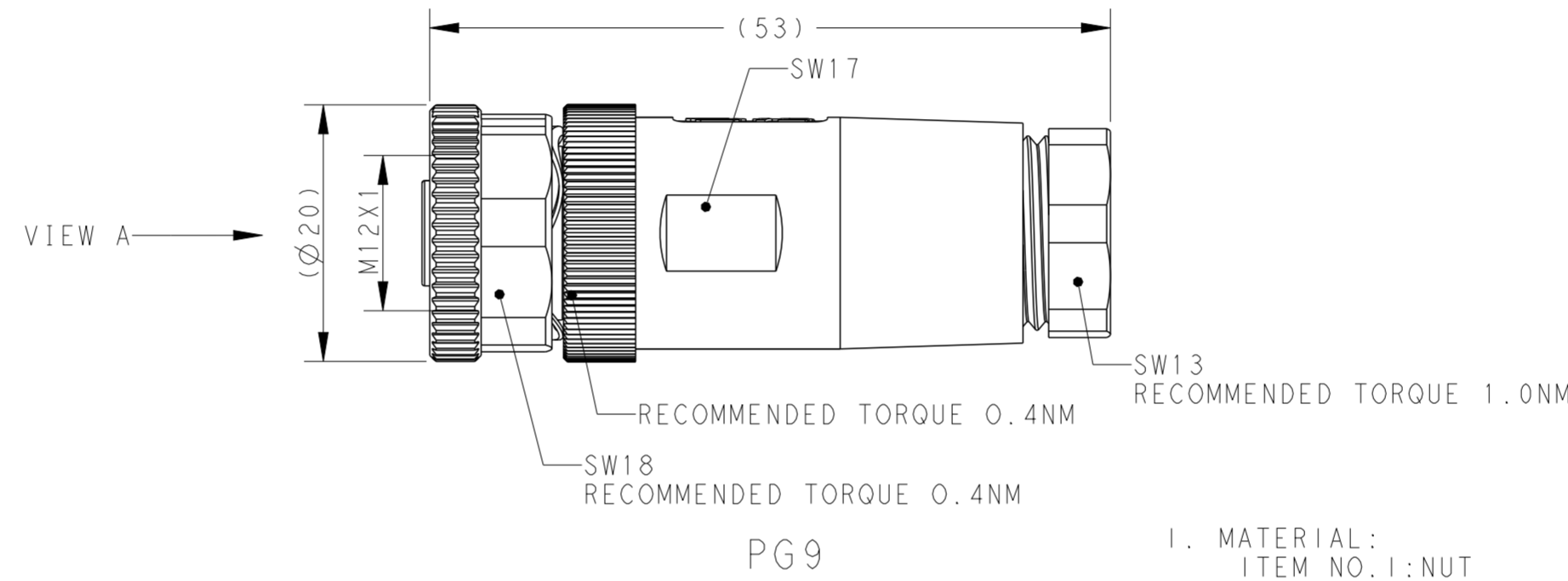
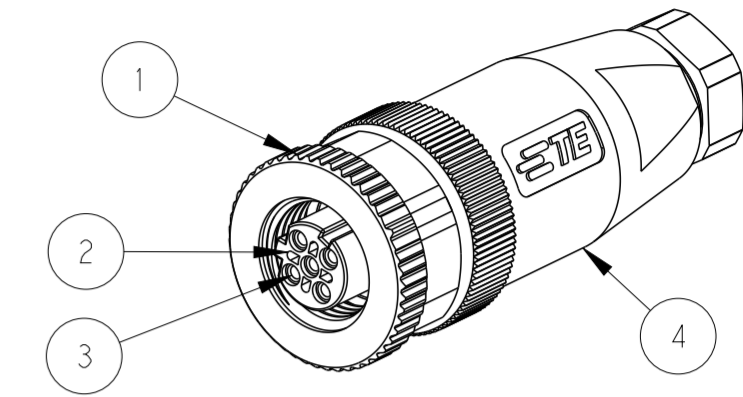
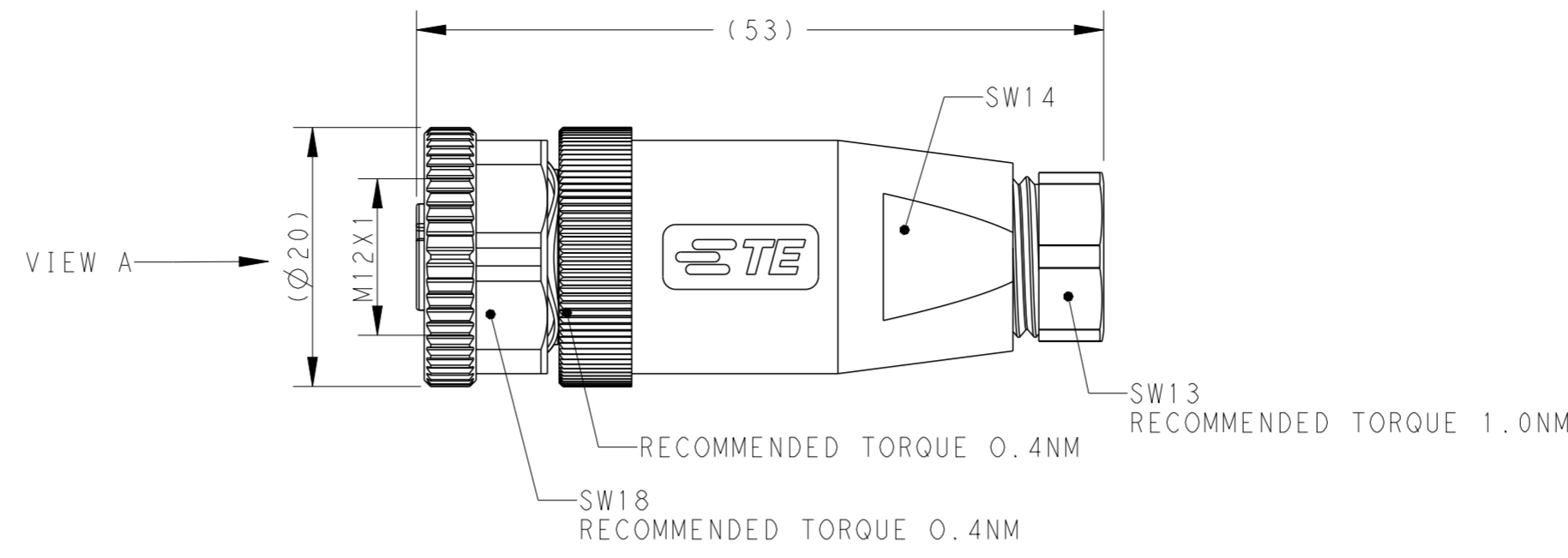
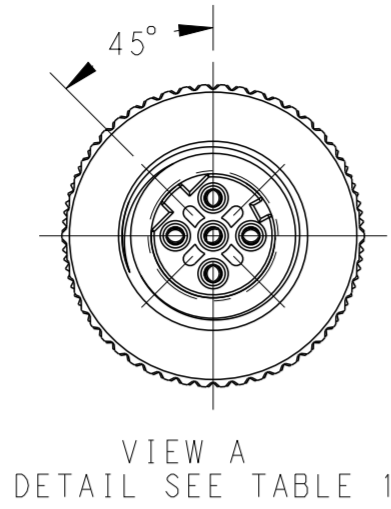


THIS DRAWING IS UNPUBLISHED. RELEASED FOR PUBLICATION 20  
 © COPYRIGHT 20 BY - ALL RIGHTS RESERVED.

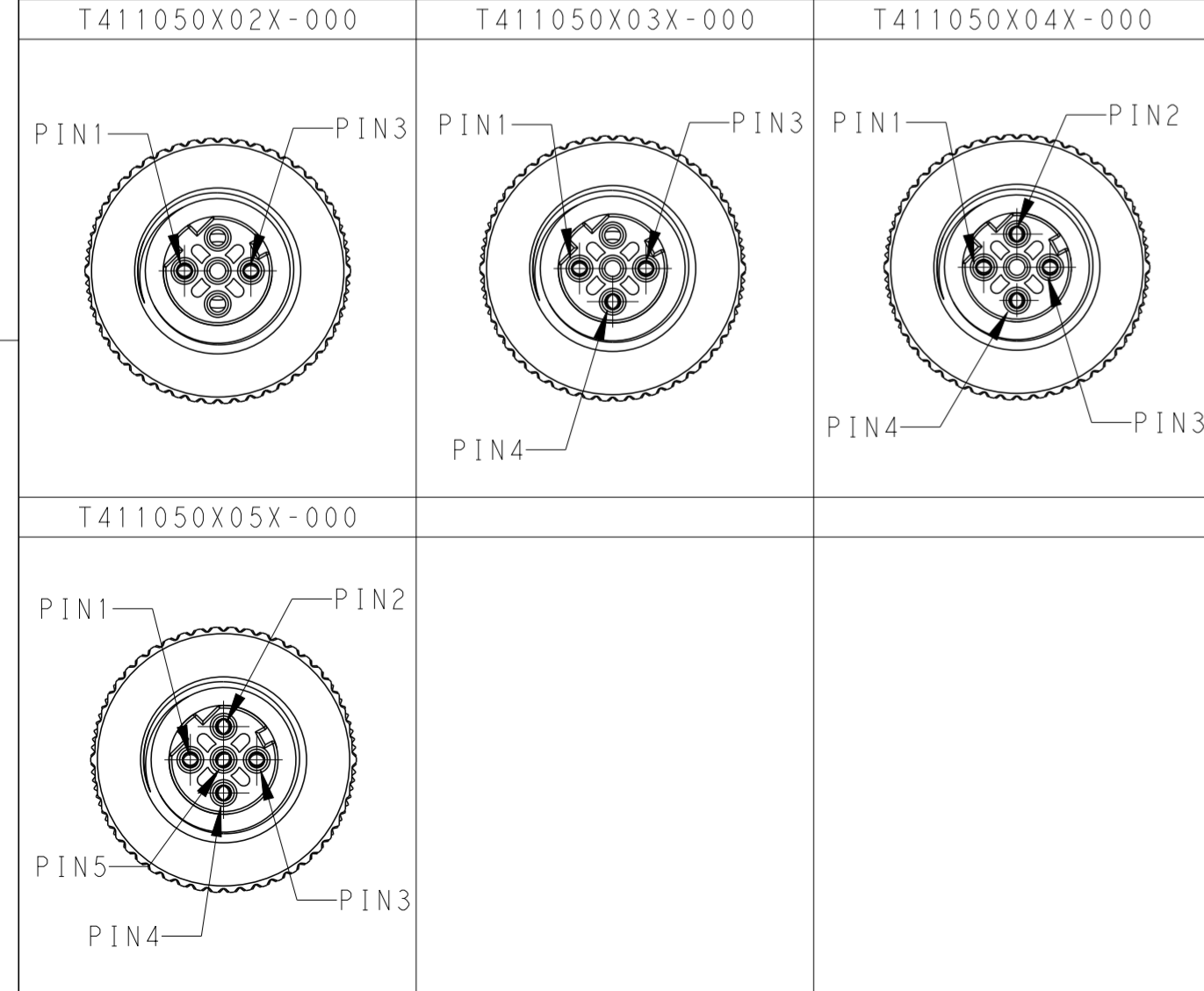
REVISIONS				
P	LTR	DESCRIPTION	DATE	APVD
A		INITIAL RELEASE	08JUL2015	NP XX
A1		ECR-15-018715 ADD 114 SPEC.	29DEC2015	NP XX
A2		ECR-20-012708 ADD PG9 MODEL	14SEP2020	S.C C.W
B		ECR-22-132011	22AUG2022	BP CW



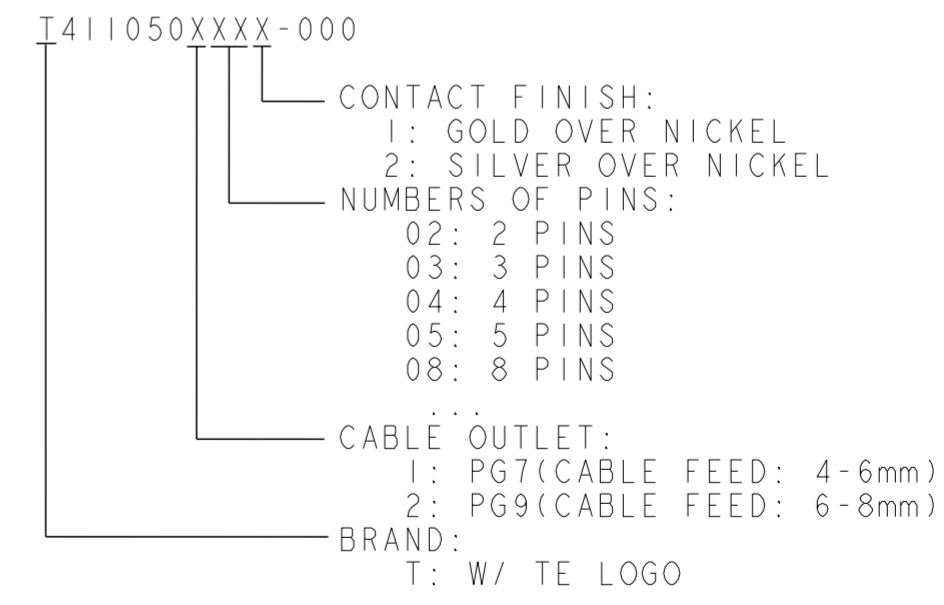
TECHNICAL DATA	T411050X02X-000	T411050X03X-000	T411050X04X-000	T411050X05X-000
RATED VOLTAGE	250V	250V	250V	60V
RATED CURRENT	4A	4A	4A	4A
POLLUTION DEGREE	3	3	3	3
OVERVOLTAGE CATEGORY	II	II	II	II
MATERIAL GROUP	II	II	II	II
CONTACT RESISTANCE	≤10mΩ	≤10mΩ	≤10mΩ	≤10mΩ
INSULATION RESISTANCE	>100MΩ	>100MΩ	>100MΩ	>100MΩ
DEGREE OF PROTECTION	IP67	IP67	IP67	IP67
OPERATION TEMPERATURE	-40~85°C	-40~85°C	-40~85°C	-40~85°C

- MATERIAL:
  - ITEM NO.1: NUT - ZINC DIE-CAST, NICKEL PLATED
  - ITEM NO.2: HOUSING - PA
  - ITEM NO.3: CONTACT - BRONZE
  - ITEM NO.4: HOUSING BODY: -PBT+GF
- CONTACT FINISH:
  - GOLD OVER NICKEL OR SILVER OVER NICKEL
- CABLE WIRES:
  - 24AWG/0.25mm<sup>2</sup>...18AWG/0.75mm<sup>2</sup> (WITHOUT FERRULE)
  - 26AWG/0.14mm<sup>2</sup>...20AWG/0.50mm<sup>2</sup> (WITH FERRULE)
- ALL DIMENSIONS ARE FOR NOMINAL REFERENCE ONLY UNLESS OTHERWISE STATED
- PACKAGEING: 1PIECE IN A BAG
- PN INFORMATION

TABLE 1 PIN ARRANGEMENT D-CODE



T4110502051-000	RPC-M12D-FS-5CON-PG9-MU
T4110501051-000	RPC-M12D-FS-5CON-PG7-MU
T4110502052-000	RPC-M12D-FS-5CON-PG9-M
T4110501052-000	RPC-M12D-FS-5CON-PG7-M
T4110502041-000	RPC-M12D-FS-4CON-PG9-MU
T4110501041-000	RPC-M12D-FS-4CON-PG7-MU
T4110502042-000	RPC-M12D-FS-4CON-PG9-M
T4110501042-000	RPC-M12D-FS-4CON-PG7-M
T4110502031-000	RPC-M12D-FS-3CON-PG9-MU
T4110501031-000	RPC-M12D-FS-3CON-PG7-MU
T4110502032-000	RPC-M12D-FS-3CON-PG9-M
T4110501032-000	RPC-M12D-FS-3CON-PG7-M
T4110502021-000	RPC-M12D-FS-2CON-PG9-MU
T4110501021-000	RPC-M12D-FS-2CON-PG7-MU
T4110502022-000	RPC-M12D-FS-2CON-PG9-M
T4110501022-000	RPC-M12D-FS-2CON-PG7-M
TE PN	TYPE



THIS DRAWING IS A CONTROLLED DOCUMENT.		DWN HAO WANG 08JAN2015	TE Connectivity
DIMENSIONS: mm		CHK KOBBY ZHAO 08JAN2015	
TOLERANCES UNLESS OTHERWISE SPECIFIED:		APVD XIANG XU 08JAN2015	NAME M12 FEMALE, D CODE, STRAIGHT UNSHIELDED CONNECTOR SCREW TERMINAL
0 PLC ±0.2 1 PLC ±0.2 2 PLC ±0.2 3 PLC ± 4 PLC ± ANGLES ± FINISH -		PRODUCT SPEC 108-106140 APPLICATION SPEC 114-137144 WEIGHT -	
MATERIAL -		CUSTOMER DRAWING	SIZE A2 CAGE CODE - DRAWING NO. C-T411050XXXX000 RESTRICTED TO B
		SCALE 1:1	SHEET 1 OF 1