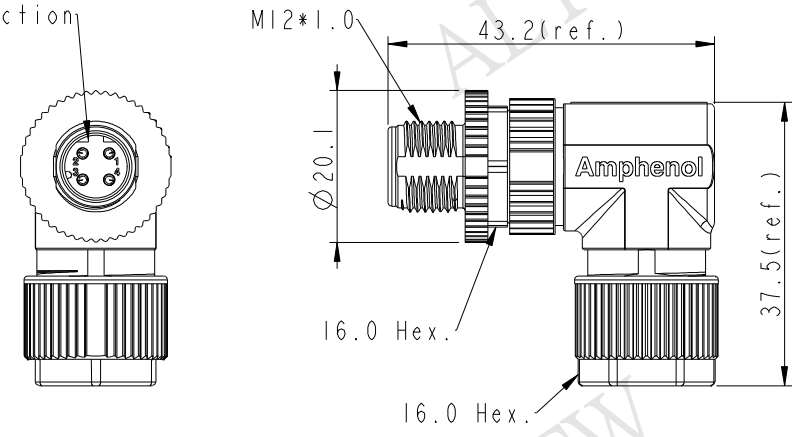
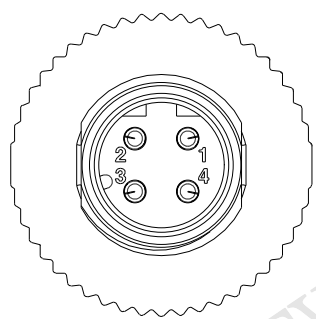
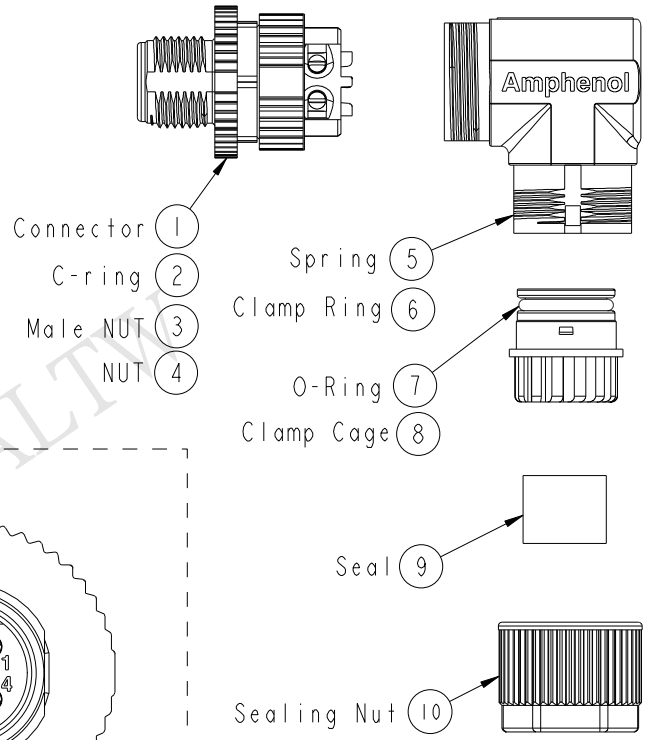


ALTW
CONFIDENTIAL
 2015-10-14
 R&D DEPT.

REV.	ECN NO.	DATE	SIGN	DESCRIPTION
A	Initial Release	2015/10/14	Mila	Change Rev. I To Rev.A

360° Adjustable Key Code Direction



ALTW
 DCC. DEPT.
 CONFIDENTIAL
 2015.10.28
 ISSUED

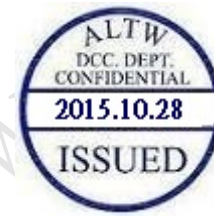
UNIT:mm
 TOLERANCE
 ±0.5mm

TITLE M12 D-Code 90° Shielded Assy 4Pin M Conn. M Pin			
SCALE 1:1	SIZE A4	SHEET 1 OF 2	
REV. A	WC-REV. A.1	QC: Inspection item	

Amphenol LTW
 安費諾亮泰企業股份有限公司

ITEM NO MSDS-04BMMB-SR7001	DRAWN BY Mila	DATE 2015-10-14
DWG NO MSDS-04BMMB-SR7001	CHECKED BY Cary	DATE 2015-10-14
CUSTOMER ALTW	APPROVED BY Jerry	DATE 2015-10-14

THIS DOCUMENT IS SUBJECT TO CHANGE WITHOUT NOTICE. IT IS CONFIDENTIAL AND A PROPERTY OF Amphenol LTW. DISCLOSURE TO THIRD PARTY HAS TO BE AUTHORIZED BY Amphenol LTW.



M SDS - 04 B M M B - S R 7 001

SDS: D-Code Shielded
 04: 4Pin
 B: Without S/R(無網尾)
 M: Male Connector(公座)
 M: Male Pin(公Pin)
 001: Without Cable
 7: IP67(防水等級67)
 R: Right(90°)
 S: Screw(螺紋式)
 B: Screw in Type(組裝式)

Note:

- * QC Important Dimension To Check.
- * Waterproof Rate: IP67(Mated)
- * Housing: Nylon, Black
- * Clamp Cage: Nylon, Black
- * Male Pin: Copper Alloy, Gold Plated
- * Male Nut: Zinc Alloy, Nickel Plated
- * Nut: Zinc Alloy, Nickel Plated
- * O-Ring: Silicon, Gray
- * Clamp Ring: Zinc Alloy, Nickel Plated
- * Sealing Nut: Zinc Alloy, Nickel Plated
- * Seal: Silicon, Gray
- * Seal For Cable OD: $\varnothing 4.0\text{mm} \sim \varnothing 7.0\text{mm}$
- * Screws for Wire connection recommended tightening torque: 0.61~0.84 kgf.cm / 0.059~0.082 N.m
- * Applicable Wire gauge (Stranded wire cross section) 0.14mm² (26AWG) ~ 0.82mm² (18AWG)
- * Mating Recommended tightening torque: 3~4 kgf.cm / 0.29~0.39 N.m
- * Sealing-Nut Recommended tightening torque: 4~6 kgf.cm / 0.39~0.59 N.m
- * Detailed applicable wire specifications may vary depending on the actual wire construction.

UNIT:mm		TITLE	
		M12 D-Code 90° Shielded Assy 4Pin M Conn. M Pin	
		SCALE	SIZE
TOLERANCE	$\pm 0.5\text{mm}$	1:1	A4
		REV.	WC-REV.
		A	A.1

Amphenol LTW
安費諾亮泰企業股份有限公司

ITEM NO	MSDS-04BMMB-SR7001	DRAWN BY	Mila	DATE	2015-10-14
DWG NO	MSDS-04BMMB-SR7001	CHECKED BY	Cary	DATE	2015-10-14
CUSTOMER	ALTW	APPROVED BY	Jerry	DATE	2015-10-14