

LISA2-W-CLIP

~35° wide beam optimized for CREE XP-E. 6.8 mm high variant with clip installation.

SPECIFICATION:

| | |
|----------------|-------------|
| Dimensions | Ø 9.9 mm |
| Height | 6.8 mm |
| Fastening | glue, clips |
| ROHS compliant | yes ⓘ |

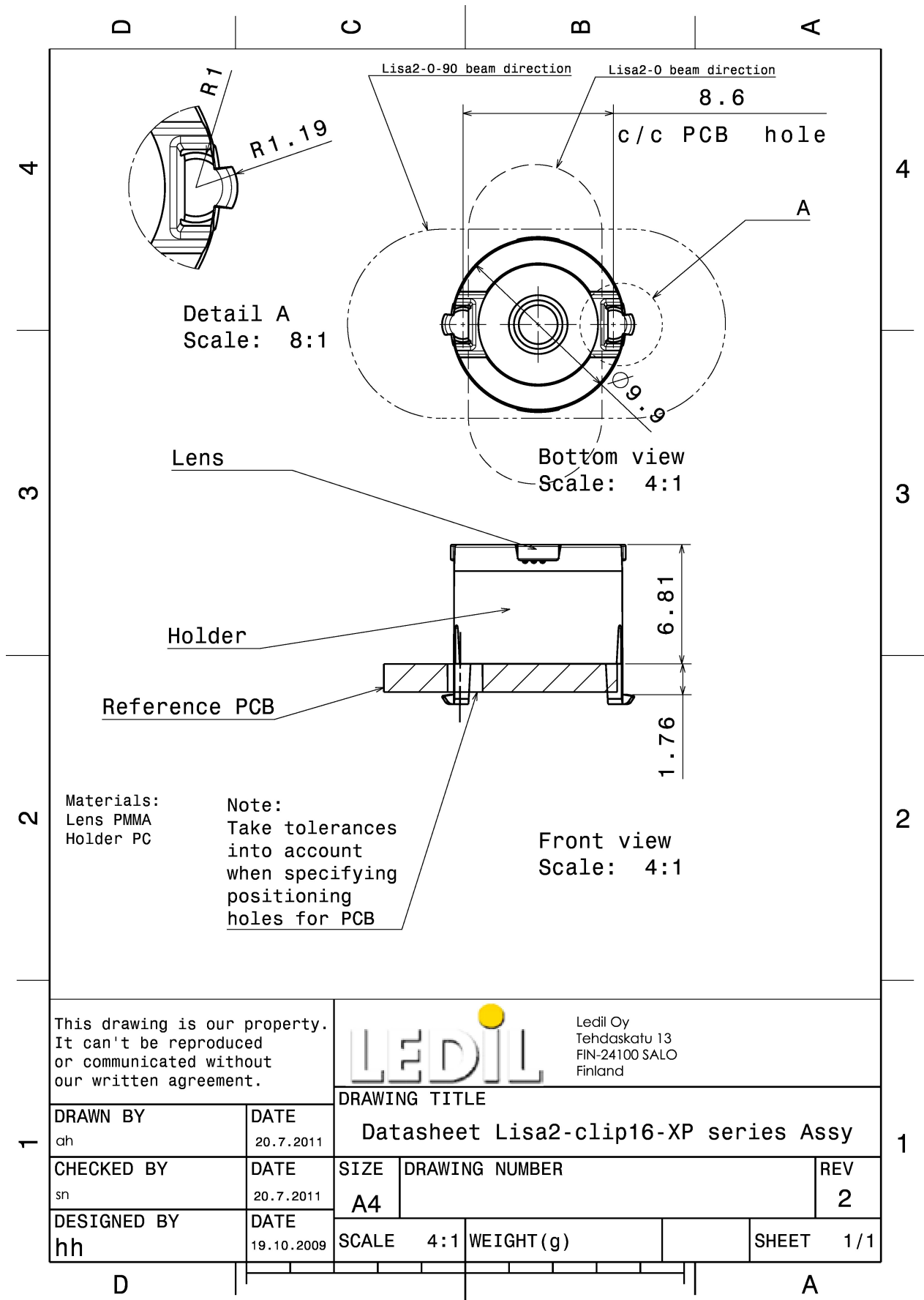


MATERIALS:

| Component | Type | Material | Colour | Finish |
|---------------------|-------------|----------|--------|--------|
| LISA2-W | Single lens | PMMA | clear | |
| LISA2-HLD-CLIP16-XP | Holder | PC | black | |

ORDERING INFORMATION:

| Component | | Qty in box | MOQ | MPQ | Box weight (kg) |
|----------------------|-------------|------------|-----|-----|-----------------|
| FP11076_LISA2-W-CLIP | Single lens | 2000 | 300 | 100 | 1.4 |
| » Box size: | | | | | |



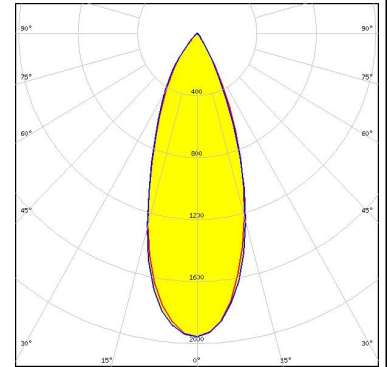
| | | | | | |
|---|--|--------------------|--|--|----------------|
| This drawing is our property. It can't be reproduced or communicated without our written agreement. | | | | Ledil Oy Tehdaskatu 13 FIN-24100 SALO Finland | |
| DRAWN BY ch | | DATE 20.7.2011 | | DRAWING TITLE Datasheet Lisa2-clip16-XP series Assy | |
| CHECKED BY sn | | DATE 20.7.2011 | | SIZE A4 | DRAWING NUMBER |
| DESIGNED BY hh | | DATE 19.10.2009 | | SCALE 4:1 | WEIGHT (g) |
| | | | | SHEET | 1/1 |

See also our general installation guide: www.ledil.com/installation_guide

OPTICAL RESULTS (MEASURED):

CREE LED

LED XP-E
FWHM / FWTM 37.0°
Efficiency 90 %
Peak intensity 2 cd/lm
LEDs/each optic 1
Light colour White
Required components:



CREE LED

LED XP-G
FWHM / FWTM 48.0°
Efficiency 93 %
LEDs/each optic 1
Light colour White
Required components:


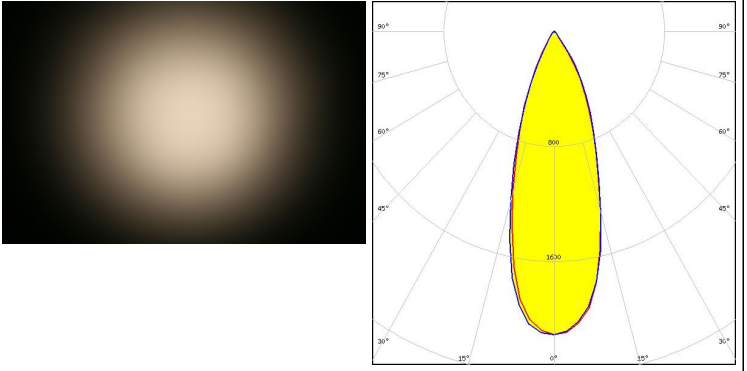
LUMILEDS

LED LUXEON A
FWHM / FWTM 48.0°
Efficiency 93 %
LEDs/each optic 1
Light colour White
Required components:

LUMILEDS

LED LUXEON Rebel ES
FWHM / FWTM 46.0°
Efficiency 93 %
LEDs/each optic 1
Light colour White
Required components:

OPTICAL RESULTS (MEASURED):

| | |
|--|---|
| <p>LUMILEDS</p> <p>LED LUXEON Z</p> <p>FWHM / FWTM 27.0° / 60.0°</p> <p>Efficiency 87 %</p> <p>Peak intensity 2.9 cd/lm</p> <p>LEDs/each optic 1</p> <p>Light colour White</p> <p>Required components:</p> |  |
| <p>LUMILEDS</p> <p>LED LUXEON Z ES</p> <p>FWHM / FWTM 35.0° / 64.0°</p> <p>Efficiency 87 %</p> <p>Peak intensity 2.1 cd/lm</p> <p>LEDs/each optic 1</p> <p>Light colour White</p> <p>Required components:</p> |  |
| <p>OSRAM Opto Semiconductors</p> <p>LED SFH 4170S</p> <p>FWHM / FWTM 26.0° / 61.0°</p> <p>Efficiency %</p> <p>LEDs/each optic 1</p> <p>Light colour IR</p> <p>Required components:</p> | |
| <p>OSRAM Opto Semiconductors</p> <p>LED SFH 4180S</p> <p>FWHM / FWTM 26.0° / 61.0°</p> <p>Efficiency %</p> <p>LEDs/each optic 1</p> <p>Light colour IR</p> <p>Required components:</p> | |

OPTICAL RESULTS (MEASURED):

SHARP

| | |
|-----------------|---------------------|
| LED | Double Dome (GM2BB) |
| FWHM / FWTM | 44.0° |
| Efficiency | % |
| LEDs/each optic | 1 |
| Light colour | White |

Required components:

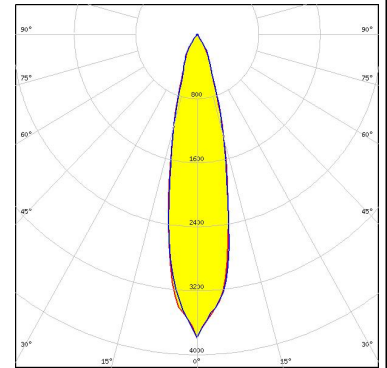
OPTICAL RESULTS (SIMULATED):



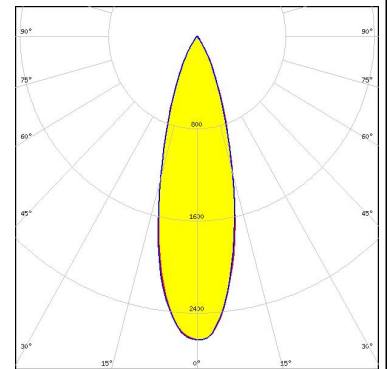
LED XQ-E HD
FWHM / FWTM 49.0° / 80.0°
Efficiency 90 %
Peak intensity 1.3 cd/lm
LEDs/each optic 1
Light colour White
Required components:



LED XQ-E HI
FWHM / FWTM 23.0° / 52.0°
Efficiency 89 %
Peak intensity 3.6 cd/lm
LEDs/each optic 1
Light colour White
Required components:



LED NCSxE17A
FWHM / FWTM 30.0° / 57.0°
Efficiency 84 %
Peak intensity 2.6 cd/lm
LEDs/each optic 1
Light colour White
Required components:



GENERAL INFORMATION:

NOTE: The typical beam angle will be changed by different color, chip size and chip position tolerance. The typical total beam angle is the full angle measured where the luminous intensity is half of the peak value.

MATERIALS:

As part of our continuous research and improvement processes, and to ensure the best possible quality and availability of our products, LEDiL reserves the right to change material grades without notice.

PRODUCT DATA USER AGREEMENT AND DISCLAIMER:

The measured data in the provided downloadable LEDiL Product Datasheets and Mechanical 2D-Drawings is rounded and provided as reference for planning. LEDiL Oy's optical specifications have been verified by conducting performance testing of the products in accordance with the company's quality system. The reported data are averaged results of multiple measurements with typical variation. LEDiL Oy reserves the right to without prior notification make changes and improvements to its products.

LEDiL Oy assumes neither warranty, nor guarantee nor any other liability of any kind for the contents and correctness of the provided data. The provided data has been generated with highest diligence but the provided data may in reality not represent the complete possible variation range of all intrinsic parameters. Therefore, in certain cases a deviation from the provided data could occur.

LEDiL Oy reserves the right to undertake technical changes of its products without further notification which could lead to changes in the provided data. LEDiL Oy assumes no liability of any kind for the possible deviation from any provided data or any other damage resulting from the usage of the provided data.

The user agrees to this disclaimer and user agreement with the download or usage of the provided files.

LEDiL Oy

Joensuunkatu 13
FI-24240 SALO
Finland

LEDiL Inc.

228 West Page Street
Suite D
Sycamore IL 60178
USA

Ledil Optics Technology (Shenzhen) Co., Ltd.

405 , Block B
Casic Motor Building
Shenzhen 518057
P.R.CHINA

Local sales and technical support

[www.ledil.com/
where_to_buy](http://www.ledil.com/where_to_buy)

Shipping locations

Salo, Finland
Hong Kong, China

Distribution Partners

[www.ledil.com/
where_to_buy](http://www.ledil.com/where_to_buy)