

THIS DRAWING IS UNPUBLISHED.

RELEASED FOR PUBLICATION

© COPYRIGHT 20

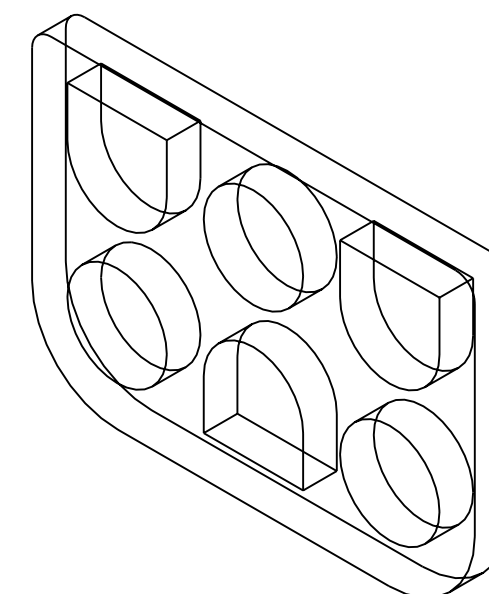
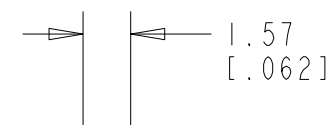
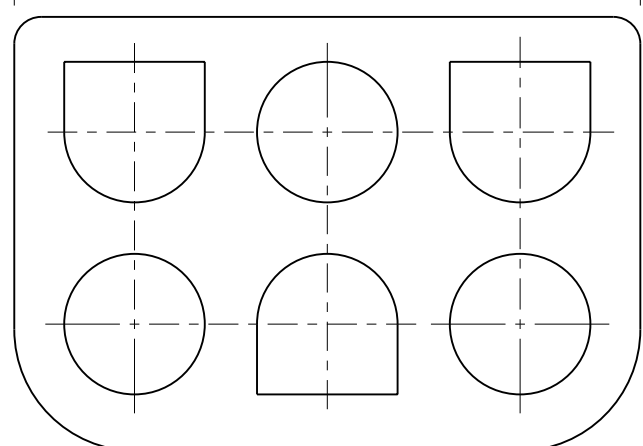
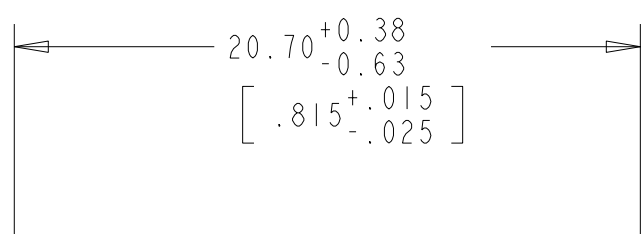
BY TYCO ELECTRONICS CORPORATION. ALL RIGHTS RESERVED.

LOC CM DIST 45

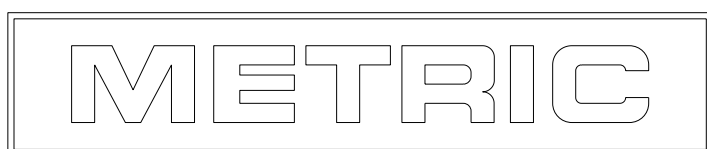
REVISIONS

P	LTR	DESCRIPTION	DATE	DWN	APVD
	E	REVISED PER ECO-05-001965	04MAY05	KW	SR

- 1 MATERIAL: CLOSED CELL SILICON FOAM, BLACK
- 2. SUPPLIED ON MYLAR TAPE.



794993-1
PART NUMBER



<small>THIS DRAWING IS A CONTROLLED DOCUMENT FOR TYCO ELECTRONICS CORPORATION IT IS SUBJECT TO CHANGE AND THE CONTROLLING ENGINEERING ORGANIZATION SHOULD BE CONTACTED FOR THE LATEST REVISION.</small>		DWN 07-DEC-2001 K. WHITAKER CHK 07-DEC-2001 S. RIDGILL APVD 07-DEC-2001 S. RIDGILL	tyco Electronics Tyco Electronics Harrisburg, PA 17105-3608
DIMENSIONS: mm [INCHES]	TOLERANCES UNLESS OTHERWISE SPECIFIED: 0 PLC ±- 1 PLC ±- 2 PLC ±0.51 [.020] 3 PLC ±- 4 PLC ±- ANGLES ±-	NAME INTERFACE SEAL, 6 CIRCUIT, UNIVERSAL MATE-N-LOK™	SIZE A3 CAGE CODE 00779 DRAWING NO. 794993 RESTRICTED TO -
MATERIAL 	FINISH -	PRODUCT SPEC - APPLICATION SPEC - WEIGHT -	CUSTOMER DRAWING SCALE 4:1 SHEET 1 OF 1 REV E