

SECTION Y-Y
(SCALE 20-1)

SECTION Z-Z
(SCALE 20-1)

NOTES

- 適合ハウジング：502578-****, 503149-****
APPLICABLE HOUSING：502578-****, 503149-****
- 図示の斜線部の範囲は、接点部のため、傷、打痕、汚れなどを付けないようにして下さい。
PLEASE DON'T DAMAGE, DON'T DENT, AND DON'T MAKE IT DIRTY. BECAUSE THE RANGE IN THE SHADED PORTION SHOWN IN FIGURE IS THE CONTACT AREA.
- トレードマーク：MX プラス1文字の製造工場を示すアルファベットにて表示。但し「J」は JAPAN を示す。(例 MXJ)
FORMED BY MX AND 1 MORE LETTER OF ALPHABET WHICH MEAN THE MANUFACTORY. BUT "J" MEANS JAPAN. (TO TRADE MARK) (e.g. MXJ)
- ELV 及び RoHS 適合品
ELV AND RoHS COMPLIANT

φ0.7-1.02mm	AWG#26-30	503429-0000	連鎖状 CHAIN
絶縁被覆外径範囲 INS. RANGE	適用電線範囲 WIRE RANGE	製品番号 MATERIAL NO.	端子形状 FORM

SCALE 10:1	DESIGN UNITS METRIC	THIRD ANGLE PROJECTION
------------	---------------------	------------------------

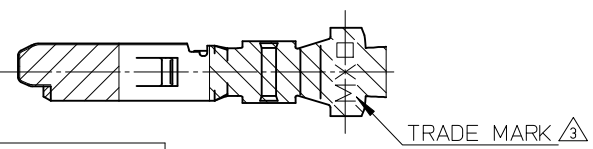
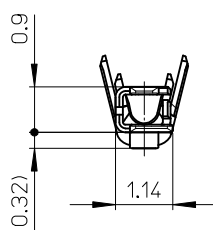
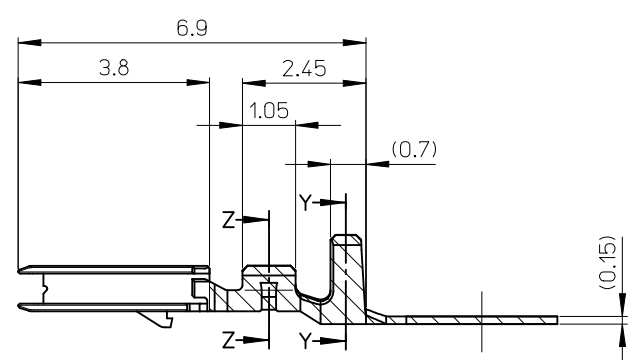
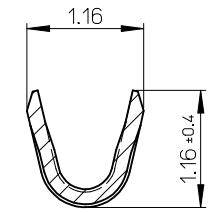
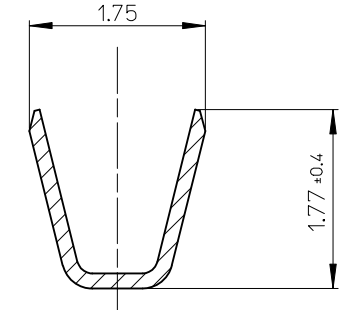
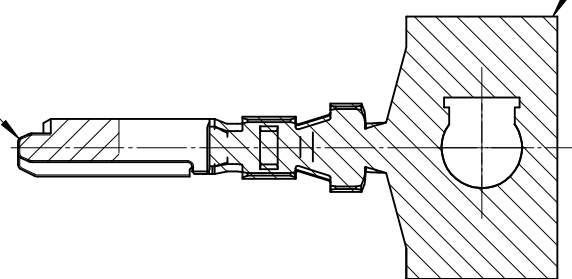
部品 PART	材質 MATERIAL
ターミナル TERMINAL	銅合金 COPPER ALLOY
	錫めっき：0.4 micro-meter MIN. リフロー処理(前めっき) REFLOW TREATMENT (PRE-PLATED)
	ニッケルめっき(下地)：0.1 micro-meter MIN. リフロー処理(前めっき) REFLOW TREATMENT (PRE-PLATED)

REVISED EC NO: J2009-2054 DRWN: YGOTO 2009/03/09 CHKD: KASAKAWA 2009/03/10 APPR: SICHIKAWA 2009/03/10	GENERAL TOLERANCES (UNLESS SPECIFIED)	
	10 UNDER	±0.2
	10 OVER 30 UNDER	±0.25
	30 OVER	±0.3
	ANGULAR ±3 °	
	DRAFT WHERE APPLICABLE MUST REMAIN WITHIN DIMENSIONS	

DIMENSION STYLE MM ONLY		TITLE	
DRAWN BY YGOTO	DATE 2009/2/20	1.5W/B CONN PLUG TERMINAL	
CHECKED BY KASAKAWA	DATE 2009/2/20		
APPROVED BY SICHIKAWA	DATE 2009/2/20		
MATERIAL NO.			
ENTER PART		SD-503429-001	
THIS DRAWING CONTAINS INFORMATION THAT IS PROPRIETARY TO MOLEX INCORPORATED AND SHOULD NOT BE USED WITHOUT WRITTEN PERMISSION			

△ Au PLATING AREA

Sn PLATING AREA



NOTES

- 適合ハウジング: 502578****, 503149****
APPLICABLE HOUSING: 502578****, 503149****
- 図示の斜線部の範囲は、接点部のため、傷、打痕、汚れなどを付けないようにして下さい。
PLEASE DON'T DAMAGE, DON'T DENT, AND DON'T MAKE IT DIRTY. BECAUSE THE RANGE IN THE SHADED PORTION SHOWN IN FIGURE IS THE CONTACT AREA.
- トレードマーク: MX プラス1文字の製造工場を示すアルファベットにて表示。但し「J」は JAPAN を示す。(例 MXJ)
FORMED BY MX AND 1 MORE LETTER OF ALPHABET WHICH MEAN THE MANUFACTORY. BUT "J" MEANS JAPAN. (TO TRADE MARK) (e.g. MXJ)
- ELV 及び RoHS 適合品
ELV AND RoHS COMPLIANT

部品 PART	材質 MATERIAL 5034291***
銅合金 COPPER ALLOY	
コンタクト部 CONTACT POS.	金めっき: 0.2 micro-meter MIN. GOLD リフロー処理 (前めっき) REFLOW TREATMENT (PRE-PLATED)
バレル部 BARREL POS.	錫めっき: 1.0 micro-meter MIN. TIN リフロー処理 (前めっき) REFLOW TREATMENT (PRE-PLATED)
	ニッケルめっき(下地): 0.1 micro-meter MIN. NICKEL (UNDER PLATING) リフロー処理 (前めっき) REFLOW TREATMENT (PRE-PLATED)

RELEASED EC NO: J2015-0528 DRWN: TAKAIKE 2014/10/24 CHKD: KASAKAWA 2015/02/16 APPR: NUKITA 2015/02/16	GENERAL TOLERANCES (UNLESS SPECIFIED)		DIMENSION STYLE	
	0.25 UNDER	UNDER	± 0.03	MM ONLY
	0.25 OVER	0.5 UNDER	± 0.05	
	0.5 OVER	1.0 UNDER	± 0.1	
	1.0 OVER	30 UNDER	± 0.2	
	30 OVER	± 0.25		
	ANGULAR	± 3 °		
	DRAFT WHERE APPLICABLE MUST REMAIN WITHIN DIMENSIONS			

φ0.7-1.02mm	AWG#26-30	5034291100	バラ状 LOOSE
		5034291000	連鎖状 CHAIN
絶縁被覆外径範囲 INS. RANGE	適用電線範囲 WIRE RANGE	製品番号 MATERIAL NO.	端子形状 FORM
SCALE 10:1		DESIGN UNITS METRIC	THIRD ANGLE PROJECTION
1.5W/B CONN PLUG TERMINAL			
molex		DOCUMENT NO. SD-503429-002	SHEET NO. 1 OF 1
SEE TABLE			
THIS DRAWING CONTAINS INFORMATION THAT IS PROPRIETARY TO MOLEX INCORPORATED AND SHOULD NOT BE USED WITHOUT WRITTEN PERMISSION			