

THIS DRAWING IS UNPUBLISHED.

RELEASED FOR PUBLICATION 20

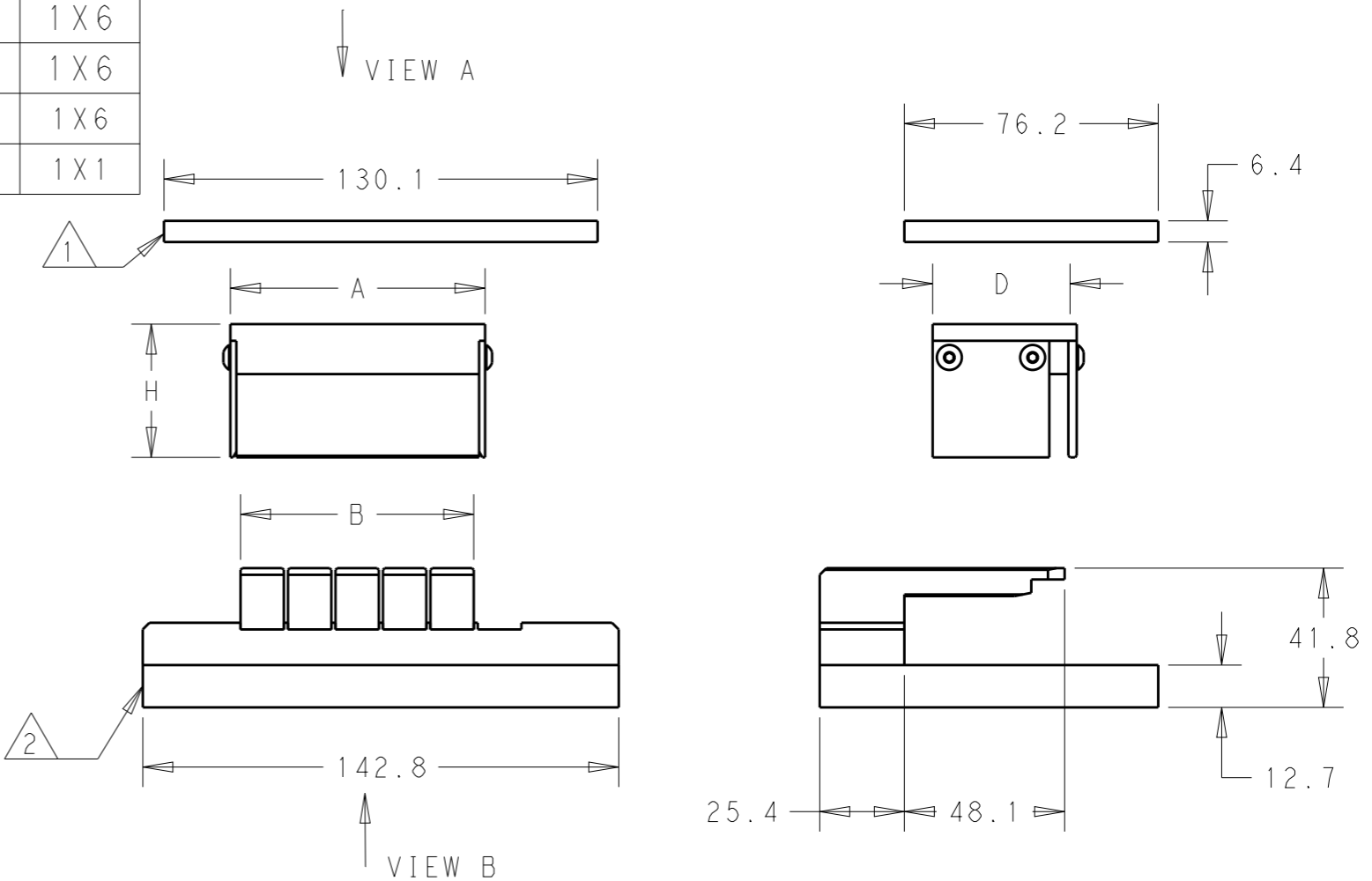
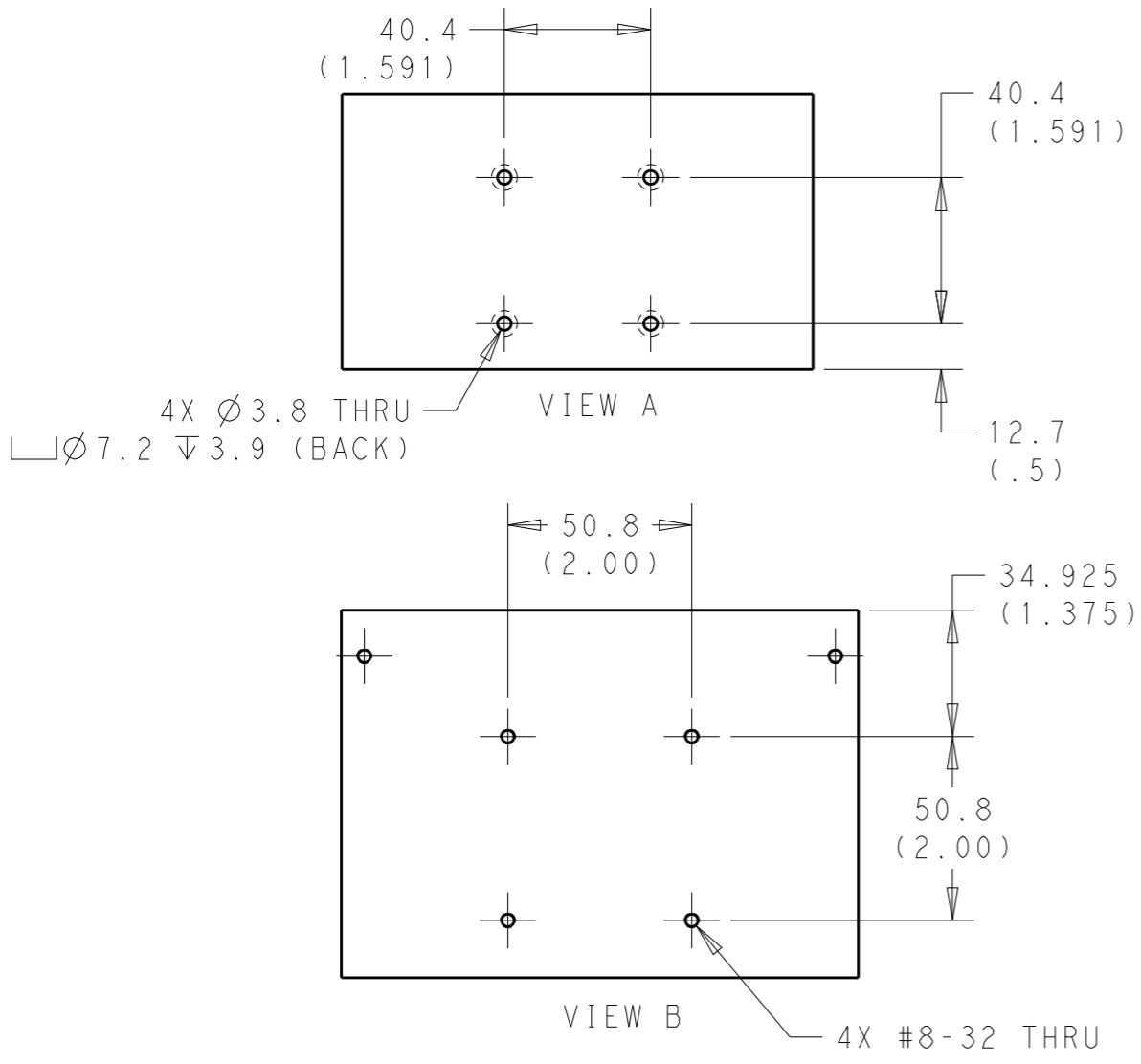
© COPYRIGHT 20 BY - ALL RIGHTS RESERVED.


REVISIONS

P	LTR	DESCRIPTION	DATE	DWN	APVD
	1	INITIAL RELEASE	05AUG2015	CZ	VL
	A1	ECR-19-013802 ADD -7, -8, -9	02SEP2019	DC	VA
	A2	ECR-20-008465 ADD -10, -11 AND -12	27MAY2020	DC	JM
	A3	ECR-20-017226 ADD -13	19NOV2020	DC	JM

PART NUMBER	REV	FIRST USED	A	B	D	H	SIZE
2215058-1	A	-	19.45	13	41.2	40	1X1
2215058-2	A	-	33.7	27.25	41.2	40	1X2
2215058-3	A	-	47.95	41.5	41.2	40	1X3
2215058-4	A	-	62.2	55.75	41.2	40	1X4
2215058-5	A	2284170-1	76.45	70	41.2	40	1X5
2215058-6	A	-	90.7	84.25	41.2	40	1X6
2215058-7	A	-	19.45	13	60.2	40	1X1
2215058-8	A	-	62.2	55.75	60.2	40	1X4
2215058-9	A	-	62.2	55.75	66.2	40	1X4
1-2215058-0	A	2362145-2, 2365464-1, -2	90.7	84.25	60.2	40	1X6
1-2215058-1	A	2365464-3	90.7	84.25	60.2	43	1X6
1-2215058-2	A	2347717-1, -2, -3, 2364706-1	90.7	84.25	63	40	1X6
1-2215058-3	A	2366031-1	19.45	13	65	40	1X1

NOTE:  
 1 TOP PUSH PLATE, SEE VIEW A FOR THE MOUNTING HOLE SPEC.  
 2 BASE PLATE, SEE VIEW B FOR THE MOUNTING HOLE SPEC.  
 3 TOP PUSH PLATE AND BASE PLATE ARE DESIGNED TO USE ON ARBOR FRAME ASSEMBLY 58024-1.



THIS DRAWING IS A CONTROLLED DOCUMENT.		DWN C.Z 05AUG2015	 TE Connectivity	
DIMENSIONS: mm		CHK V.L 05AUG2015		
TOLERANCES UNLESS OTHERWISE SPECIFIED:		APVD V.L 05AUG2015		
0 PLC ±. 1 PLC ±. 2 PLC ±. 3 PLC ±. 4 PLC ±. ANGLES ±. FINISH -		PRODUCT SPEC SEE TABLE APPLICATION SPEC - WEIGHT -		
MATERIAL -		NAME ASSY EXTRACTION TOOL		RESTRICTED TO
		SIZE A3	CAGE CODE 00779	DRAWING NO. C-2215058
		CUSTOMER DRAWING		SCALE 1:2 SHEET 1 OF 1 REV A3