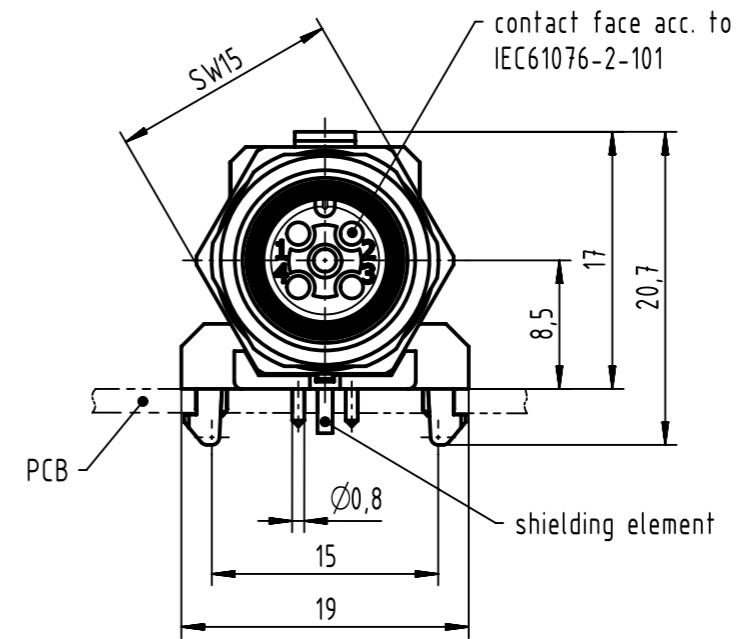
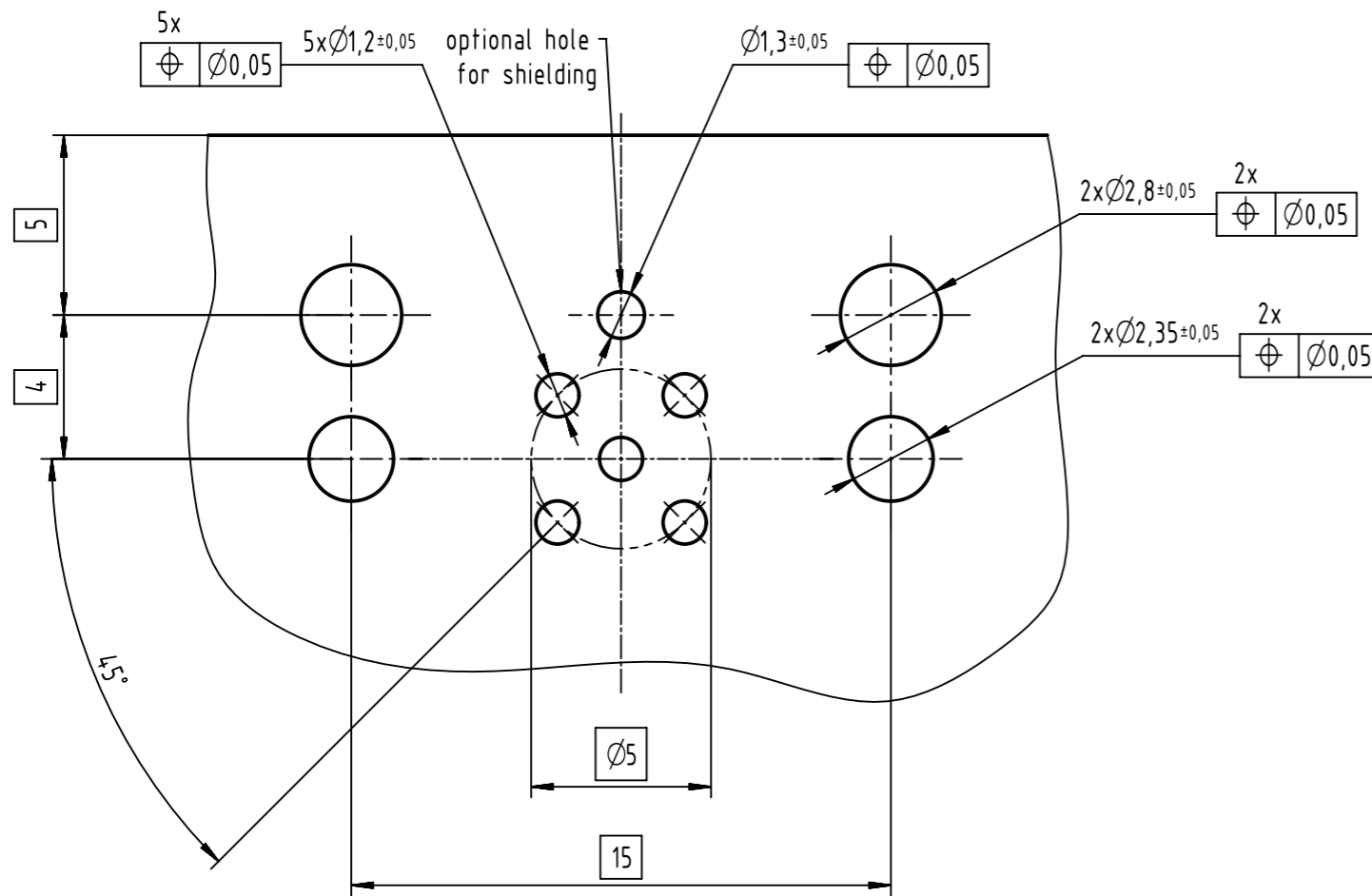


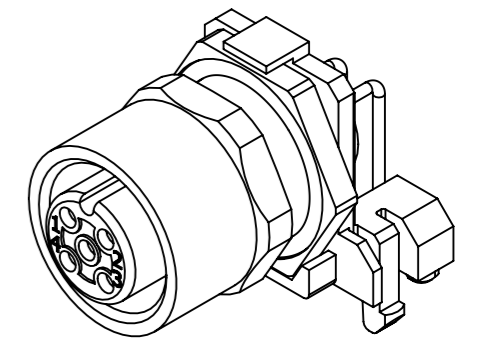
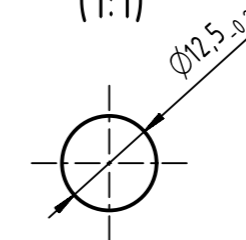
A(5:1)

recommended PCB layout



A ↑

panel cut out  
(1:1)



-10 pcs. package

recommended PCB thickness: 1.6mm

	All Dimensions in mm Original Size DIN A3		Scale 2:1	Free size tol.		Ref.	
	All rights reserved Department EL PD		Created by EISFELD	Inspected by 104122	Standardisation 302077	Date 2021-05-26	State Final Release
HARTING D-32339 Espelkamp		Title <b>M12-PCB-THT-2PC-5P-ACOD-F-ANG-SHLD</b>				Doc-Key / ECM-Nr. 100671222/UGD/000/B 500000195441	
		Type TB	Number 21033214501		Rev. B	Page 1/1	