

# Reducing adapter - REDUC-K-KV-M40/M25 BK - 1410741

Please be informed that the data shown in this PDF Document is generated from our Online Catalog. Please find the complete data in the user's documentation. Our General Terms of Use for Downloads are valid (<http://phoenixcontact.com/download>)




Reducing adapter, material: Polyamide fiberglass reinforced, connecting thread: M40 x 1.5, color: black, with flat gasket

## Product Description

Reduced M40 to M25



## Key Commercial Data

Packing unit	10 pc
GTIN	 4 046356 873222
GTIN	4046356873222

## Technical data

### Dimensions

Length	16 mm
Length without connecting thread	6 mm
Connecting thread diameter	40 mm
Wrench size, union nut	46 mm
Hexagon angular dimension	50.5 mm
Length of the connecting thread	10 mm

### Ambient conditions

Degree of protection (IP)	IP65 (Depends on the screw connection used)
Ambient temperature (operation)	-30 °C ... 100 °C

### General

Material	Polyamide fiberglass reinforced
Outer thread	M40
Internal thread	M25
Torque	5 Nm ... 7.5 Nm
Flammability rating according to UL 94	HB

# Reducing adapter - REDUC-K-KV-M40/M25 BK - 1410741

## Technical data

### General

Color	black
-------	-------

### Standards and Regulations

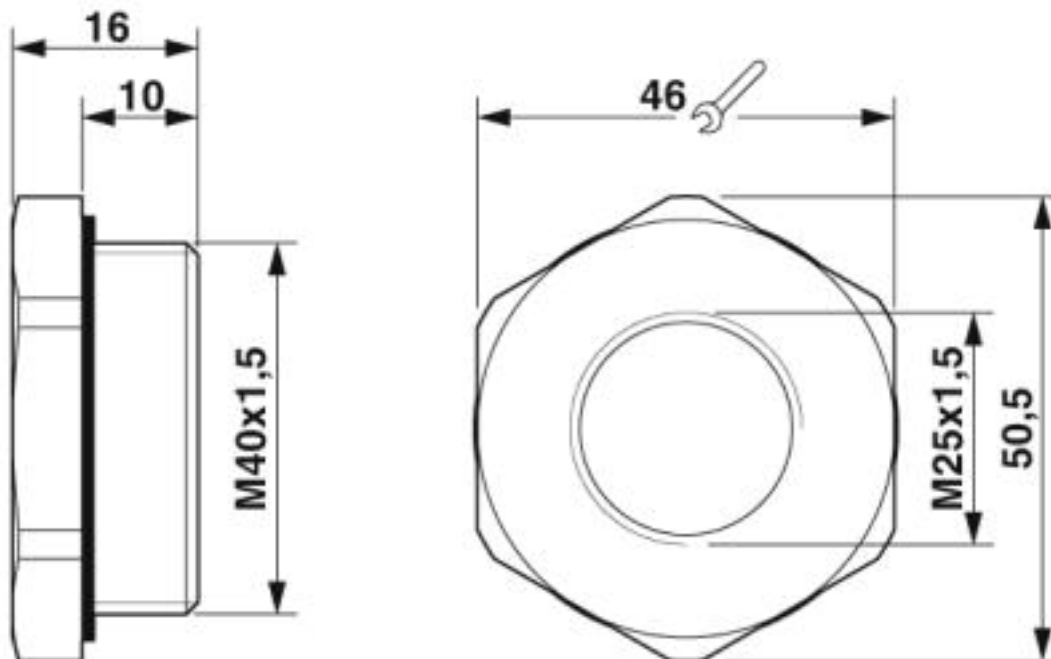
Halogen-free	no
Flammability rating according to UL 94	HB

### Environmental Product Compliance

China RoHS	Environmentally friendly use period: unlimited = EFUP-e
	No hazardous substances above threshold values

## Drawings

Dimensional drawing



Dimensional drawing