

6

5

4

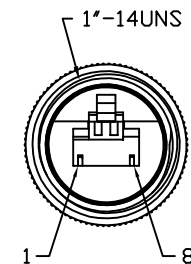
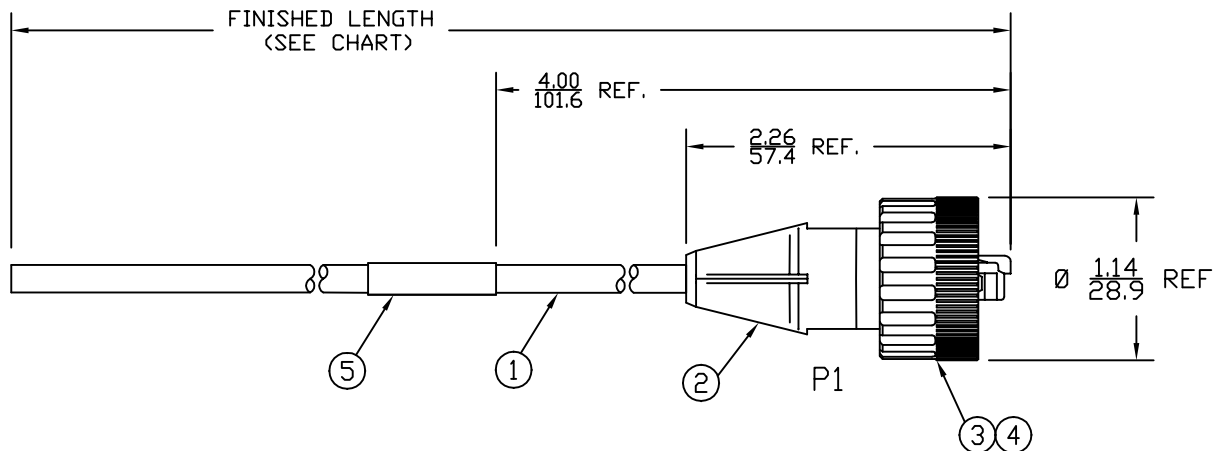
3

2

1

MATERIAL NUMBER	ENGINEERING NO.	LENGTH ± TOLERANCE
1300500506	ENQ3105M010	3' 3" +2.19"/-0" [ 1M +55.6/-0 mm ]
1300500250	ENQ3105M050	16' 4" +6.50"/-0" [ 5M +165.1/-0 mm ]

AUX VIEW  
SCALE 1:4



MALE - FACE VIEW

P1

Color	Pin
WHITE/DRG	1
ORANGE	2
WHITE/GRN	3
BLUE	4
WHITE/BLU	5
GREEN	6
WHITE/BRO	7
BROWN	8

WIRING DIAGRAM

NOTES:

- 1) MATERIAL: SEE TABLE
- 2) FINISHES: SEE TABLE
- 3) CABLE: #24/8 UNSHIELDED TWISTED PAIR, PVC
- 4) ELECTRICAL DATA:  
ACCORDING TO CAT5e ETHERNET STANDARD  
MAX. VOLTAGE: 30V  
MAX. CURRENT 1.5A
- 5) ENVIRONMENTAL:  
PROTECTION IP67  
TEMPERATURE RANGE: -10°C TO +60°C
- 6) WRAP LABEL IS MARKED WITH P/N & DATE CODE.
- 7) ASSEMBLY IS RoHS COMPLIANT.

ITEM	QTY.	DESCRIPTION	MATERIAL	FINISH
5	1	LABEL	PLASTIC FILM	BLACK/YELLOW
4	1	RJ45 PLUG	POLYCARBONATE	CLEAR
3	1	COUPLING NUT	ASA	BLACK
2	1	OVERMOLD	PUR	BLACK
1	1	ETHERNET CABLE-CAT5E	PVC JACKET	BLACK

SD RELEASE EC NO: WNA2010-0016 7/23/09 DRWN: YOU CHKD: BWOODMAN APPR: JFMURPHY 2009/08/10	QUALITY SYMBOLS ▽=0 ▽=0	GENERAL TOLERANCES (UNLESS SPECIFIED)		DIMENSION STYLE	SCALE	DESIGN UNITS	THIRD ANGLE PROJECTION	
				IN/MM	3:4	INCH		
		4 PLACES	±----	±----	DRAWN BY	DATE		TITLE
		3 PLACES	±----	±.005	YOU	2009/07/15		INDUSTRIAL ETHERNET ASSY 8P MALE 568B WIRING #24/8 UNSHIELDED CABLE
2 PLACES	±----	±.010	CHECKED BY	DATE				
1 PLACE	±----	±.020	BWOODMAN	2009/07/31				
ANGULAR ± 1/2°				APPROVED BY	DATE			
DRAFT WHERE APPLICABLE MUST REMAIN WITHIN DIMENSIONS				MATERIAL NO.	MOLEX INCORPORATED			
				SEE CHART		DOCUMENT NO.	SHEET NO.	
				SIZE	THIS DRAWING CONTAINS INFORMATION THAT IS PROPRIETARY TO MOLEX INCORPORATED AND SHOULD NOT BE USED WITHOUT WRITTEN PERMISSION			
1				A	SD-130050-005		1 OF 1	

6

5

4

3

2

1

E

E

D

D

C

C

B

B

A

A