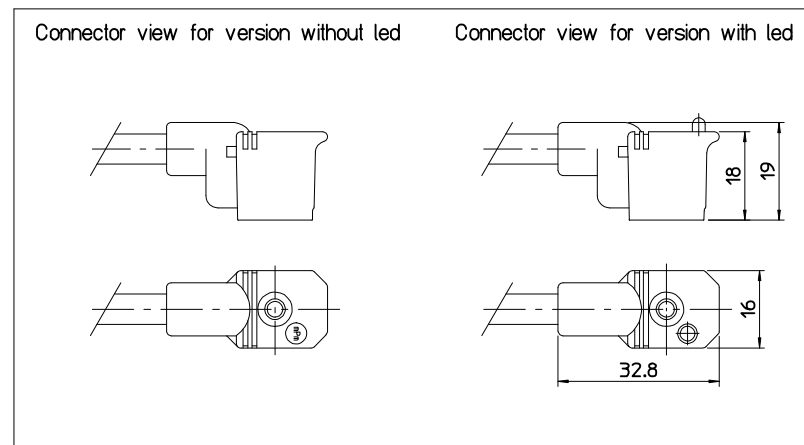
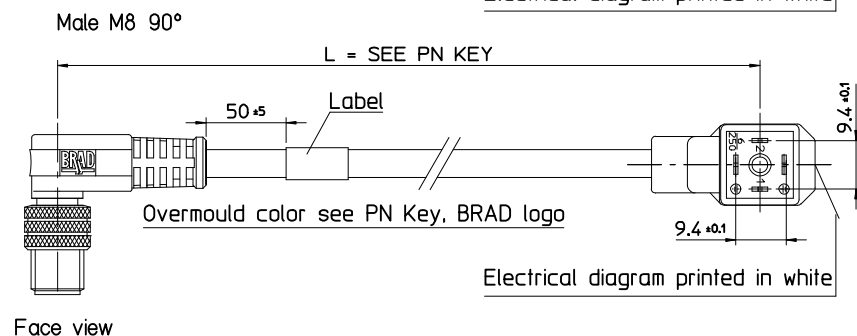
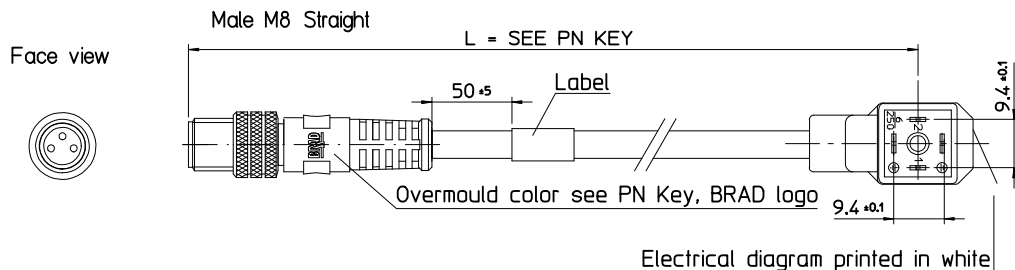
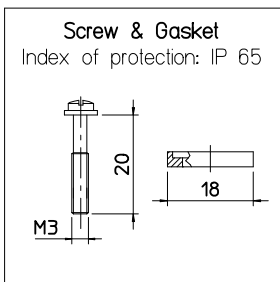
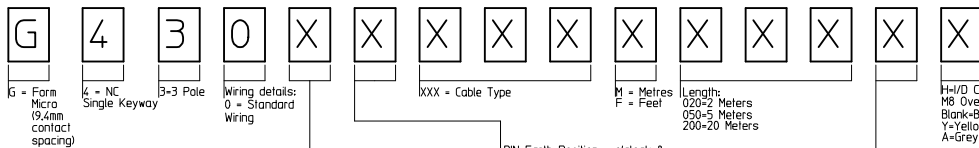


Over	Up to and including	Tolerance
0	1000	±20
1000	3000	±30
3000	5000	±40
5000	10000	±50
10000	15000	±100
15000	20000	±150
20000		±L/100



PART No MATRIX - PN KEY



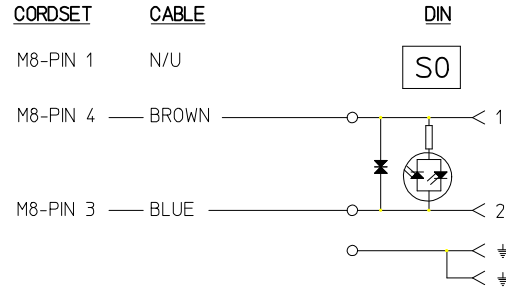
Electrical configuration:
 0 = Without LED/Without circuit
 A = S0 24V Yellow LED
 B = C4 24V Yellow LED
 C = S0 110V Yellow LED
 D = C4 110V Yellow LED
 E = S0 24V Green LED
 F = C4 24V Green LED
 G = S0 110V Green LED
 H = C4 110V Green LED
 J = S0 24V Red LED
 K = C4 24V Red LED
 L = S0 110V Red LED
 M = C4 110V Red LED
 S = C4 230V Yellow LED

DIN Earth Position - o'clock & M12 connector body:
 0 = Earth H6/H12, MALE Straight
 2 = Earth H6/H12, MALE 90°

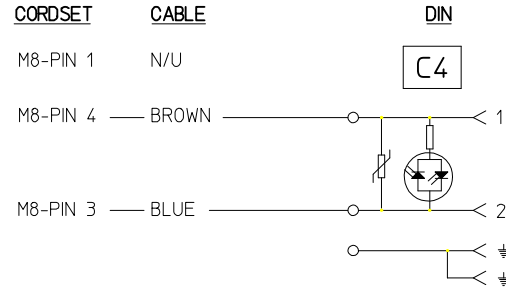
ORIGINAL RELEASE EC NO: IPG2016-0054 DRWN:APAWLAK01 2015/07/09 CHKD:FGAIK 2015/07/09 APPR:MIWASIECZKO 2015/07/20	QUALITY SYMBOLS 	GENERAL TOLERANCES (UNLESS SPECIFIED)		DIMENSION STYLE MM ONLY		SCALE -	DESIGN UNITS METRIC	THIRD ANGLE PROJECTION			
		4 PLACES ± --- ± ---	mm INCH	DRAWN BY APAWLAK01	DATE 2015/07/09	TITLE G43XXXXXXXXXX DIN MICRO + M8					
		3 PLACES ± --- ± ---		CHECKED BY FGAIK	DATE 2015/07/09						
		2 PLACES ± --- ± --- 1 PLACE ± --- ± --- 0 PLACE ± --- ± ---		APPROVED BY MIWASIECZKO 2015/07/20		MATERIAL NO. SEE SHEET 2	DOCUMENT NO. SD-121036-016	SHEET NO. 1 OF 2			
DRAFT WHERE APPLICABLE MUST REMAIN WITHIN DIMENSIONS		ANGULAR ± --- °		THIS DRAWING CONTAINS INFORMATION THAT IS PROPRIETARY TO MOLEX INCORPORATED AND SHOULD NOT BE USED WITHOUT WRITTEN PERMISSION							

Electrical diagrams

Electrical diagram with circuit S0 (zener diode) for:



Electrical diagram with circuit C4 (VDR) for:



Cable type

Cable Type	Jacket Material	Jacket Color	Wire cross section	Braid
A58	PVC	Black	20AWG	no
E03	PVC	Black	0.34mm ²	no
E12	PVC	Black	0.5mm ²	no
I12	CEI PVC	Grey	0.5mm ²	no
P12	PUR	Black	0.5mm ²	no
I03	CEI PVC	Grey	0.34mm ²	no
E11	PVC	Yellow	0.34mm ²	no

TABLE 1

Pos.	Molex PN:	Engineering No.:
1	1210360963	G430B2A58M004
2	1210360355	G430B0I03M006
3	1210360483	G430B0I03M010
4	1210360546	G430B0E12M006
5	1210360613	G430B0E11M020
6	1210360615	G430B0E12M003
7	1210360616	G430B2P12M006
8	1210360617	G430K0E12M003
9	1210360688	G430B0P12M006
10	1210360697	G430B0P12M003
11	1210360807	G430B0E11M010
12	1210360842	G430B0E12M050H
13	1210360963	G430B2A58M004
14		
15		
16		
17		
18		
19		
20		

ORIGINAL RELEASE EC NO: IPG2016-0054 DRWN:APAWLAK01 2015/07/09 CHKD:FGAIK 2015/07/09 APPR:MIWASIECZKO 2015/07/20	DESCRIPTION REV A	QUALITY SYMBOLS	GENERAL TOLERANCES (UNLESS SPECIFIED)	DIMENSION STYLE	SCALE	DESIGN UNITS	THIRD ANGLE PROJECTION	
		▼=0 □=0	mm INCH	MM ONLY	-	METRIC		
			4 PLACES ± --- ± ---	DRAWN BY DATE	TITLE	G43XXXXXXXXXX DIN MICRO + M8 molex MATERIAL NO. SD-121036-016 DOCUMENT NO. SHEET NO. 2 OF 2		
			3 PLACES ± --- ± ---	APAWLAK01 2015/07/09				
			2 PLACES ± --- ± ---	CHECKED BY DATE				
	1 PLACE ± --- ± ---	FGAIK 2015/07/09						
	0 PLACE ± --- ± ---	APPROVED BY DATE						
	ANGULAR ± --- °	MIWASIECZKO 2015/07/20						
	DRAFT WHERE APPLICABLE MUST REMAIN WITHIN DIMENSIONS	SEE TABLE 1						
		SIZE A3	THIS DRAWING CONTAINS INFORMATION THAT IS PROPRIETARY TO MOLEX INCORPORATED AND SHOULD NOT BE USED WITHOUT WRITTEN PERMISSION					