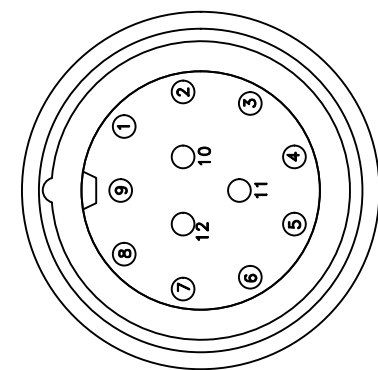
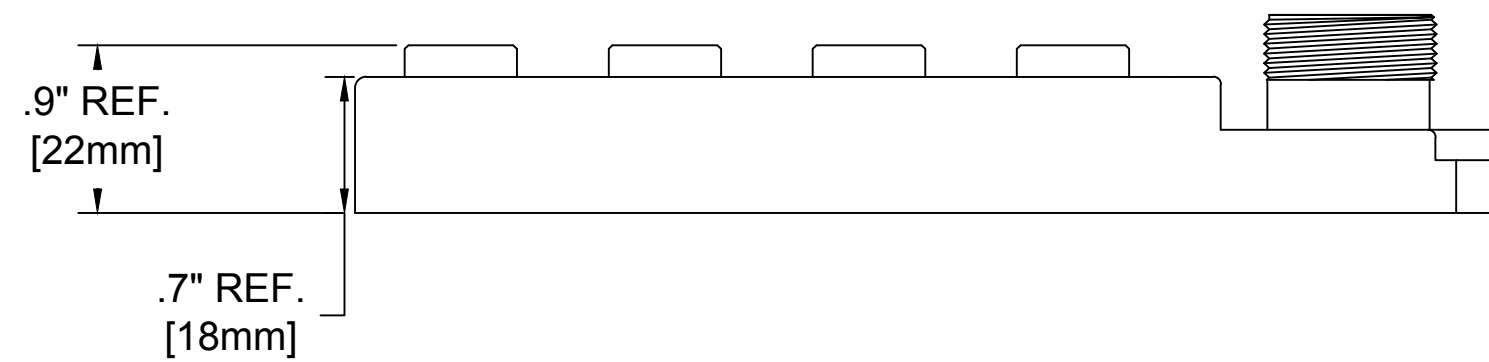
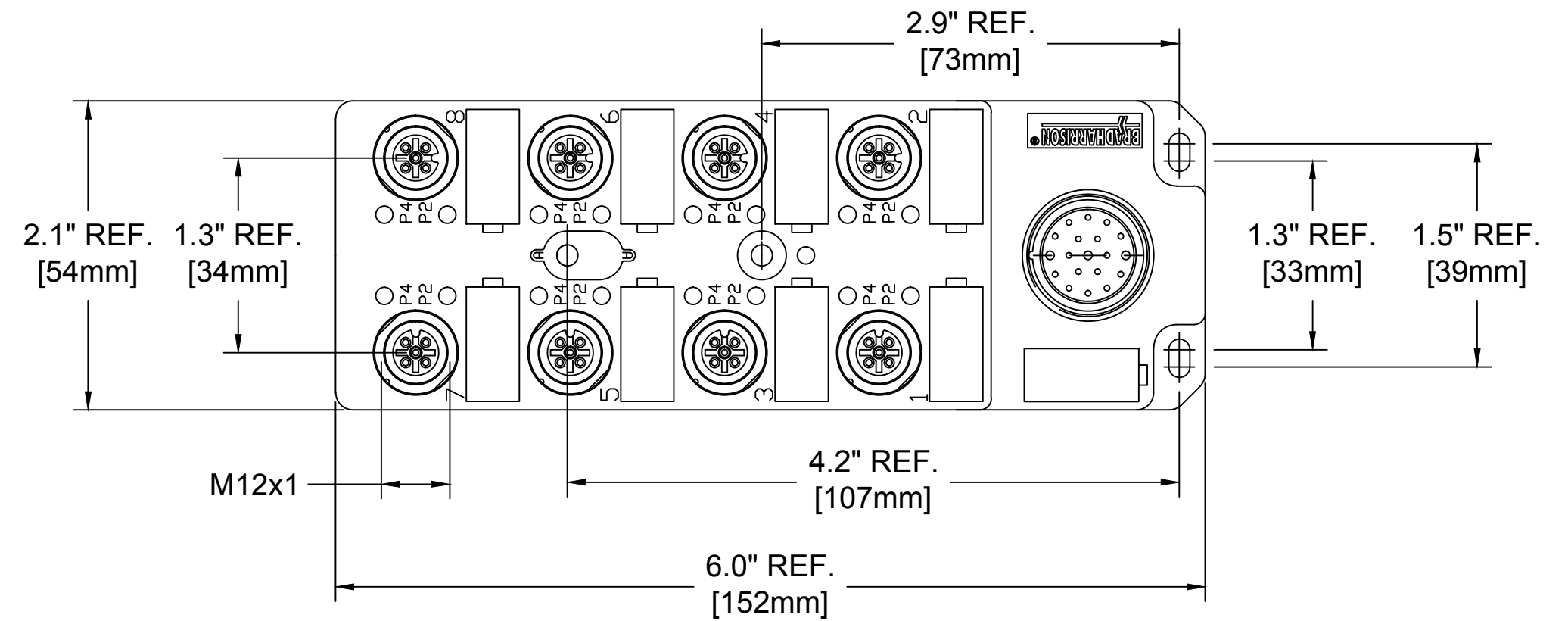
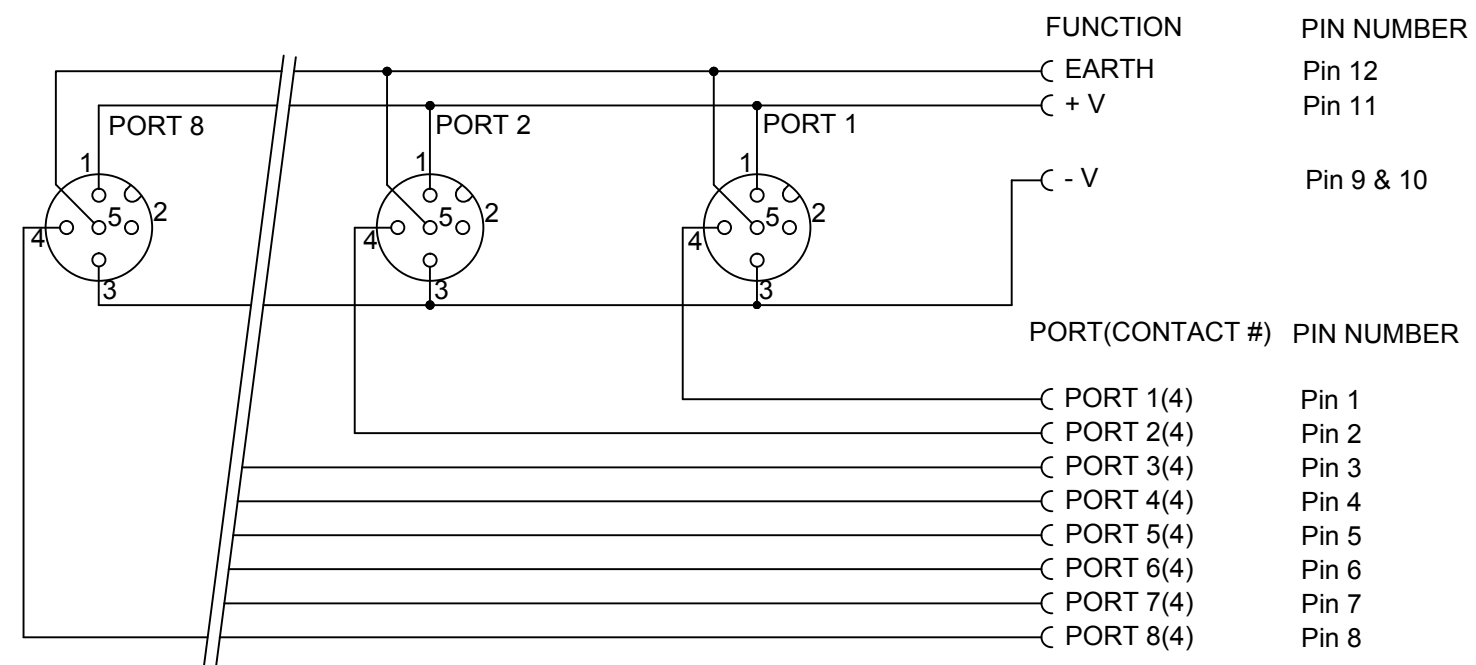


13	12	11	10	9	8	7	6	5	4	3	2	1
MATERIAL NUMBER	OLD PART NUMBER											
1200550321	BTY8010-FBC											



MALE FACE VIEW

CONTACT:	GOLD/NICKEL OVER COPPER ALLOY
□-RING:	FPM, RED
HOUSING:	PBT, YELLOW
VOLTAGE RATING:	10-30V DC MAX
AMPERAGE RATING:	MODULE-12A MAX PORT-4A MAX
PROTECTION:	IP67
OPERATING TEMPERATURE:	-5°C TO 80°C

RELEASE EC NO.: ICG2014-0871 DRWN: GGUSTAFS 2013/09/10 CH'KD: BARDEN APPR: BWOODMAN2013/11/20	DESCRIPTION REV	QUALITY SYMBOL ▽=0 ▽=0	GENERAL TOLERANCES (UNLESS SPECIFIED)		DIMENSION STYLE		SCALE	DESIGN UNITS	THIRD ANGLE PROJECTION			
					IN/MM		NTS	INCH				
							DRAWN BY	DATE	TITLE		8 PORT MIC MPIS TOP MOUNT NO LED 12P MALE M23 CONNECTOR	
							GGUSTAFS	2013/09/10				
				CHECKED BY	DATE			MOLEX INCORPORATED				
				BARDEN	2013/11/21							
				APPROVED BY	DATE			DOCUMENT NO. SD-120055-007				
				BWOODMAN	2013/11/20							
				MATERIAL NO.		DOCUMENT NO.		SHEET NO.				
				SEE CHART		SD-120055-007		1 OF 1				
				DRAFT WHERE APPLICABLE MUST REMAIN WITHIN DIMENSIONS		THIS DRAWING CONTAINS INFORMATION THAT IS PROPRIETARY TO MOLEX INCORPORATED AND SHOULD NOT BE USED WITHOUT WRITTEN PERMISSION						
				ANGULAR ±.5°								
				SIZE								
				C								