

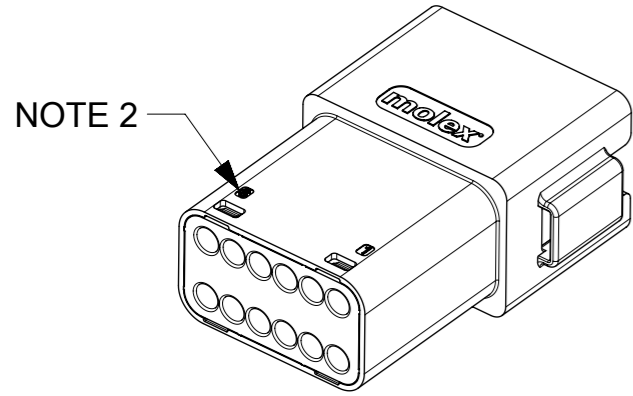
NOTES
 1. SEE SHEETS 2 - 9 FOR UNSPECIFIED NOTES, DIMENSIONS & PART NUMBERS

PRE-RELEASE
 REFERENCE
 USE ONLY

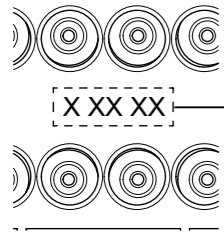
SYMBOLS		THIS DRAWING CONTAINS INFORMATION THAT IS PROPRIETARY TO MOLEX ELECTRONIC TECHNOLOGIES, LLC AND SHOULD NOT BE USED WITHOUT WRITTEN PERMISSION		CURRENT REV DESC: SEE LONG TEXT	
▽ = 0	DIMENSION UNITS	SCALE			
▽ = 0	mm	1.25:1			
▽ = 0	GENERAL TOLERANCES (UNLESS SPECIFIED)				
▽ = 0	ANGULAR TOL ± 2.0°				
▽ = 0	4 PLACES ±		EC NO: 619923		
▽ = 0	3 PLACES ±		DRWN: JFLETCHER 2019/07/01		
▽ = 0	2 PLACES ± 0.1		CHK'D: IOCONNELL 2019/08/15		
▽ = 0	1 PLACE ± 0.2		APPR:		
▽ = 0	0 PLACES ±		INITIAL REVISION:		
▽ = 0	DRAFT WHERE APPLICABLE MUST REMAIN WITHIN DIMENSIONS		DRWN: JFLETCHER 2015/12/16		
▽ = 0	THIRD ANGLE PROJECTION		APPR: JDWALLACE 2016/01/14		
		DRAWING	SERIES	MATERIAL NUMBER	CUSTOMER
		A3-SIZE	93443	SEE CHART	GENERAL MARKET
		DOCUMENT NUMBER		DOC TYPE	DOC PART
		934430060		PSD	000
		SHEET NUMBER		REVISION	
		1 OF 9		C3	

DOCUMENT STATUS	RV	RELEASE DATE	
-----------------	----	--------------	--

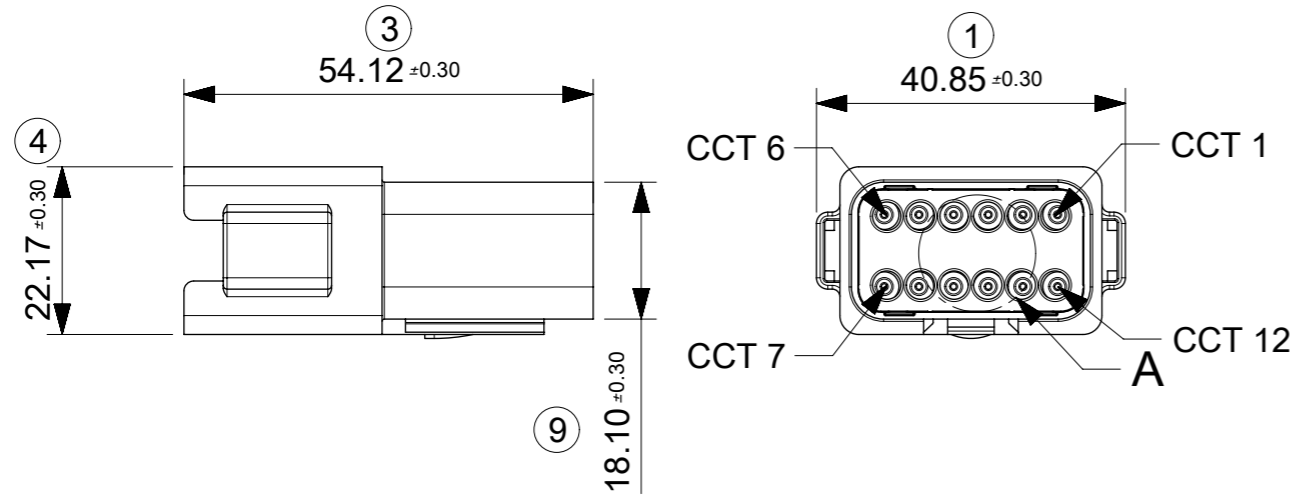
12CCT RECEPTACLE CONNECTOR



DATE CODE: X XX XX
 X — DAY: 1- 7
 X — WEEK: 01 - 52
 X — YEAR: 00 - 99
 # — MACHINE NO. 1
 EXAMPLE: 11315 = DAY 1, WEEK 13, YEAR 15
 i.e. 23rd OF MARCH 2015

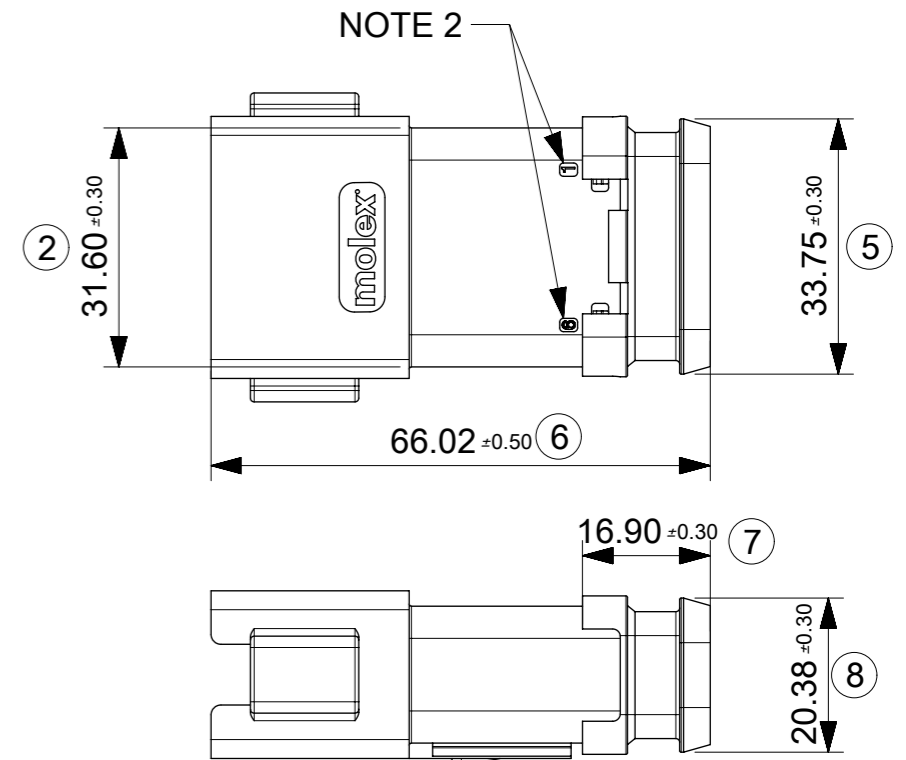
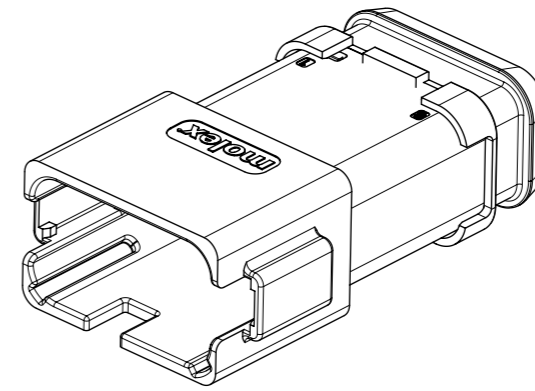


DETAIL A
 SCALE 2:1



- NOTES
- MATERIAL
 HOUSING: NYLON 30% GF
 BACK SEAL: HIGH CONSISTENCY RUBBER
 - CIRCUIT IDENTIFICATION
 - JACKET RANGE LARGE = \varnothing 2.23mm TO 3.68mm (SEAL COLOUR: LIGHT BLUE)
 JACKET RANGE SMALL = \varnothing 1.20mm TO 3.05mm (SEAL COLOUR: BURNT ORANGE)
 - SEE SHEET 3 FOR FINAL PART NUMBER DESIGNATION
 - SEE 934430010 PS P FOR PRODUCT SPECIFICATION
 - SEE 934430002 PS K FOR PACKAGING SPECIFICATION
 - INSPECTION NUMBERS 1-50 RESERVED FOR SHEET 2
 LAST INSPECTION NUMBER: 9

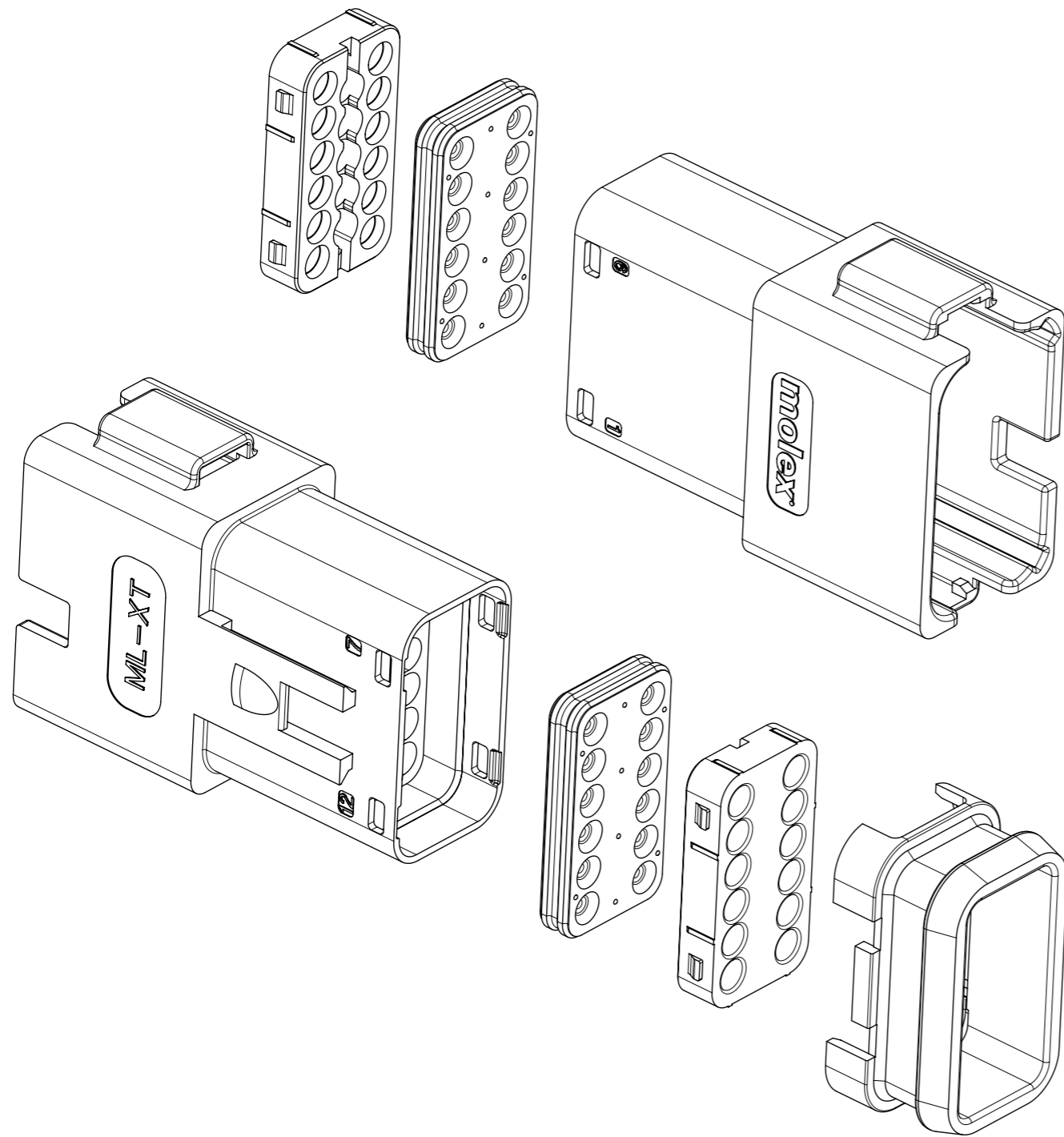
12CCT RECEPTACLE CONNECTOR WITH HEATSHRINK HOUSING ULTRASONICALLY WELDED IN PLACE



PRE-RELEASE
 REFERENCE
 USE ONLY

SYMBOLS		THIS DRAWING CONTAINS INFORMATION THAT IS PROPRIETARY TO MOLEX ELECTRONIC TECHNOLOGIES, LLC AND SHOULD NOT BE USED WITHOUT WRITTEN PERMISSION	
DIMENSION UNITS	SCALE	CURRENT REV DESC: SEE LONG TEXT	
$\nabla = 0$	mm	1:1	molex 12CCT ML-XT CV CONNECTOR SYSTEM PRODUCT CUSTOMER DRAWING
$\nabla = 0$	GENERAL TOLERANCES (UNLESS SPECIFIED)		
$\nabla = 0$	ANGULAR TOL ± 2.0°		
$\nabla = 0$	4 PLACES	±	EC NO: 619923 DRWN: JFLETCHER 2019/07/01 CHK'D: IOCONNELL 2019/08/15 APPR:
$\nabla = 0$	3 PLACES	±	INITIAL REVISION: DRWN: JFLETCHER 2015/12/16 APPR: JDWALLACE 2016/01/14
$\nabla = 0$	2 PLACES	± 0.1	
$\nabla = 0$	1 PLACE	± 0.2	
$\nabla = 0$	0 PLACES	±	DOCUMENT NUMBER: 934430060 DOC TYPE: PSD DOC PART: 000 REVISION: C3
$\square = 0$	DRAFT WHERE APPLICABLE MUST REMAIN WITHIN DIMENSIONS		THIRD ANGLE PROJECTION DRAWING: A3-SIZE SERIES: 93443 MATERIAL NUMBER: SEE CHART CUSTOMER: GENERAL MARKET SHEET NUMBER: 2 OF 9

DOCUMENT STATUS	RV	RELEASE DATE
-----------------	----	--------------



12CCT RECEPTACLE CONNECTOR

SERIES NO.

93444

CIRCUIT SIZE
6 = 12CCT

6

ASSEMBLY OPTIONS

- 1 = RECEPTACLE ASSEMBLY FOR WIRE JACKET RANGE \varnothing 1.20mm - 3.05mm
- 2 = RECEPTACLE ASSEMBLY FOR WIRE JACKET RANGE \varnothing 2.23mm - 3.68mm
- 5 = RECEPTACLE ASSEMBLY & HEATSHRINK FOR WIRE JACKET RANGE \varnothing 1.20mm - 3.05mm
- 6 = RECEPTACLE ASSEMBLY & HEATSHRINK FOR WIRE JACKET RANGE \varnothing 2.23mm - 3.68mm

KEYING / COLOUR OPTION

- 12 = KEYING OPTION A (GREY)
- 11 = KEYING OPTION A (BLACK)
- 21 = KEYING OPTION B (BLACK)
- 33 = KEYING OPTION C (GREEN)
- 47 = KEYING OPTION D (BROWN)

EXAMPLE:

12CCT RECEP & HEATSHRINK FOR WIRE JACKET RANGE \varnothing 1.20mm-3.05mm, KEYING OPTION A (GREY): 93444-6512

NOTES

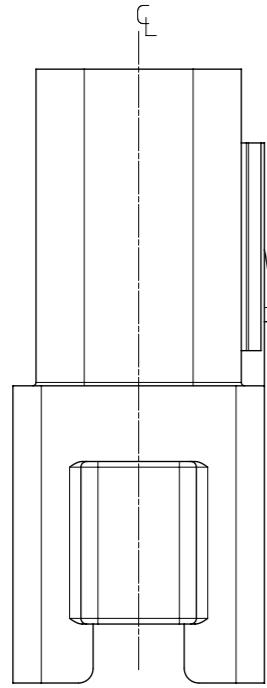
1. SEE SHEET 2 FOR UNSPECIFIED NOTES AND DIMENSIONS
2. BACK COVER COLOUR: BLACK
3. HEATSHRINK HOUSING COLOUR: BLACK

PRE-RELEASE
REFERENCE
USE ONLY

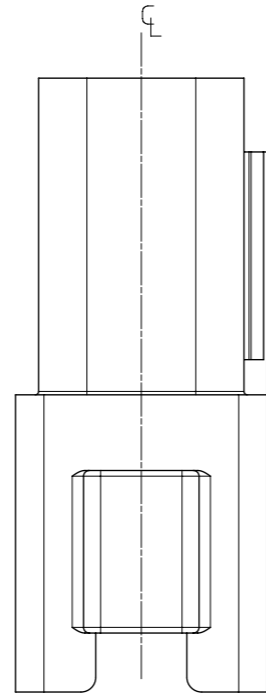
SYMBOLS		THIS DRAWING CONTAINS INFORMATION THAT IS PROPRIETARY TO MOLEX ELECTRONIC TECHNOLOGIES, LLC AND SHOULD NOT BE USED WITHOUT WRITTEN PERMISSION		CURRENT REV DESC: SEE LONG TEXT					
$\nabla = 0$	mm	SCALE	1.5:1	<div style="text-align: right; font-weight: bold; font-size: 24px;">molex</div> <p>12CCT ML-XT CV CONNECTOR SYSTEM</p>					
$\nabla = 0$	GENERAL TOLERANCES (UNLESS SPECIFIED)		<p>EC NO: 619923</p> <p>DRWN: JFLETCHER 2019/07/01</p> <p>CHK'D: IOCONNELL 2019/08/15</p> <p>APPR:</p> <p>INITIAL REVISION:</p> <p>DRWN: JFLETCHER 2015/12/16</p> <p>APPR: JDWALLACE 2016/01/14</p>						
$\nabla = 0$	ANGULAR TOL \pm 2.0°								
$\nabla = 0$	4 PLACES	\pm							
$\nabla = 0$	3 PLACES	\pm							
$\nabla = 0$	2 PLACES	\pm 0.1	<p>PRODUCT CUSTOMER DRAWING</p>						
$\nabla = 0$	1 PLACE	\pm 0.2				DOCUMENT NUMBER	DOC TYPE	DOC PART	REVISION
$\nabla = 0$	0 PLACES	\pm				934430060	PSD	000	C3
$\blacksquare = 0$	DRAFT WHERE APPLICABLE MUST REMAIN WITHIN DIMENSIONS		THIRD ANGLE PROJECTION	DRAWING	SERIES	MATERIAL NUMBER	CUSTOMER	SHEET NUMBER	
$\nabla = 0$				A3-SIZE	93443	SEE CHART	GENERAL MARKET	3 OF 9	

DOCUMENT STATUS	RV	RELEASE DATE
-----------------	----	--------------

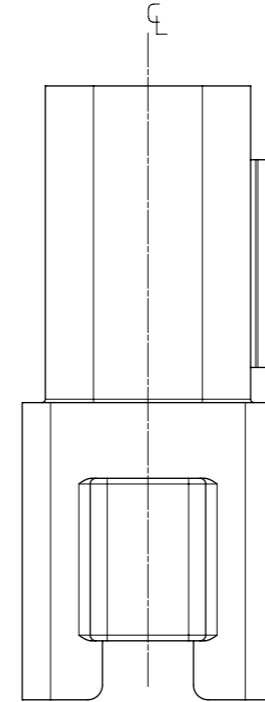
KEYING OPTION A



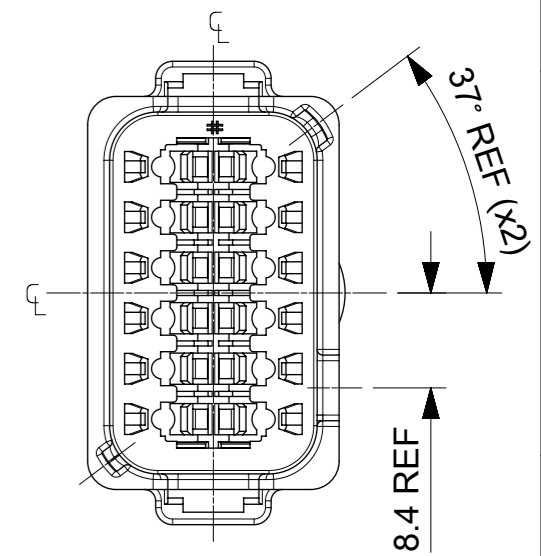
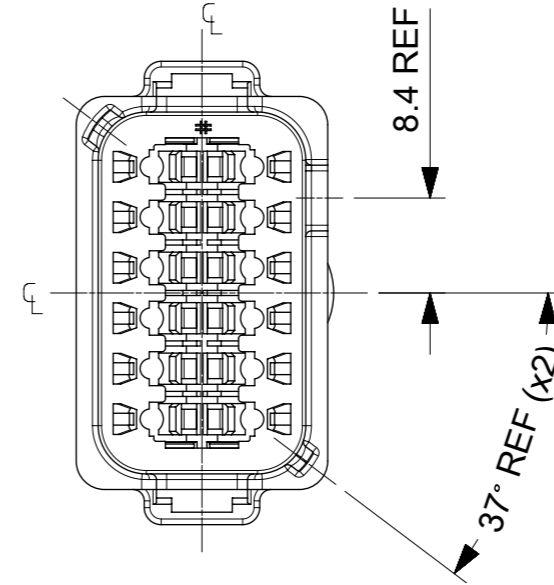
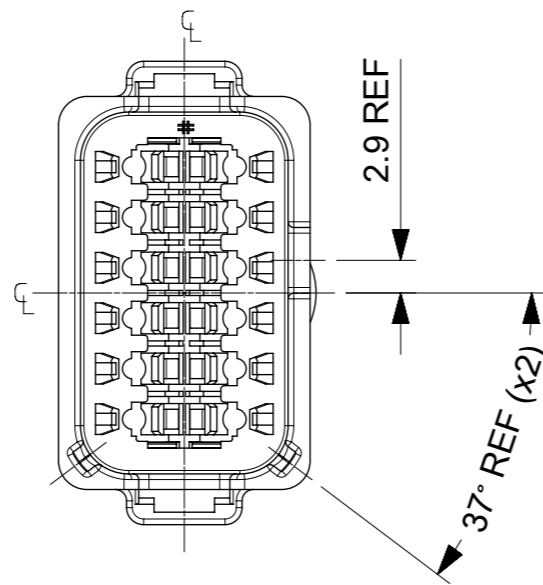
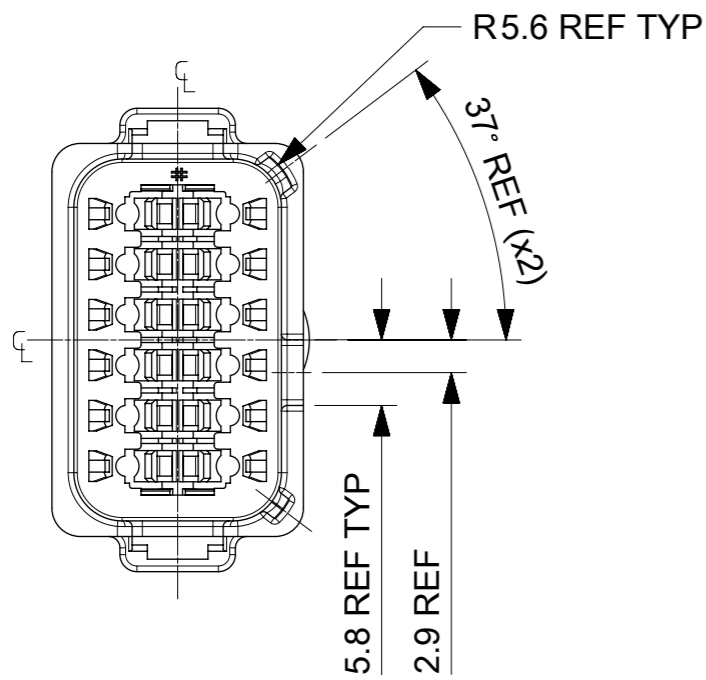
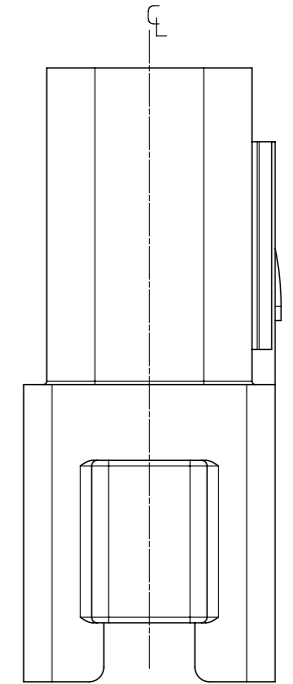
KEYING OPTION B



KEYING OPTION C



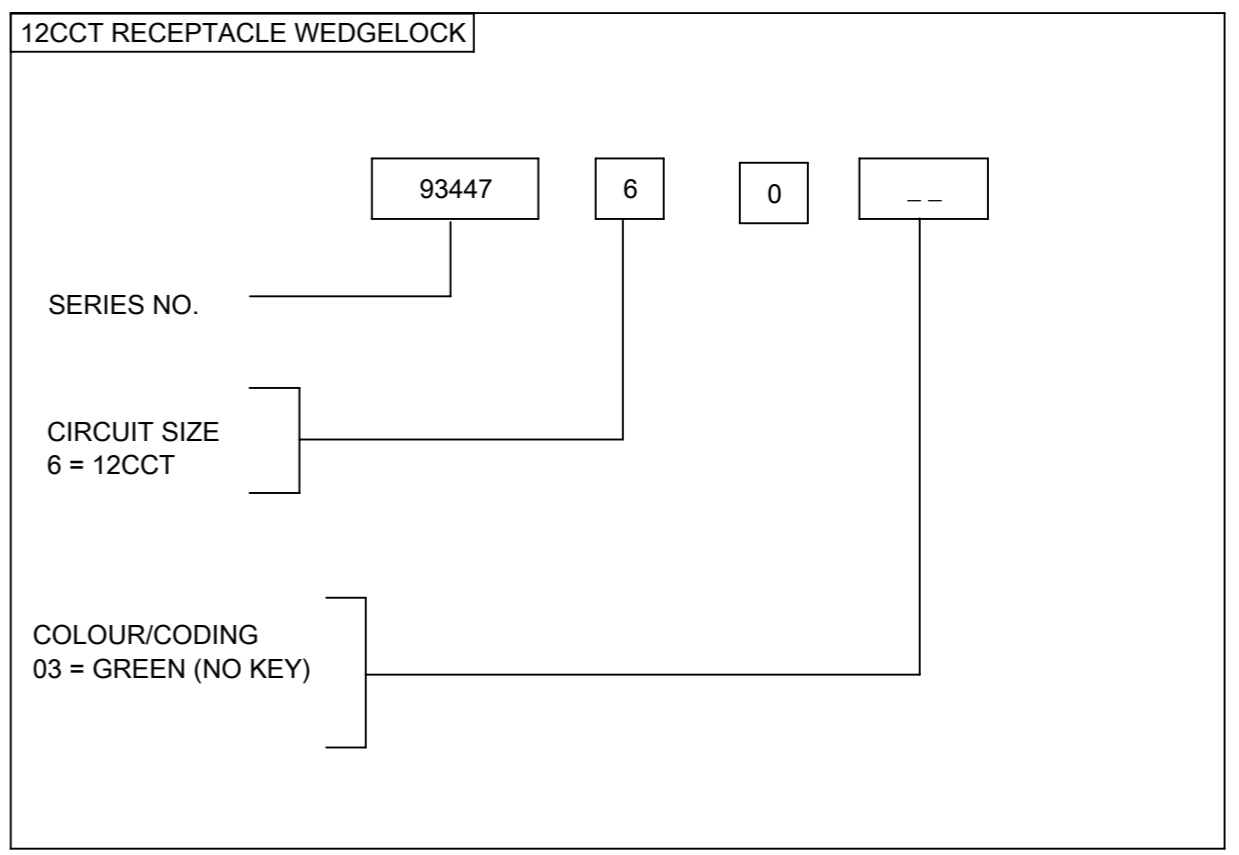
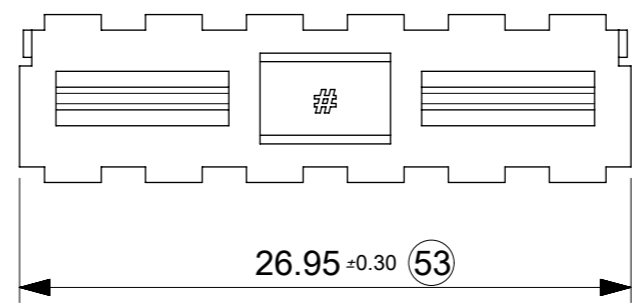
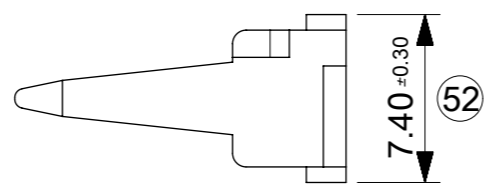
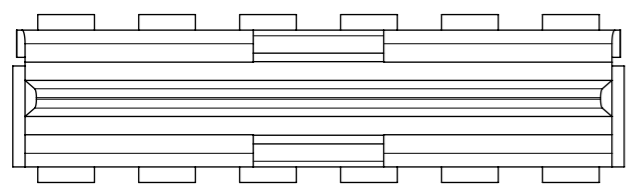
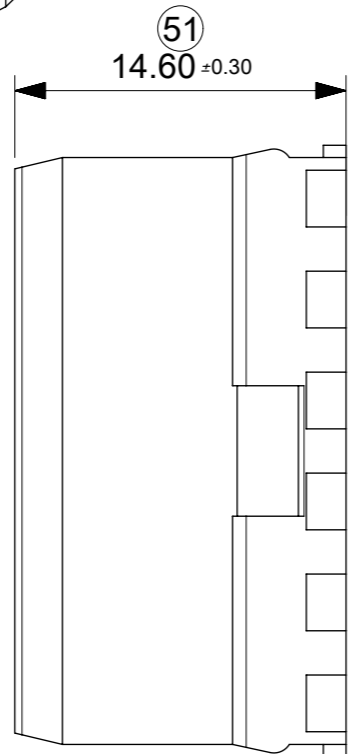
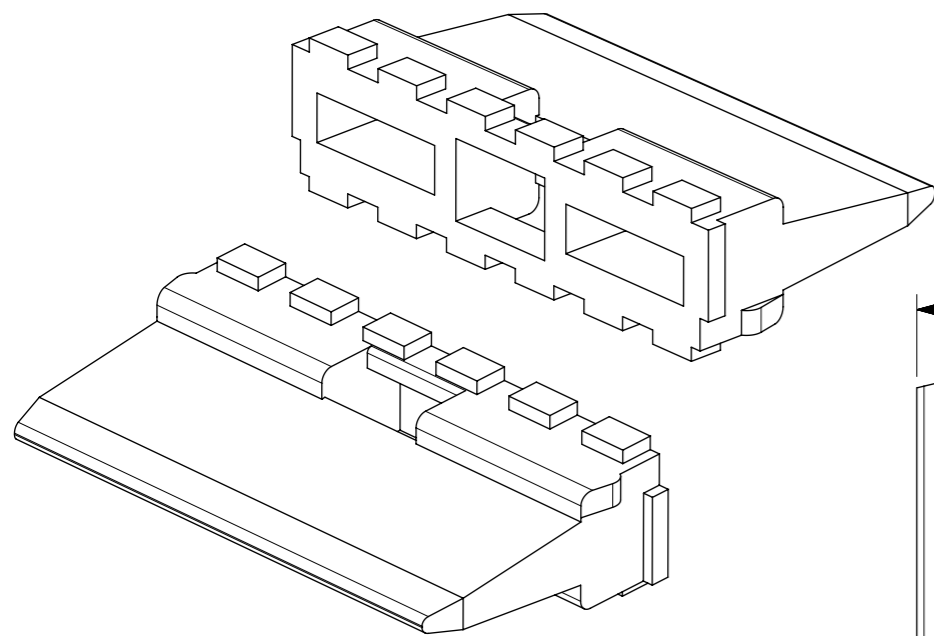
KEYING OPTION D



PRE-RELEASE
REFERENCE
USE ONLY

NOTES
1. SEE SHEETS 2 & 3 FOR UNSPECIFIED NOTES AND DIMENSIONS

SYMBOLS DIMENSION UNITS SCALE 0 = mm 1.5:1 GENERAL TOLERANCES (UNLESS SPECIFIED) ANGULAR TOL ± 2.0° 4 PLACES ± 3 PLACES ± 2 PLACES ± 0.1 1 PLACE ± 0.2 0 PLACES ± DRAFT WHERE APPLICABLE MUST REMAIN WITHIN DIMENSIONS THIRD ANGLE PROJECTION DRAWING SERIES MATERIAL NUMBER CUSTOMER SHEET NUMBER	THIS DRAWING CONTAINS INFORMATION THAT IS PROPRIETARY TO MOLEX ELECTRONIC TECHNOLOGIES, LLC AND SHOULD NOT BE USED WITHOUT WRITTEN PERMISSION CURRENT REV DESC: SEE LONG TEXT		molex 12CCT ML-XT CV CONNECTOR SYSTEM PRODUCT CUSTOMER DRAWING		
	EC NO: 619923 DRWN: JFLETCHER 2019/07/01 CHK'D: IOCONNELL 2019/08/15 APPR: INITIAL REVISION: DRWN: JFLETCHER 2015/12/16 APPR: JDWALLACE 2016/01/14				
DOCUMENT STATUS RV RELEASE DATE	A3-SIZE	93443	SEE CHART	GENERAL MARKET	4 OF 9



NOTES

1. MATERIAL:
HOUSING: NYLON 30% GLASS FILLED

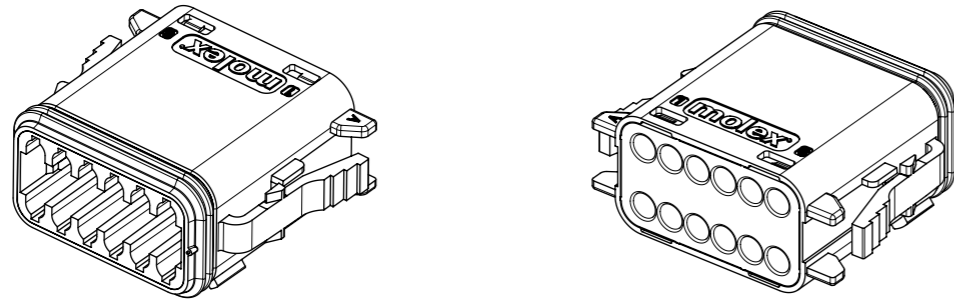
INSPECTION NUMBERS 51-100
RESERVED FOR SHEET 5
LAST INSPECTION NUMBER 53

PRE-RELEASE
REFERENCE
USE ONLY

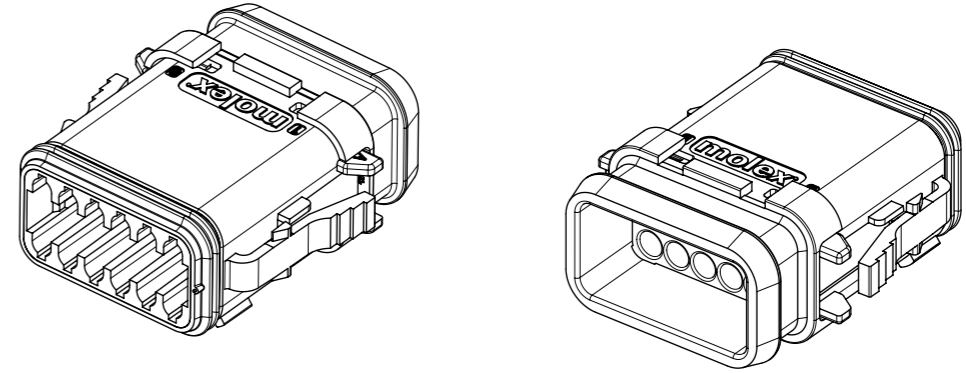
SYMBOLS		THIS DRAWING CONTAINS INFORMATION THAT IS PROPRIETARY TO MOLEX ELECTRONIC TECHNOLOGIES, LLC AND SHOULD NOT BE USED WITHOUT WRITTEN PERMISSION		CURRENT REV DESC: SEE LONG TEXT		molex	
▽ = 0	mm	SCALE	3:1	GENERAL TOLERANCES (UNLESS SPECIFIED)			
▽ = 0		ANGULAR TOL ± 2.0°		EC NO: 619923		PRODUCT CUSTOMER DRAWING	
▽ = 0	4 PLACES ±	DRWN: JFLETCHER		2019/07/01		DOCUMENT NUMBER	
▽ = 0	3 PLACES ±	CHK'D: IOCONNELL		2019/08/15		DOC TYPE DOC PART REVISION	
▽ = 0	2 PLACES ± 0.1	APPR:		INITIAL REVISION:		934430060	
▽ = 0	1 PLACE ± 0.2	DRWN: JFLETCHER		2015/12/16		PSD 000 C3	
▽ = 0	0 PLACES ±	APPR: JDWALLACE		2016/01/14		SHEET NUMBER	
■ = 0	DRAFT WHERE APPLICABLE MUST REMAIN WITHIN DIMENSIONS	THIRD ANGLE PROJECTION	DRAWING	SERIES	MATERIAL NUMBER	CUSTOMER	
▽ = 0		⊕	A3-SIZE	93443	SEE CHART	GENERAL MARKET	5 OF 9

DOCUMENT STATUS	RV	RELEASE DATE
-----------------	----	--------------

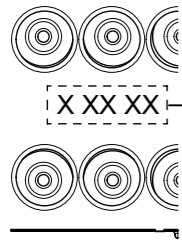
12CCT PLUG CONNECTOR



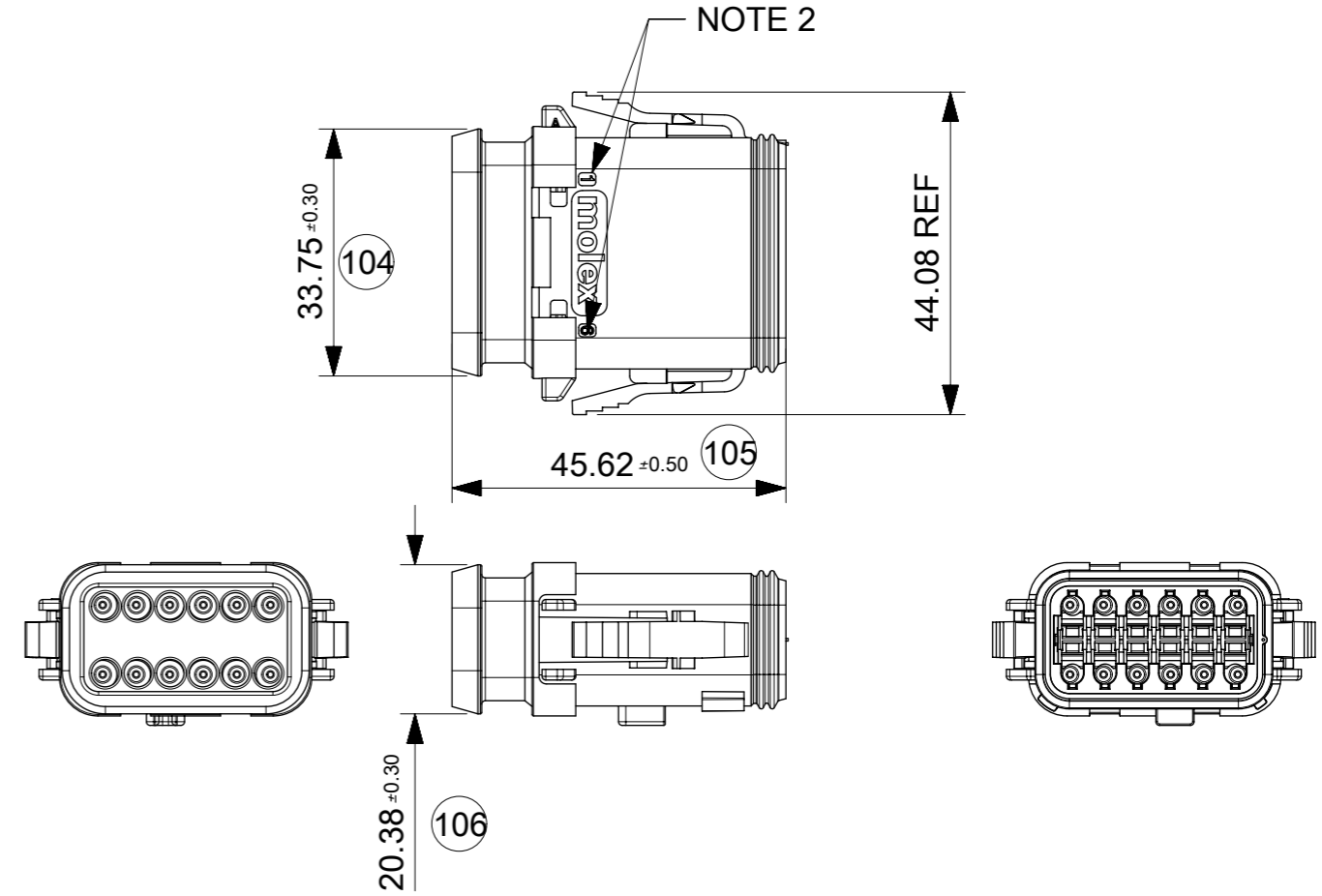
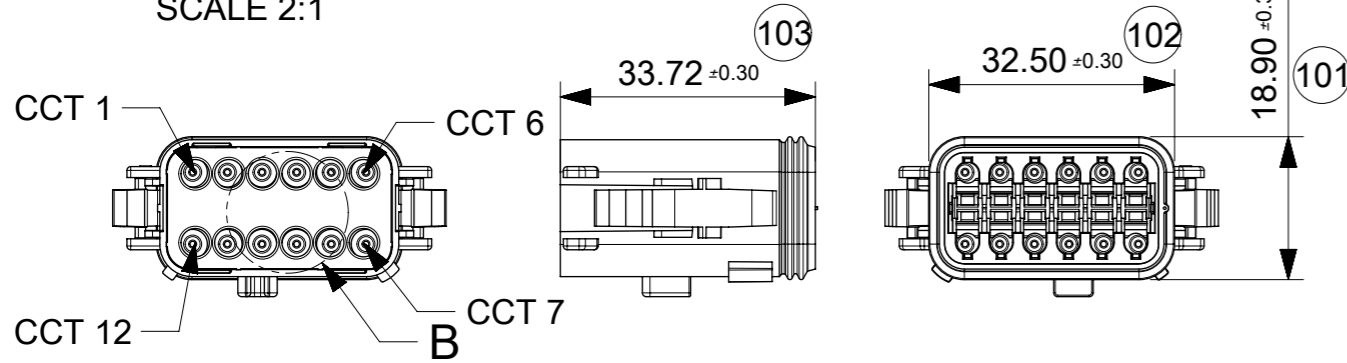
12CCT PLUG CONNECTOR WITH HEATSHRINK HOUSING ULTRASONICALLY WELDED IN PLACE



DATE CODE: X XX XX
 X — DAY: 1-7
 X — WEEK: 01 - 52
 X — YEAR: 00 - 99
 # — MACHINE NO. 1
 EXAMPLE: 11315 = DAY 1, WEEK 13, YEAR 15
 i.e. 23rd OF MARCH 2015



DETAIL B
 SCALE 2:1

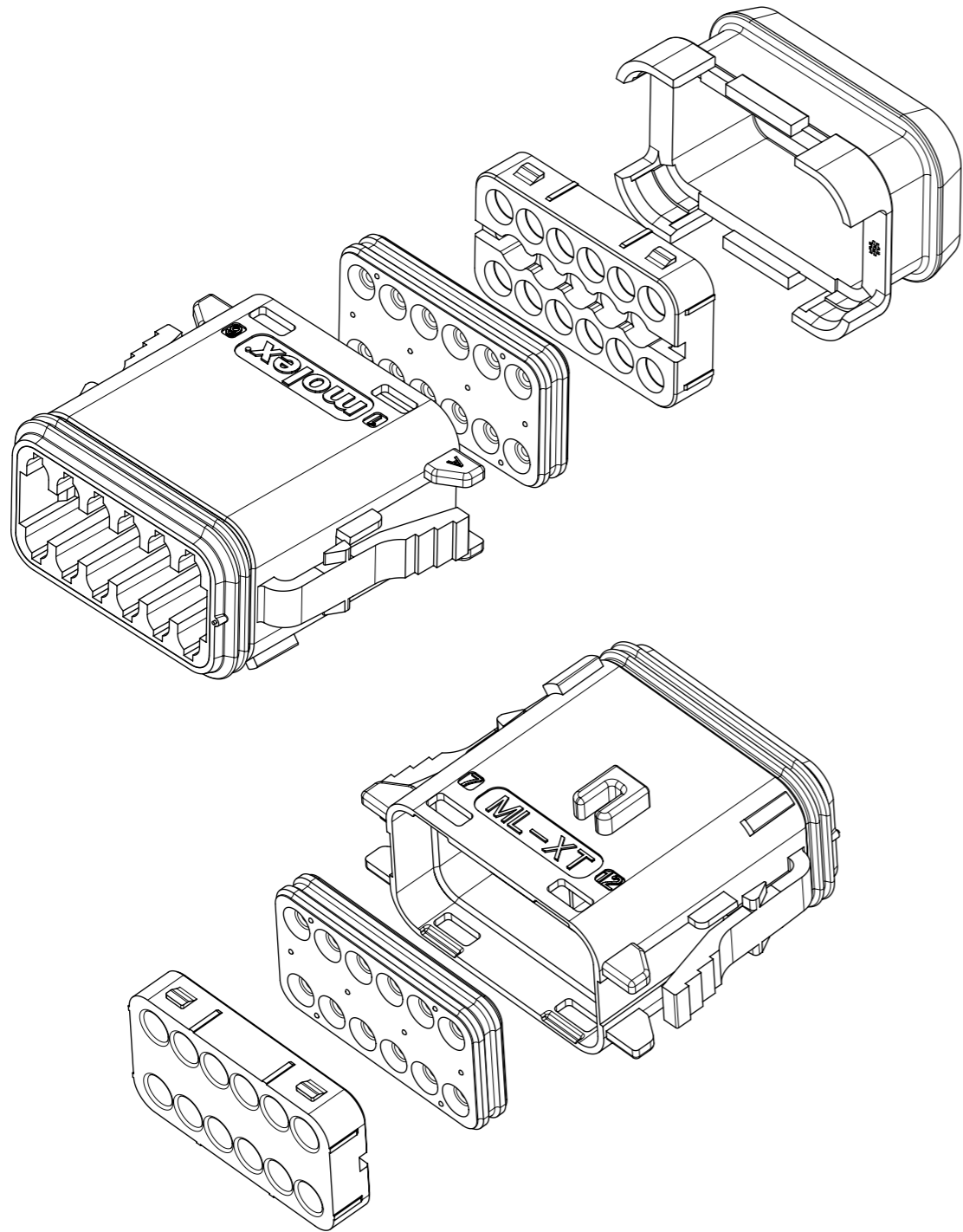


PRE-RELEASE
 REFERENCE
 USE ONLY

NOTES

- MATERIAL
 HOUSING: NYLON 30% GLASS FILL
 PLUG SEAL: SILICONE
 BACK SEAL: HIGH CONSISTENCY RUBBER
 - CIRCUIT IDENTIFICATION
 - JACKET RANGE LARGE = \varnothing 2.23mm TO 3.68mm (SEAL COLOUR: LIGHT BLUE)
 JACKET RANGE SMALL = \varnothing 1.20mm TO 3.05mm (SEAL COLOUR: BURNT ORANGE)
 - SEE SHEET 7 FOR FINAL PART NUMBER DESIGNATION
 - SEE 934430010 PSP FOR PRODUCT SPECIFICATION
 - SEE 934430002 PS K FOR PACKAGING SPECIFICATION
- INSPECTION NUMBERS 101-150 RESERVED FOR SHEET 6
 LAST INSPECTION NUMBER 106

SYMBOLS		THIS DRAWING CONTAINS INFORMATION THAT IS PROPRIETARY TO MOLEX ELECTRONIC TECHNOLOGIES, LLC AND SHOULD NOT BE USED WITHOUT WRITTEN PERMISSION		CURRENT REV DESC: SEE LONG TEXT		molex	
$\nabla = 0$	mm	SCALE	1:1	GENERAL TOLERANCES (UNLESS SPECIFIED)			
$\nabla = 0$	4 PLACES	ANGULAR TOL \pm 2.0°		EC NO: 619923		PRODUCT CUSTOMER DRAWING	
$\nabla = 0$	3 PLACES	INITIAL REVISION:		DRWN: JFLETCHER 2019/07/01		DOCUMENT NUMBER	
$\nabla = 0$	2 PLACES	DRWN: JFLETCHER 2015/12/16		CHK'D: IOCONNELL 2019/08/15		DOC TYPE DOC PART REVISION	
$\nabla = 0$	1 PLACE	APPR: JDWALLACE 2016/01/14		APPR: JDWALLACE 2016/01/14		934430060 PSD 000 C3	
$\nabla = 0$	0 PLACES	DRAFT WHERE APPLICABLE MUST REMAIN WITHIN DIMENSIONS		THIRD ANGLE PROJECTION		MATERIAL NUMBER CUSTOMER SHEET NUMBER	
$\nabla = 0$				DRAWING SERIES		SEE CHART GENERAL MARKET 6 OF 9	
				A3-SIZE 93443			



12CCT PLUG CONNECTOR

SERIES NO.

93445

CIRCUIT SIZE
6 = 12CCT

6

ASSEMBLY OPTIONS

- 1 = PLUG ASSEMBLY FOR WIRE JACKET RANGE \varnothing 1.20mm - 3.05mm
- 2 = PLUG ASSEMBLY FOR WIRE JACKET RANGE \varnothing 2.23mm - 3.68mm
- 5 = PLUG ASSEMBLY & HEATSHRINK FOR WIRE JACKET RANGE \varnothing 1.20mm - 3.05mm
- 6 = PLUG ASSEMBLY & HEATSHRINK FOR WIRE JACKET RANGE \varnothing 2.23mm - 3.68mm

KEYING / COLOUR OPTION

- 12 = KEYING OPTION A (GREY)
- 11 = KEYING OPTION A (BLACK)
- 21 = KEYING OPTION B (BLACK)
- 33 = KEYING OPTION C (GREEN)
- 47 = KEYING OPTION D (BROWN)
- 52 = KEYING OPTION E (GREY)

EXAMPLE:

12CCT PLUG & HEATSHRINK FOR WIRE JACKET RANGE \varnothing 1.20mm-3.05mm, KEYING OPTION A (GREY): 93445-6512

NOTES

1. SEE SHEET 6 FOR UNSPECIFIED NOTES AND DIMENSIONS
2. BACK COVER COLOUR: BLACK
3. HEATSHRINK HOUSING COLOUR: BLACK

PRE-RELEASE
REFERENCE
USE ONLY

SYMBOLS	THIS DRAWING CONTAINS INFORMATION THAT IS PROPRIETARY TO MOLEX ELECTRONIC TECHNOLOGIES, LLC AND SHOULD NOT BE USED WITHOUT WRITTEN PERMISSION		CURRENT REV DESC: SEE LONG TEXT			molex			
	DIMENSION UNITS	SCALE							12CCT ML-XT CV CONNECTOR SYSTEM
	$\nabla = 0$	mm	1:1	GENERAL TOLERANCES (UNLESS SPECIFIED)			PRODUCT CUSTOMER DRAWING		
	$\nabla = 0$	ANGULAR TOL $\pm 2.0^\circ$		EC NO: 619923			DOCUMENT NUMBER		
$\nabla = 0$	4 PLACES \pm		DRWN: JFLETCHER 2019/07/01			DOC TYPE			
$\nabla = 0$	3 PLACES \pm		CHK'D: IOCONNELL 2019/08/15			DOC PART			
$\nabla = 0$	2 PLACES ± 0.1		APPR:			REVISION			
$\nabla = 0$	1 PLACE ± 0.2		INITIAL REVISION:			934430060			
$\nabla = 0$	0 PLACES \pm		DRWN: JFLETCHER 2015/12/16			PSD			
$\nabla = 0$	DRAFT WHERE APPLICABLE MUST REMAIN WITHIN DIMENSIONS		APPR: JDWALLACE 2016/01/14			000			
$\nabla = 0$	THIRD ANGLE PROJECTION		DRAWING			C3			
$\nabla = 0$	A3-SIZE		SERIES			7 OF 9			
	SEE CHART		MATERIAL NUMBER			GENERAL MARKET			
	GENERAL MARKET		CUSTOMER						

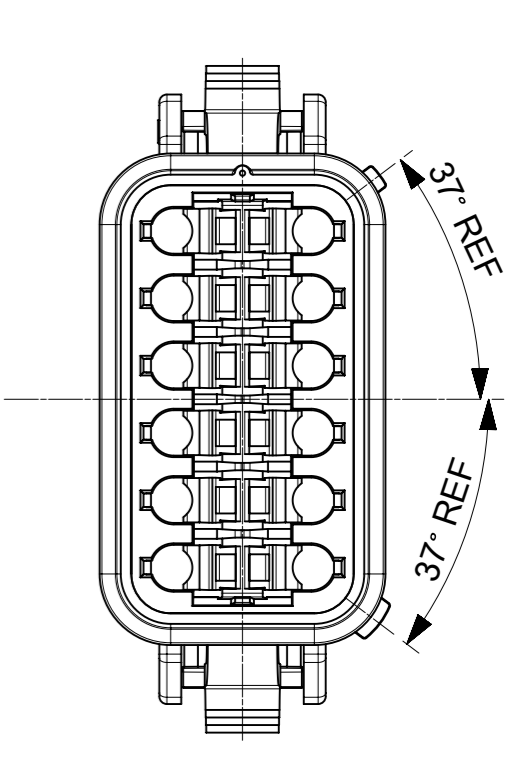
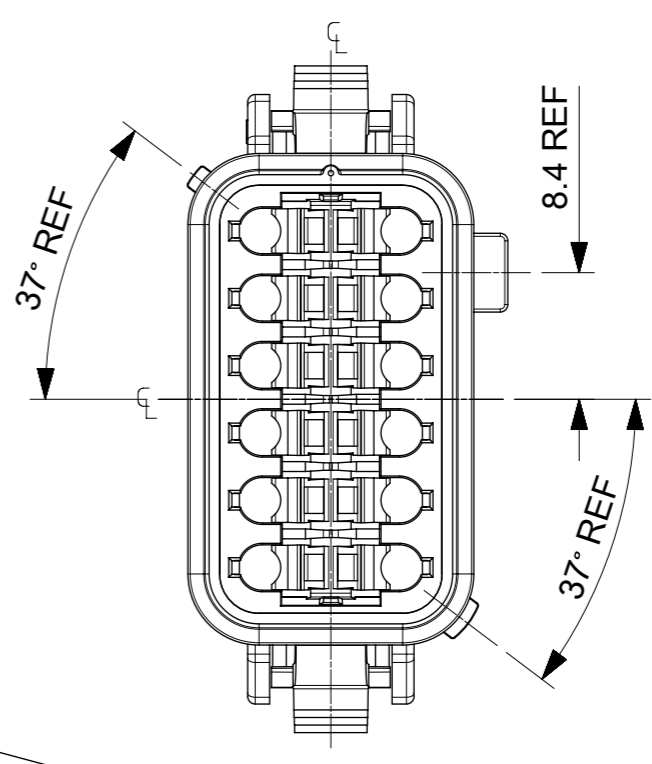
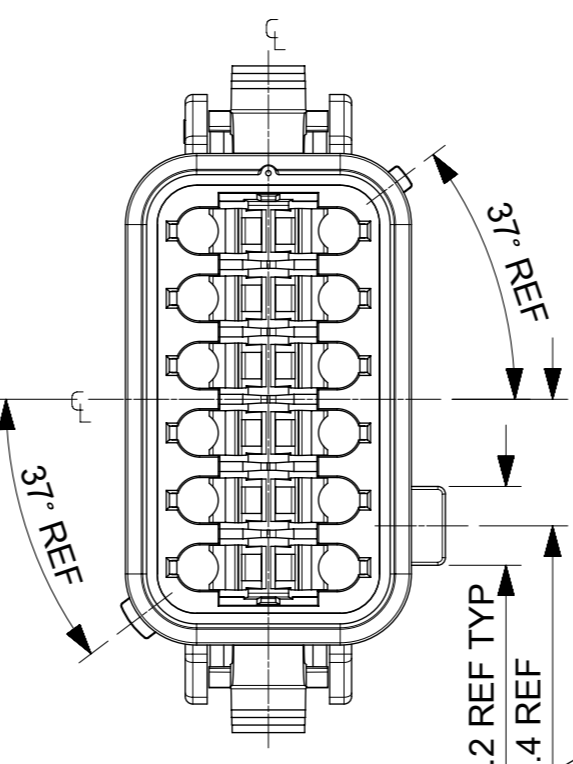
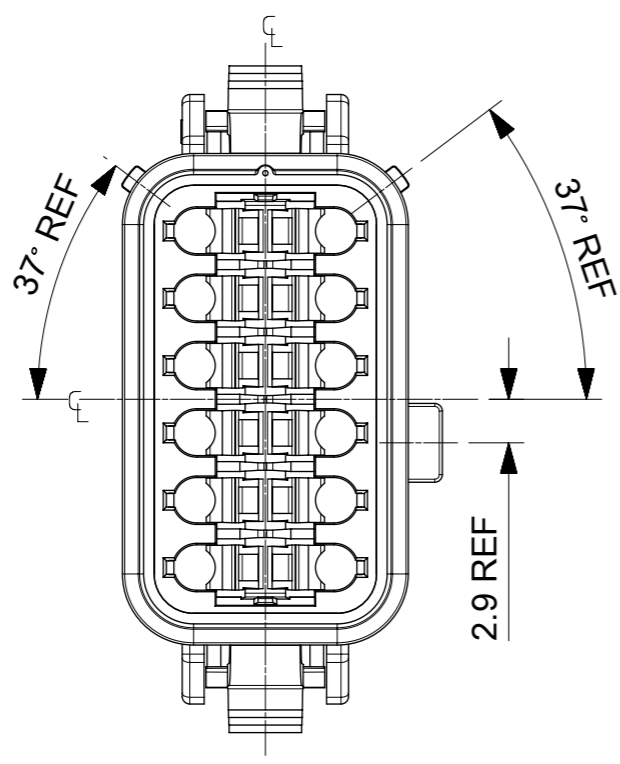
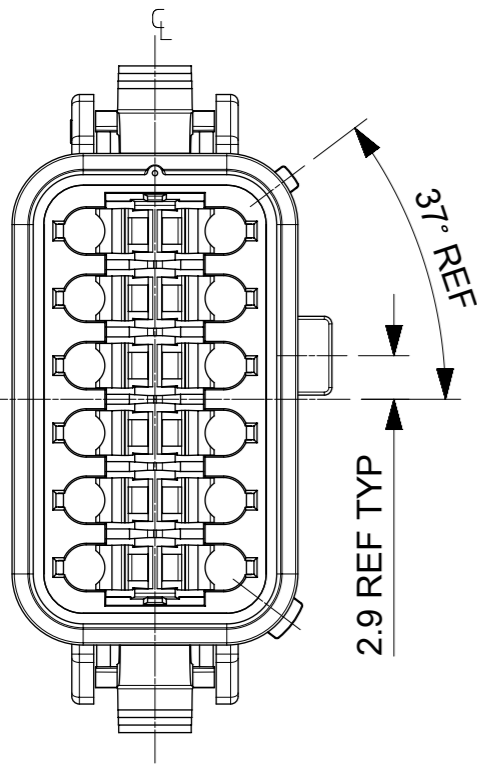
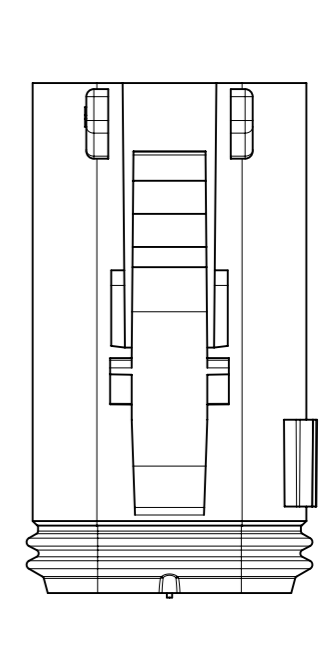
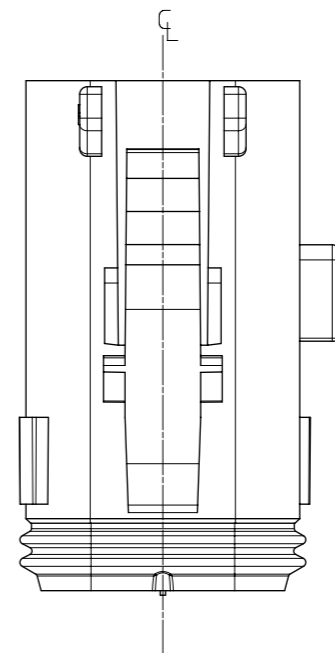
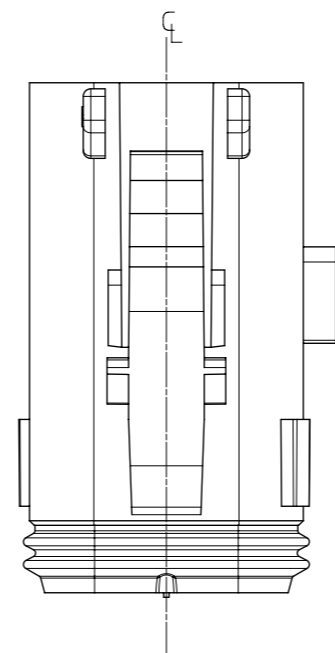
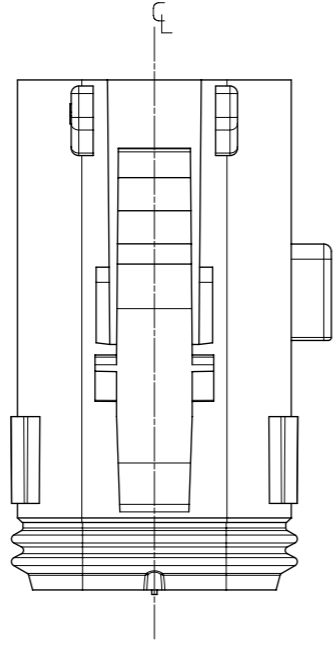
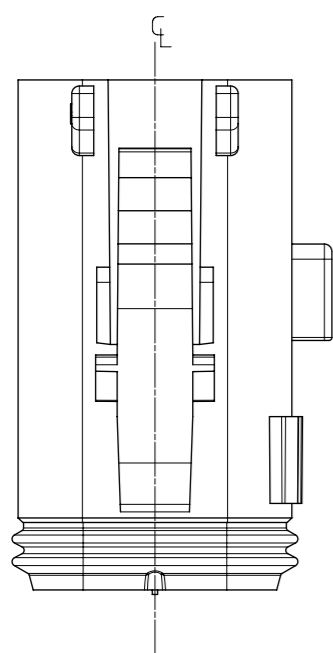
KEYING OPTION A

KEYING OPTION B

KEYING OPTION C

KEYING OPTION D

KEYING OPTION E

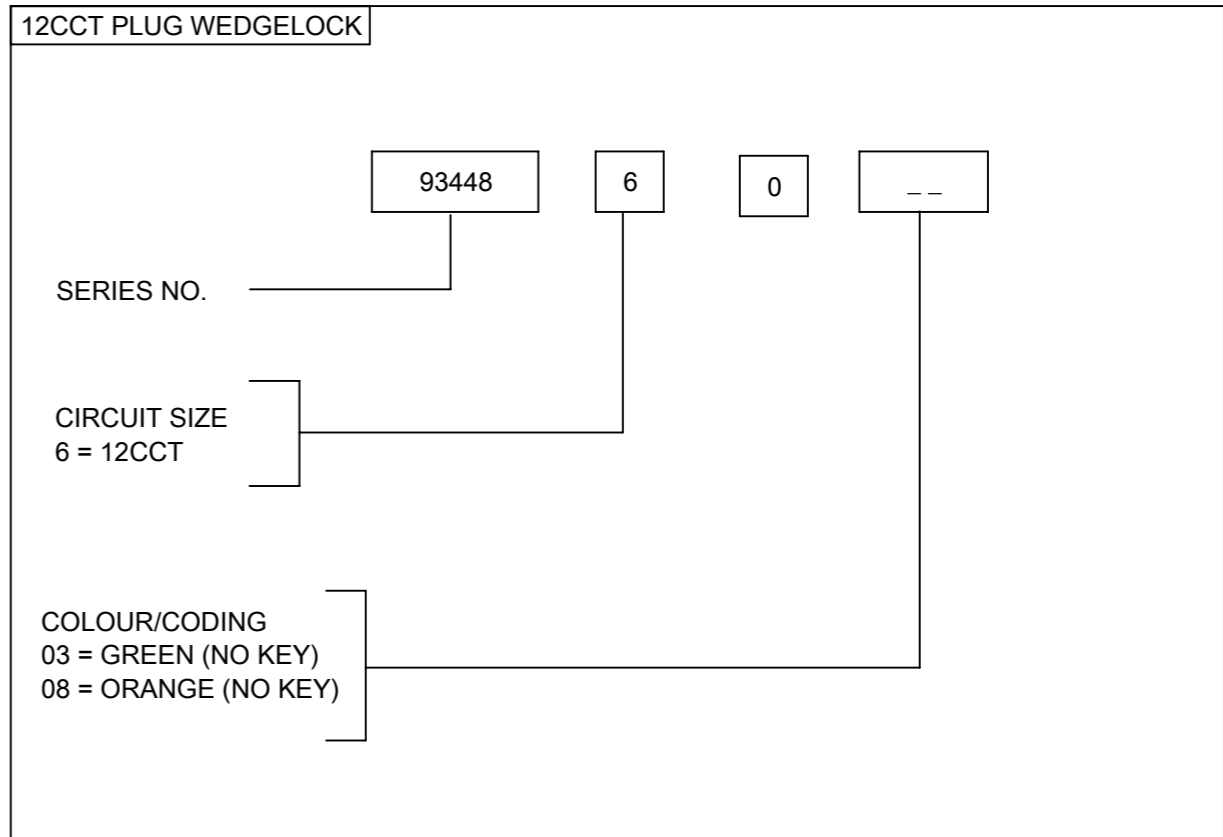
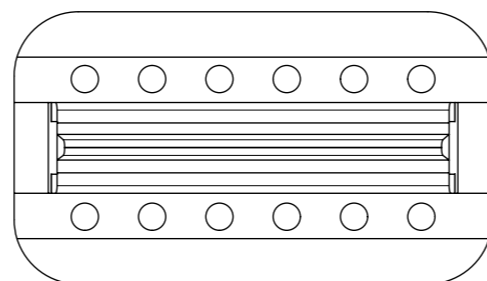
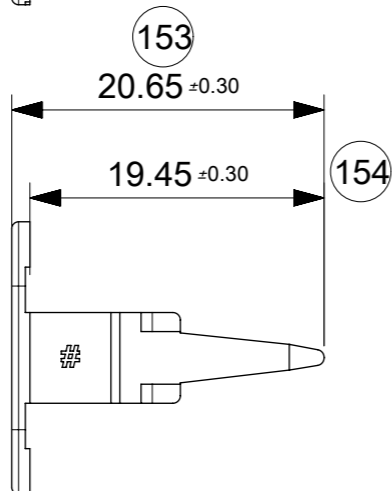
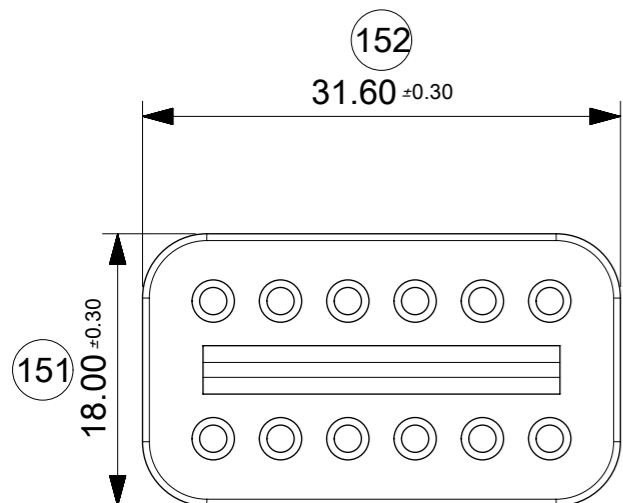
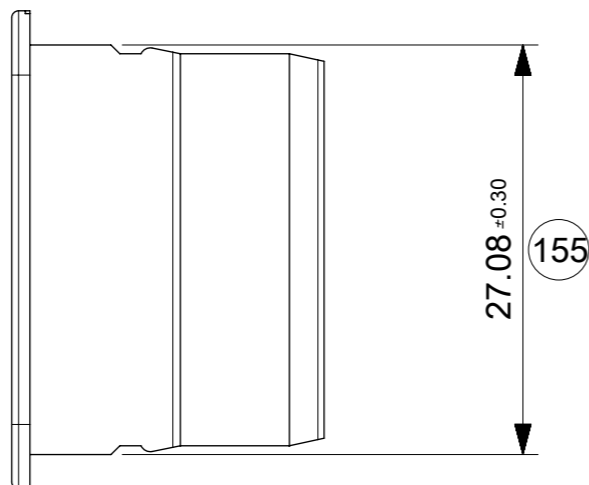
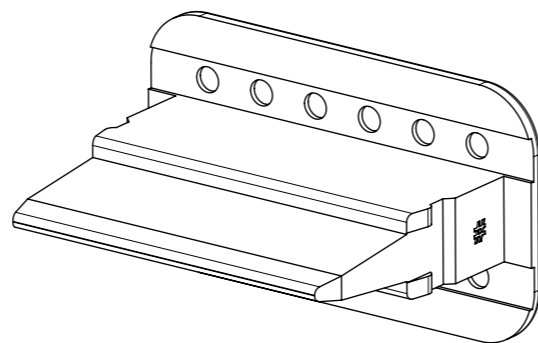
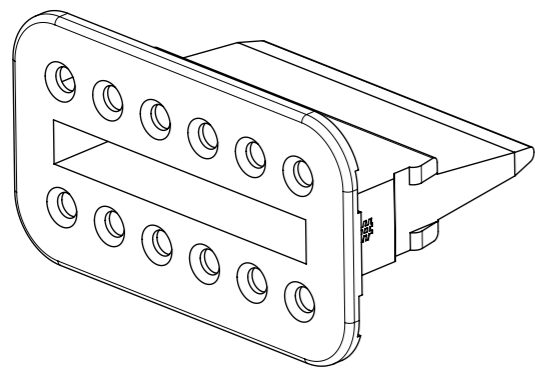


PRE-RELEASE
REFERENCE
USE ONLY

NOTES
1. SEE SHEETS 6 & 7 FOR UNSPECIFIED NOTES AND DIMENSIONS

SYMBOLS		THIS DRAWING CONTAINS INFORMATION THAT IS PROPRIETARY TO MOLEX ELECTRONIC TECHNOLOGIES, LLC AND SHOULD NOT BE USED WITHOUT WRITTEN PERMISSION	
▽ = 0	mm	SCALE	2:1
▽ = 0	GENERAL TOLERANCES (UNLESS SPECIFIED)		
▽ = 0	ANGULAR TOL ± 2.0°		
▽ = 0	4 PLACES	CURRENT REV DESC: SEE LONG TEXT	
▽ = 0	3 PLACES	EC NO: 619923	
▽ = 0	2 PLACES	DRWN: JFLETCHER 2019/07/01	
▽ = 0	1 PLACE	CHK'D: IOCONNELL 2019/08/15	
▽ = 0	0 PLACES	APPR:	
⊠ = 0	INITIAL REVISION:		
■ = 0	DRWN: JFLETCHER 2015/12/16		
▽ = 0	APPR: JDWALLACE 2016/01/14		
DRAFT WHERE APPLICABLE MUST REMAIN WITHIN DIMENSIONS		THIRD ANGLE PROJECTION	DRAWING
			A3-SIZE
		SERIES	93443
		MATERIAL NUMBER	SEE CHART
		CUSTOMER	GENERAL MARKET
		DOCUMENT NUMBER	934430060
		DOC TYPE	PSD
		DOC PART	000
		REVISION	C3
		SHEET NUMBER	8 OF 9

DOCUMENT STATUS	RV	RELEASE DATE
-----------------	----	--------------



PRE-RELEASE
REFERENCE
USE ONLY

NOTES
1. MATERIAL
HOUSING: NYLON 30% GLASS FILL

INSPECTION NUMBERS 151-200 RESERVED FOR SHEET 9
LAST INSPECTION NUMBER 155

SYMBOLS			THIS DRAWING CONTAINS INFORMATION THAT IS PROPRIETARY TO MOLEX ELECTRONIC TECHNOLOGIES, LLC AND SHOULD NOT BE USED WITHOUT WRITTEN PERMISSION		
▽ = 0	mm	SCALE 2:1	CURRENT REV DESC: SEE LONG TEXT		
▽ = 0	GENERAL TOLERANCES (UNLESS SPECIFIED)		EC NO: 619923 DRWN: JFLETCHER 2019/07/01 CHK'D: IOCONNELL 2019/08/15 APPR:		
▽ = 0	ANGULAR TOL ± 2.0°				
▽ = 0	4 PLACES ±	INITIAL REVISION:	DOCUMENT NUMBER 934430060 DOC TYPE PSD DOC PART 000 REVISION C3		
▽ = 0	3 PLACES ±				
▽ = 0	2 PLACES ± 0.1	DRWN: JFLETCHER 2015/12/16	MATERIAL NUMBER 93443 SEE CHART CUSTOMER GENERAL MARKET SHEET NUMBER 9 OF 9		
▽ = 0	1 PLACE ± 0.2	APPR: JDWALLACE 2016/01/14			
▽ = 0	0 PLACES ±	DRAFT WHERE APPLICABLE MUST REMAIN WITHIN DIMENSIONS	THIRD ANGLE PROJECTION		
▽ = 0			DRAWING A3-SIZE	SERIES 93443	

DOCUMENT STATUS	RV	RELEASE DATE
-----------------	----	--------------