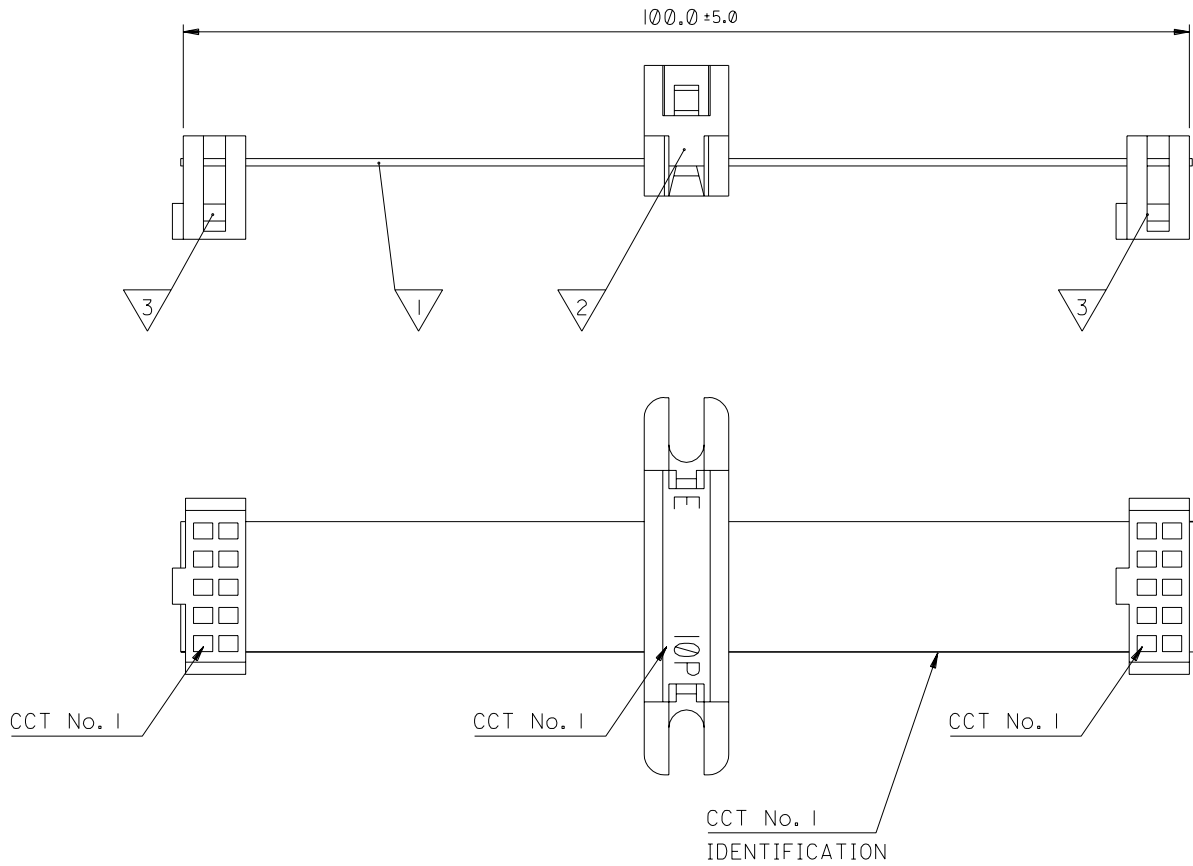


92301-0173
SD-92301-314



ITEM	COMPONENT	DESCRIPTION	QTY	NOTE
1	99026-0025	10CCT, 28AWG STRANDED 1.27mm, RIBBON CABLE	1	1
2	90848-0395	10CKT IDC PLUG CONNECTOR WESTFIELD P/N 3067-10E	1	
3	39-51-2103	10 CCT QF-50 DUAL ROW CABLE RECEPTACLE	2	

NOTES:
1. SEE CABLE SPECIFICATION, ES-99027-0006
2. HARNESSES TO BE 100% ELECTRICALLY TESTED

ORIGINAL RELEASE 2000-0983 D.RYAN 000413	REVISIONS LTR	THIRD ANGLE PROJECTION		REVISE ONLY ON CAD SYSTEM		SH.	REV.												
		DIMENSIONS METRIC UNLESS STATED		CAD/CAM FILENAME		THIS DRAWING CONTAINS INFORMATION THAT IS PROPRIETARY TO MOLEX INC. & SHOULD NOT BE USED WITHOUT WRITTEN PERMISSION													
		<table border="1"> <tr> <th>INCH</th> <th>(METRIC)</th> </tr> <tr> <td>4 PLACE ±</td> <td>±</td> </tr> <tr> <td>3 PLACE ±</td> <td>±</td> </tr> <tr> <td>2 PLACE ±</td> <td>±</td> </tr> <tr> <td>1 PLACE ±</td> <td>±</td> </tr> </table>		INCH	(METRIC)	4 PLACE ±	±	3 PLACE ±	±	2 PLACE ±	±	1 PLACE ±	±	DRWG BY: D.RYAN CHK'D BY: BENRIGHT APP'D BY: MWILHITE DATE: 00/04/13		TITLE: QF50 10CKT RIBBON CABLE HARNESS		PART NO.	
		INCH	(METRIC)																
4 PLACE ±	±																		
3 PLACE ±	±																		
2 PLACE ±	±																		
1 PLACE ±	±																		
SCALE: 2:1		MOLEX SHANNON		TOOL NO. SD-92301-314		SHT 1 OF 1													
MARK ALL DETAILS WITH DETAIL NR. ON NOT-CRITICAL SURFACE OF BLOCK						SIZE A3													