

MATERIALS AND FINISHES

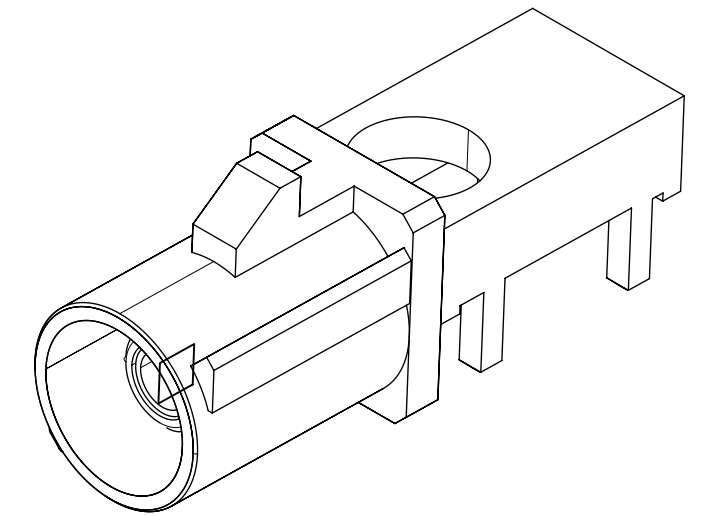
BODY, ZINC ALLOY/BRASS
PLATED TIN

CENTER CONTACT, BRASS
PLATED GOLD

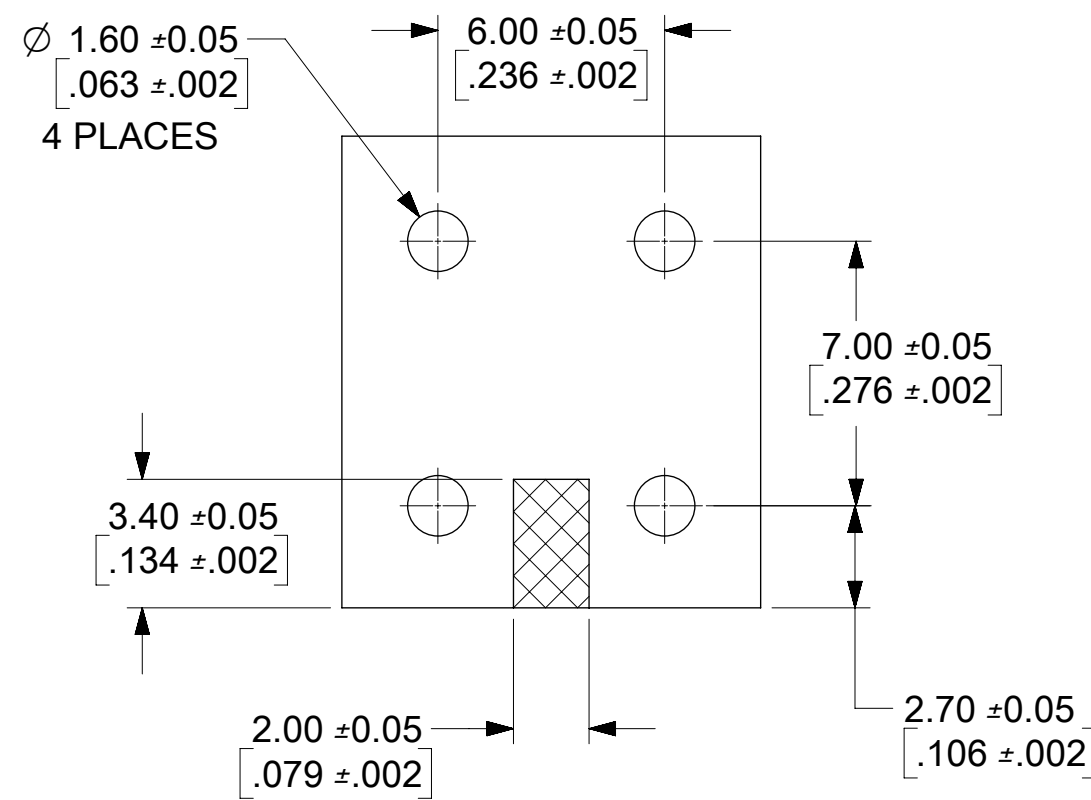
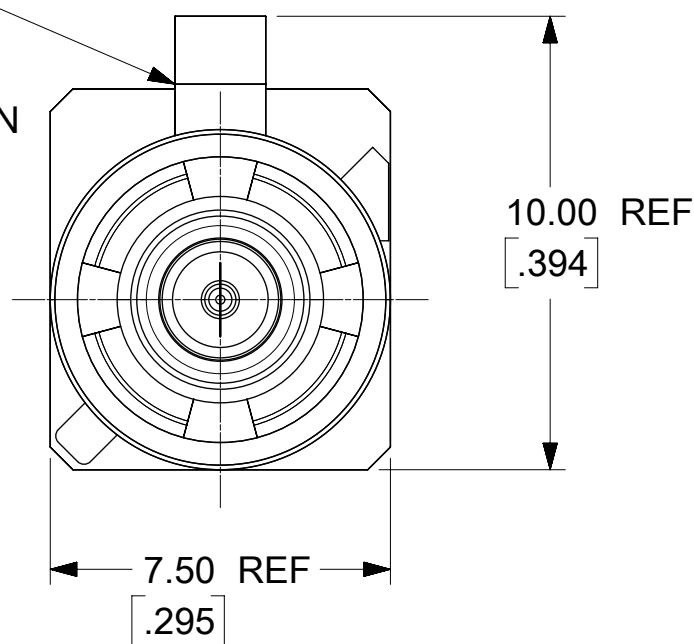
OUTER CASING, HIGH TEMPERATURE PLASTIC
KEYING SEE TABLE
COLOR SEE TABLE

INSULATOR, TEFLON

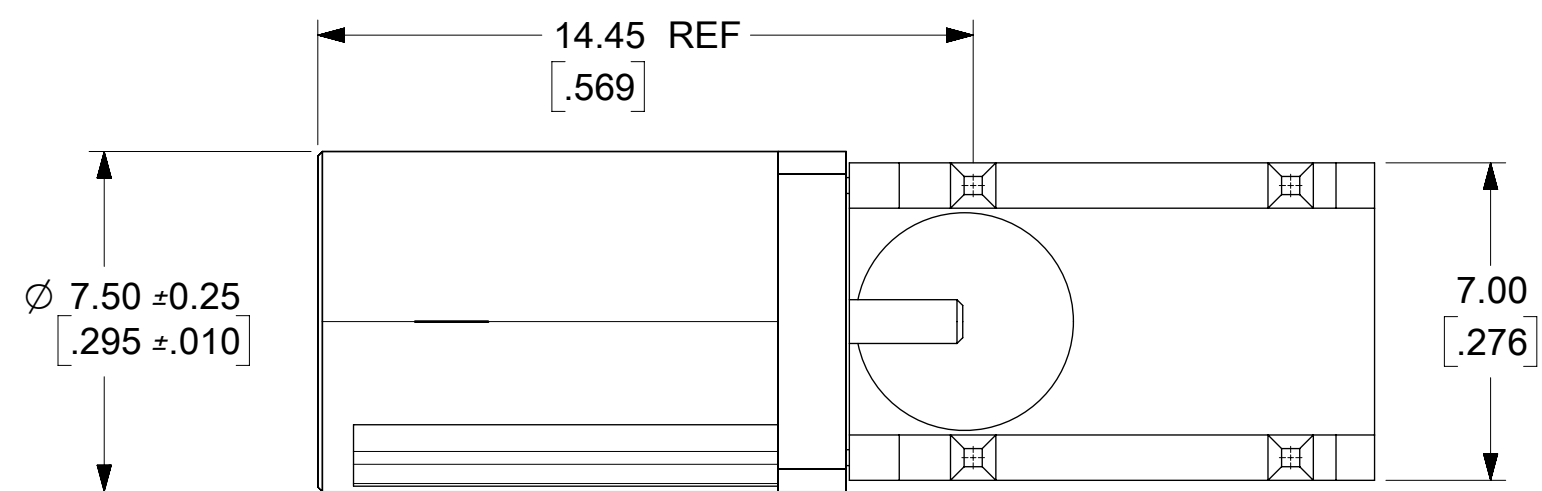
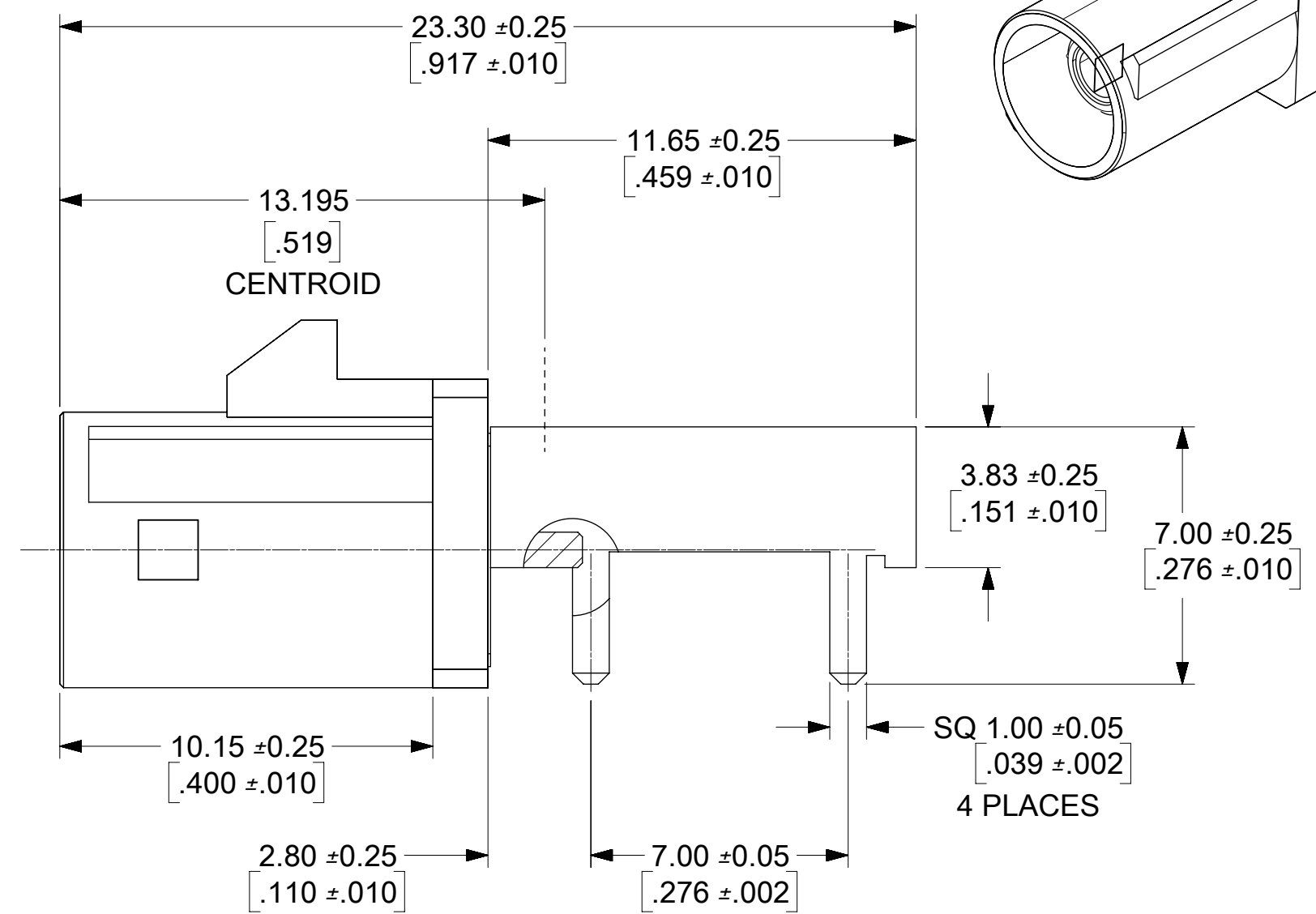
PACKAGING BY TAPE AND REEL



FAKRA
CONNECTOR
KEYING
CODE I SHOWN



PCB RECOMMENDED LAYOUT



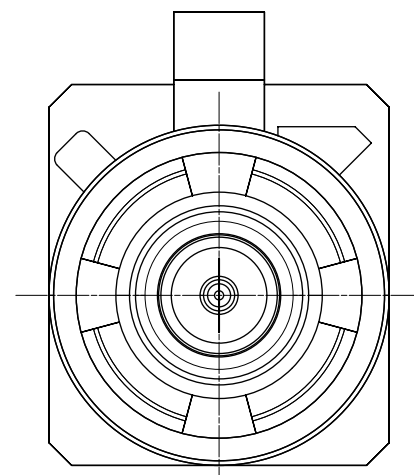
EST. WEIGHT (g): 2.052

PS-89675-3310	PRODUCT SPECIFICATION
DIN 72594-1	INTERFACE SPECIFICATION
SPECIFICATION	DESCRIPTION

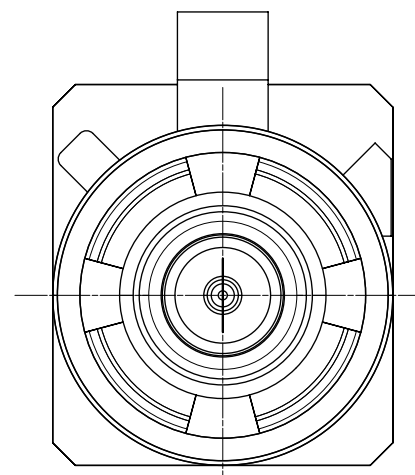
2017/11/01	A3	TYP0 2.70 WAS 2.30 PER 11522-A
2017/09/04	A2	MIGRATION TO ECTR/NX
DATE	REV.	DESCRIPTION

QUALITY SYMBOLS ▽ = 0 ▽ = 0 ▽ = 0 ▼ = 0 ▽ = 0 ⊠ = 0 ■ = 0 ▽ = 0	THIS DRAWING CONTAINS INFORMATION THAT IS PROPRIETARY TO MOLEX ELECTRONIC TECHNOLOGIES, LLC AND SHOULD NOT BE USED WITHOUT WRITTEN PERMISSION	MIGRATED TO ECTR/NX 2017/11/08 EC NO: 167544 DRWN: ELIN CHKD: YCHENG REV / APPR: YCHENG	GENERAL TOLERANCES (UNLESS SPECIFIED)	DIMENSION UNITS	SCALE	molex
			ANGULAR TOL ± 2.0 °	MM/IN	NTS	
4 PLACES ±			DRWN BY	DATE	ELIN	2012/06/26
3 PLACES ±			CHKD BY	DATE	KERRIE	2012/06/26
2 PLACES ±			APPR BY	DATE	YCHENG	2014/07/17
1 PLACE ±			DRAWING SIZE	THIRD ANGLE PROJECTION	C	
0 PLACES ±			DRAFT WHERE APPLICABLE MUST REMAIN WITHIN DIMENSIONS			
			SERIES	MATERIAL NUMBER	CUSTOMER	73403 SEE TABLE GENERAL MARKET
			DOCUMENT NUMBER	DOC TYPE	DOC PART	SHEET NUMBER
			SD-73403-608	PSD	001	1 OF 5

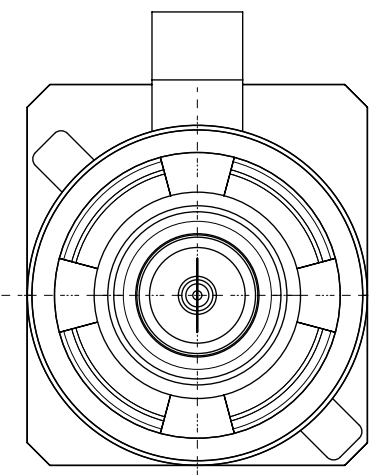
N	PASTEL GREEN	73403-6093
M	PASTEL ORANGE	73403-6092
L	CARMINE RED	73403-6091
Z	WATER BLUE	73403-6090
K	CURRY YELLOW	73403-6089
I	BEIGE	73403-6088
H	VIOLET	73403-6087
G	GRAY	73403-6086
F	BROWN	73403-6085
E	GREEN	73403-6084
D	BORDEAUXVIOLET	73403-6083
C	BLUE	73403-6082
B	NATURAL	73403-6081
A	BLACK	73403-6080
KEYING CODE	COLOR	PART NO.



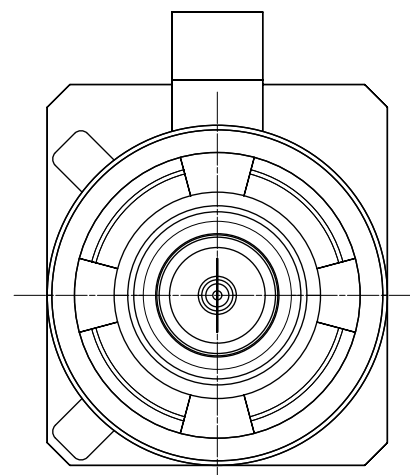
CODE-A



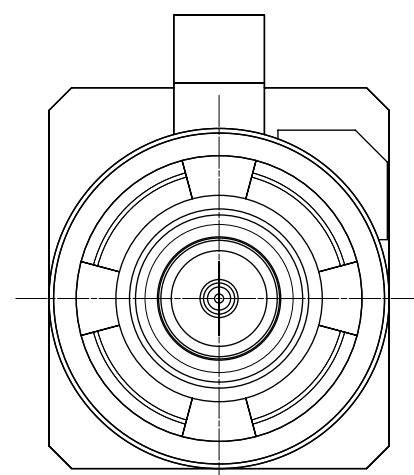
CODE-B



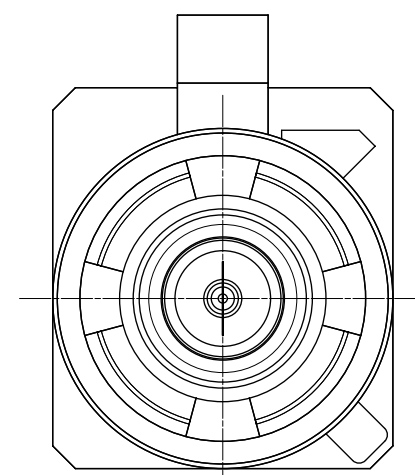
CODE-C



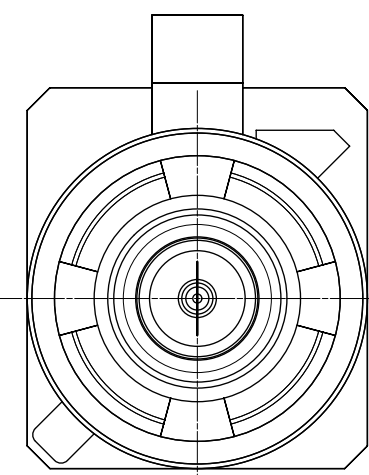
CODE-D



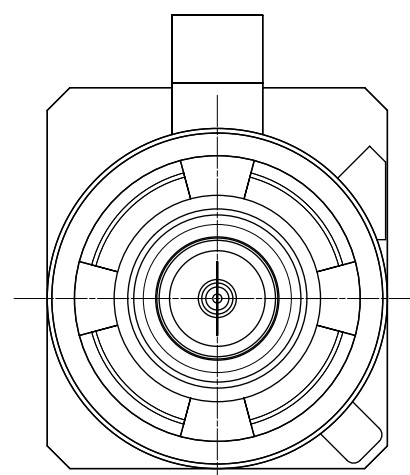
CODE-E



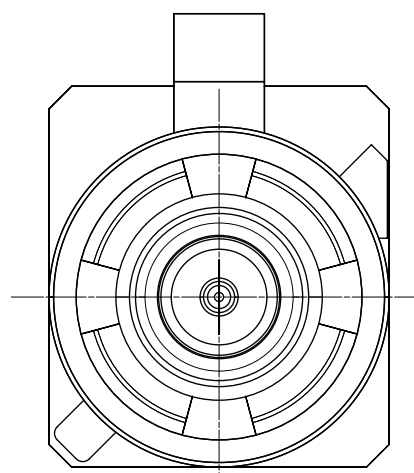
CODE-F



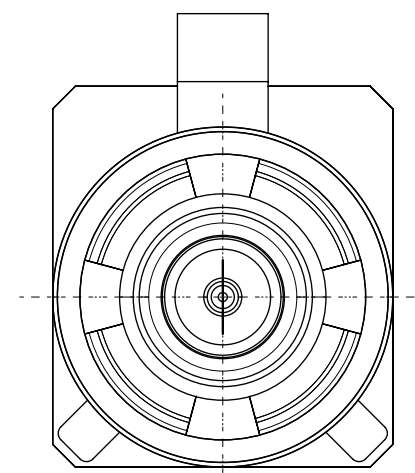
CODE-G



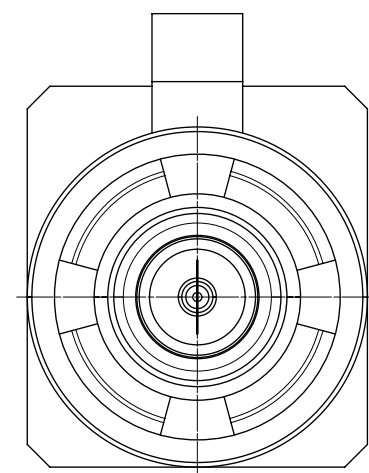
CODE-H



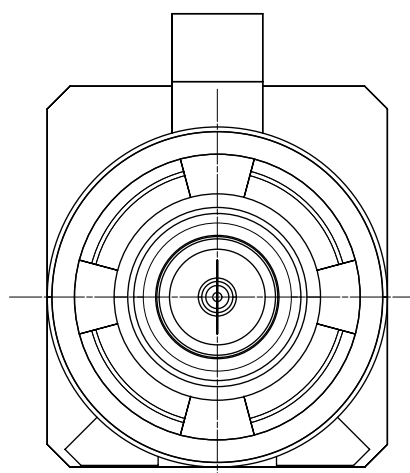
CODE-I



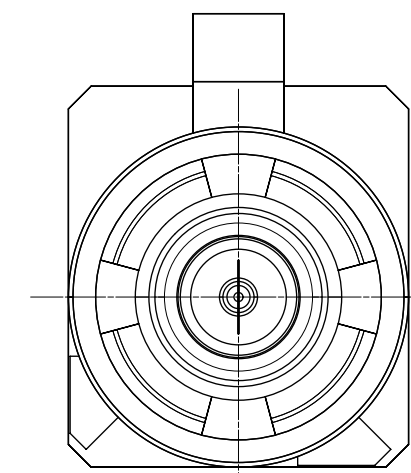
CODE-K



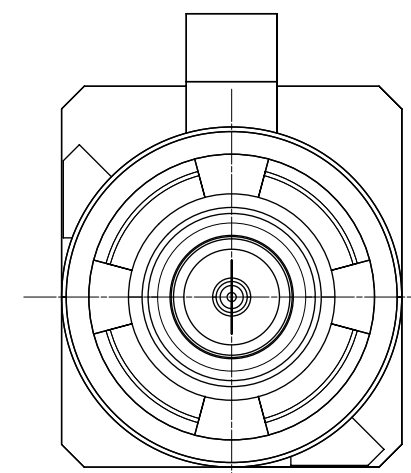
CODE-Z



CODE-L



CODE-M



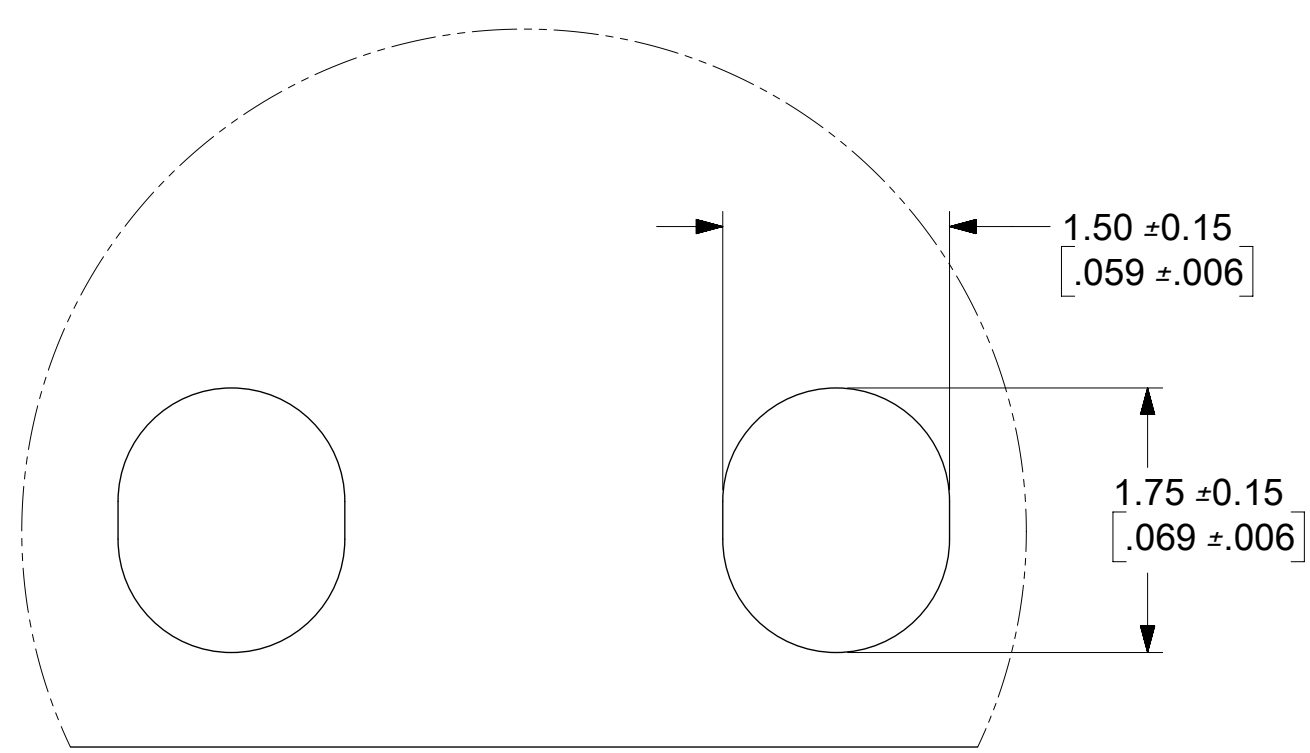
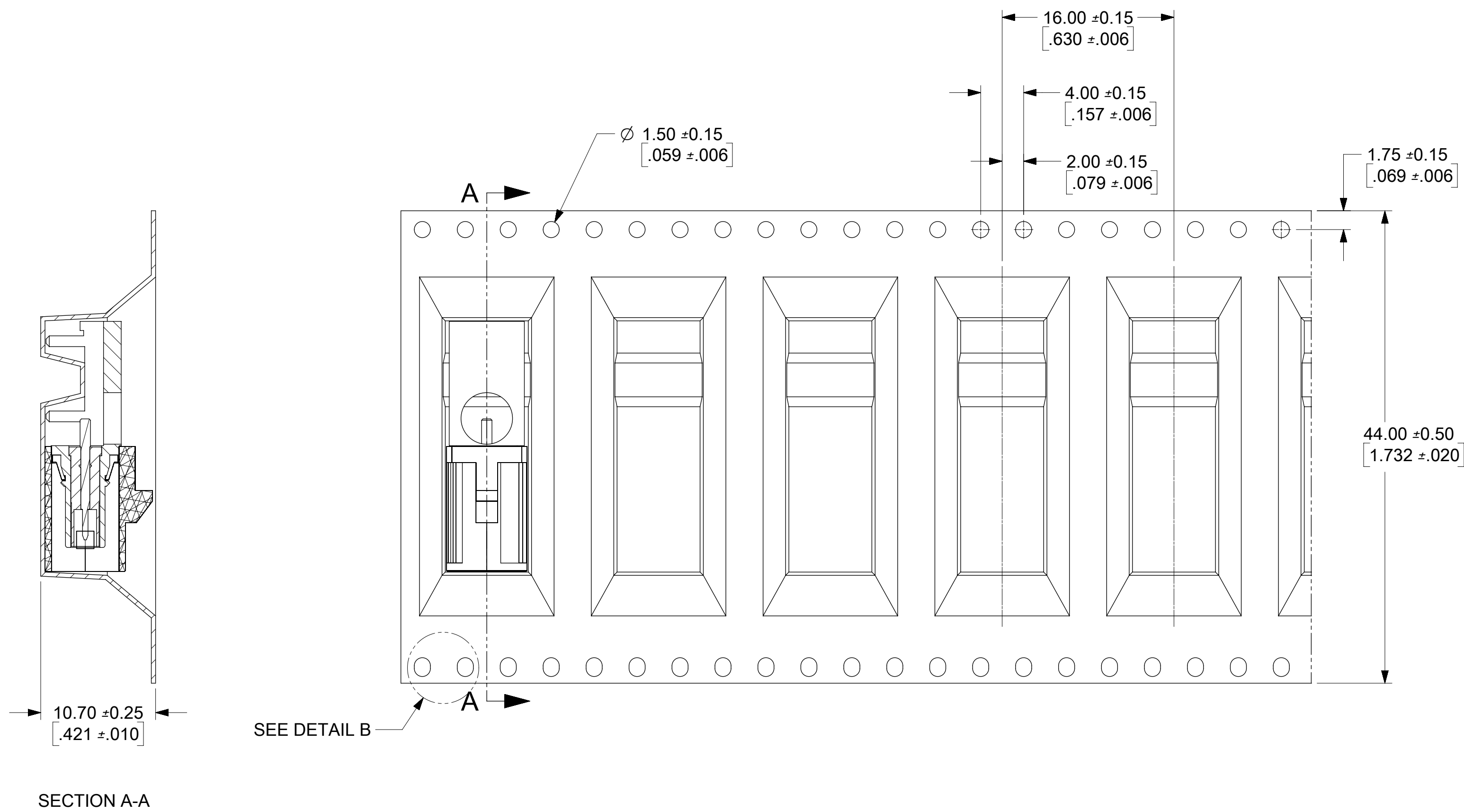
CODE-N

QUALITY SYMBOLS ▽ = 0 ▽ = 0 ▽ = 0 ▼ = 0 ▽ = 0 ⊠ = 0 ■ = 0 ▽ = 0	THIS DRAWING CONTAINS INFORMATION THAT IS PROPRIETARY TO MOLEX ELECTRONIC TECHNOLOGIES, LLC AND SHOULD NOT BE USED WITHOUT WRITTEN PERMISSION											
	MIGRATED TO ECTRIX EC NO: 167544 DRWN: ELIN CHKD: ELIN				2017/1/08		2017/1/15		GENERAL TOLERANCES (UNLESS SPECIFIED)		DIMENSION UNITS	
	4 PLACES ±				ANGULAR TOL ± 2.0 °		MM/IN		SCALE		NTS	
	3 PLACES ±						DRWN BY		DATE		ELIN 2012/06/26	
	2 PLACES ±						CHKD BY		DATE		KERRIE 2012/06/26	
	1 PLACE ±						APPR BY		DATE		YCHENG 2014/07/17	
	0 PLACES ±						DRAWING SIZE		THIRD ANGLE PROJECTION		C	
	DRAFT WHERE APPLICABLE MUST REMAIN WITHIN DIMENSIONS											
	A3											

molex
SMB JACK FAKRA 50 OHMS
PIN IN PASTE FAKRA-J/PCB

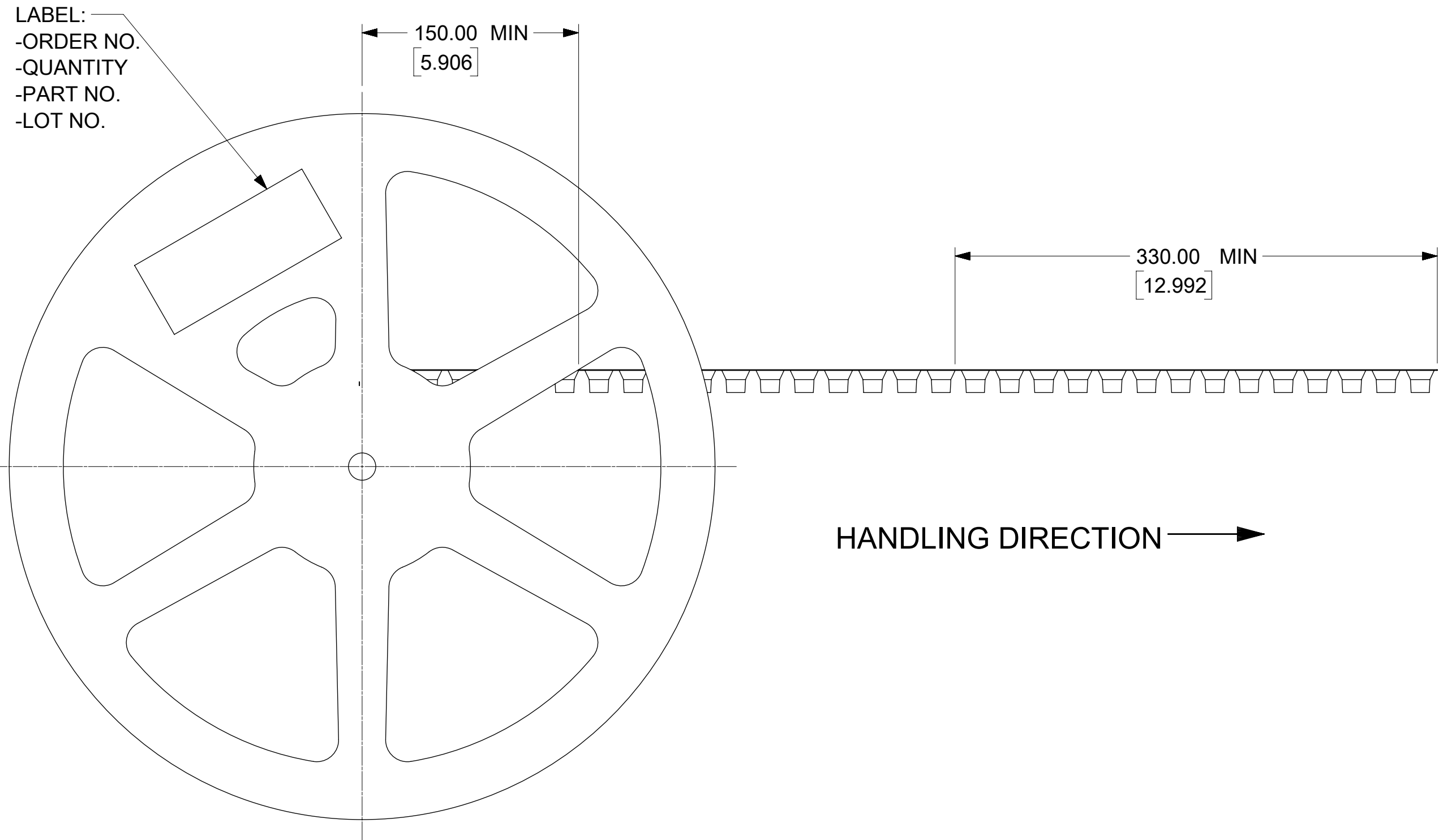
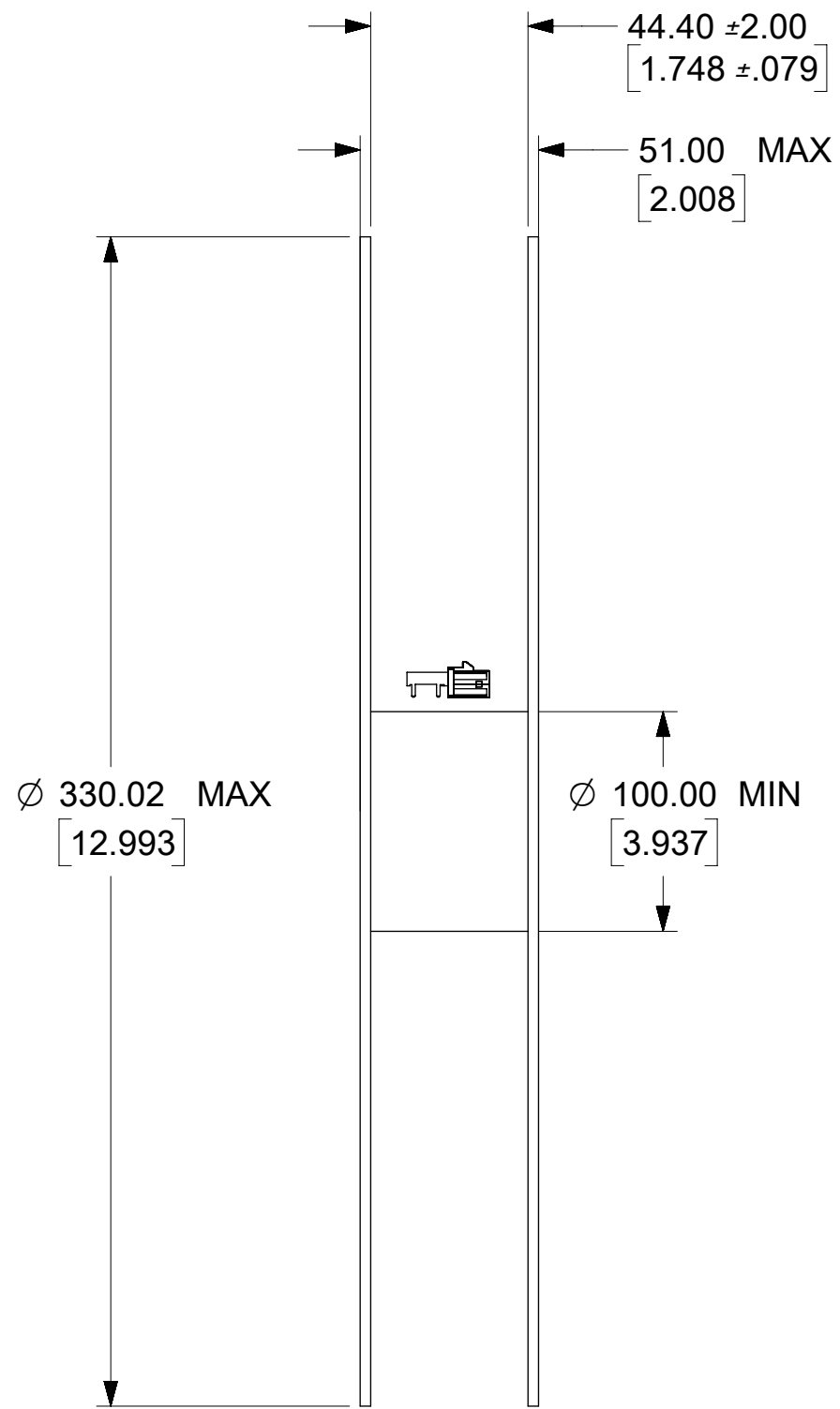
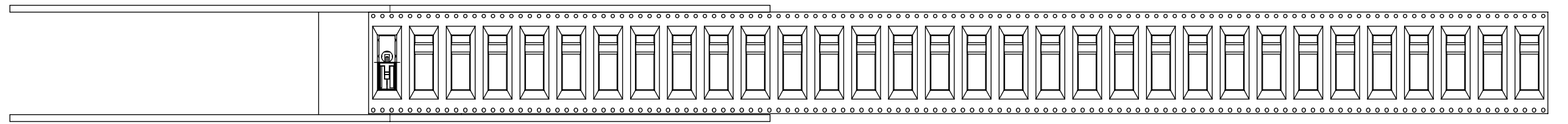
PRODUCT CUSTOMER DRAWING
SERIES: 73403 MATERIAL NUMBER: SEE TABLE CUSTOMER: GENERAL MARKET

DOCUMENT NUMBER: SD-73403-608 DOC TYPE: PSD DOC PART: 001 SHEET NUMBER: 2 OF 5

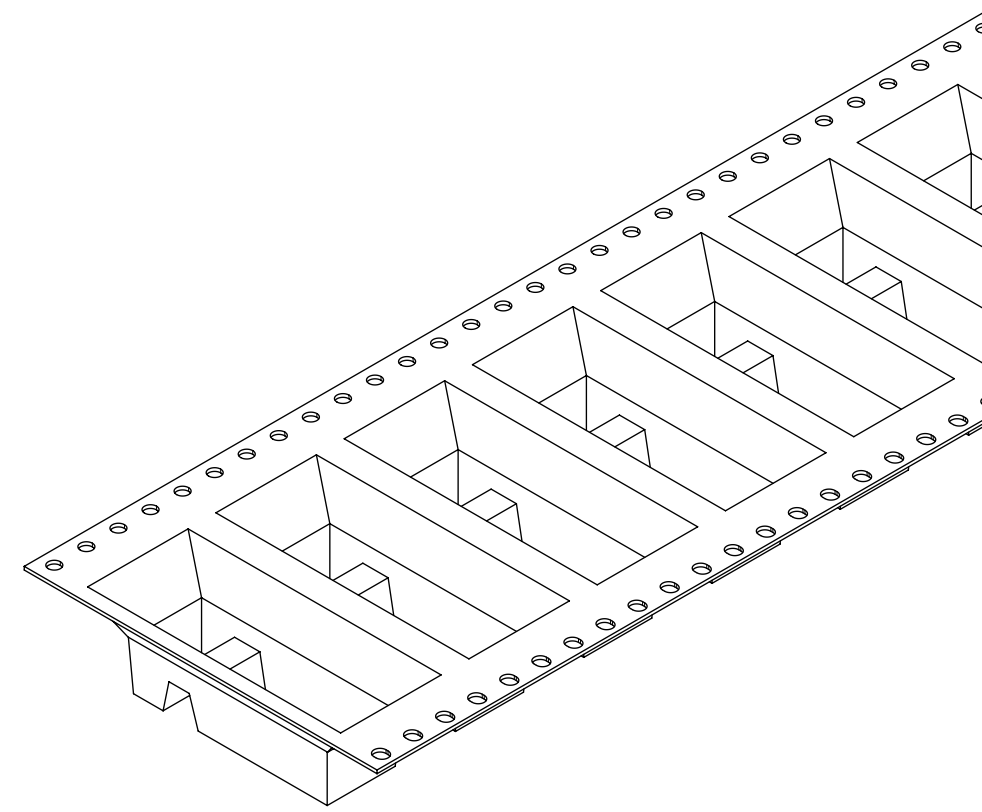
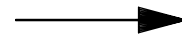
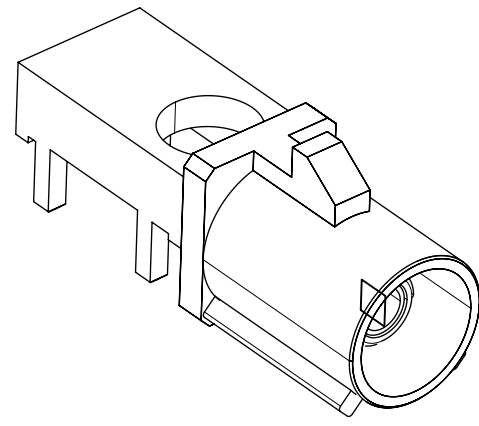


DETAIL B
SCALE 20:1

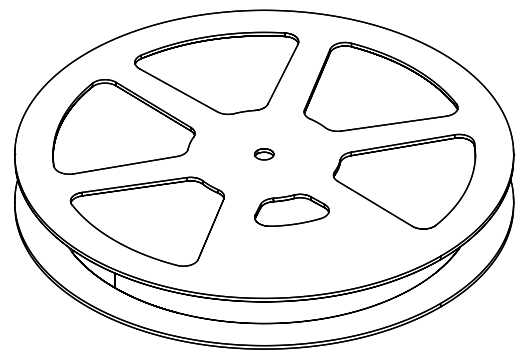
QUALITY SYMBOLS		THIS DRAWING CONTAINS INFORMATION THAT IS PROPRIETARY TO MOLEX ELECTRONIC TECHNOLOGIES, LLC AND SHOULD NOT BE USED WITHOUT WRITTEN PERMISSION									
▽ = 0	▽ = 0	MIGRATED TO ECTRIX EC NO: 167544 DRWN: ELIN CHKD: YCHENG APP: YCHENG	2017/1/08	2017/1/15	GENERAL TOLERANCES (UNLESS SPECIFIED)		DIMENSION UNITS	SCALE			
▽ = 0	▽ = 0				ANGULAR TOL ± 2.0 °		MM/IN	NTS			
▽ = 0	▽ = 0				4 PLACES ±	3 PLACES ±	DRWN BY	DATE			
▽ = 0	▽ = 0				2 PLACES ±	1 PLACE ±	ELIN	2012/06/26	SMB JACK FAKRA 50 OHMS PIN IN PASTE FAKRA-J/PCB		
▽ = 0	▽ = 0				0 PLACES ±	DRAFT WHERE APPLICABLE MUST REMAIN WITHIN DIMENSIONS	CHKD BY	DATE			
□ = 0	■ = 0				YCHENG	2014/07/17	APPR BY	DATE	SERIES	MATERIAL NUMBER	CUSTOMER
▽ = 0		A3	C	THIRD ANGLE PROJECTION	73403	SEE TABLE	GENERAL MARKET				
					DOCUMENT NUMBER	DOC TYPE	DOC PART	SHEET NUMBER			
					E-73403-608	PDD	001	3 OF 5			



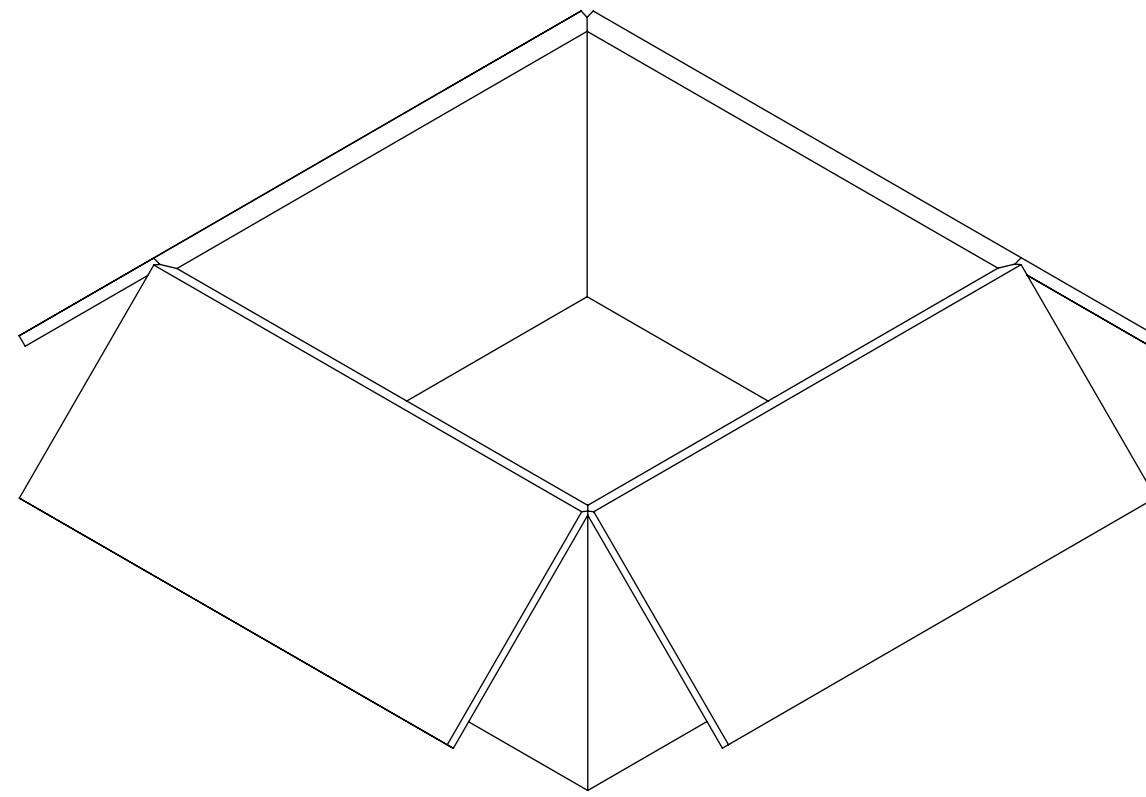
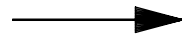
QUALITY SYMBOLS ▽ = 0 ▽ = 0 ▽ = 0 ▼ = 0 ▽ = 0 ☒ = 0 ■ = 0 ▽ = 0	THIS DRAWING CONTAINS INFORMATION THAT IS PROPRIETARY TO MOLEX ELECTRONIC TECHNOLOGIES, LLC AND SHOULD NOT BE USED WITHOUT WRITTEN PERMISSION										
	MIGRATED TO ECTRIX EC NO: 167544 DRWN: ELIN CHKD: YCHENG APPR: YCHENG	2017/1/08 2017/11/15	GENERAL TOLERANCES (UNLESS SPECIFIED)		DIMENSION UNITS	SCALE					
			ANGULAR TOL ± 2.0 °		MM/IN	NTS					
			4 PLACES ±	ELIN	DATE	2012/06/26					
			3 PLACES ±	CHKD BY	DATE	KERRIE 2012/06/26					
			2 PLACES ±	APPR BY	DATE	YCHENG 2014/07/17					
	1 PLACE ±	DRAWING SIZE		THIRD ANGLE PROJECTION		SERIES	MATERIAL NUMBER	CUSTOMER			
	0 PLACES ±	C				73403	SEE TABLE	GENERAL MARKET			
	DRAFT WHERE APPLICABLE MUST REMAIN WITHIN DIMENSIONS						DOCUMENT NUMBER	DOC TYPE	DOC PART	SHEET NUMBER	
	A3						E-73403-608	PDD	001	4 OF 5	



400 SET PER 13" REEL



400 SET PER 13" REEL



1600 SET PER OUTER
CARTON BOX
394 X 391 X 212 REF

QUALITY SYMBOLS ▽ = 0 ▽ = 0 ▽ = 0 ▼ = 0 ▽ = 0 ⊠ = 0 ■ = 0 ▽ = 0	THIS DRAWING CONTAINS INFORMATION THAT IS PROPRIETARY TO MOLEX ELECTRONIC TECHNOLOGIES, LLC AND SHOULD NOT BE USED WITHOUT WRITTEN PERMISSION										
	MIGRATED TO ECTRIX 2017/11/08		2017/11/15		GENERAL TOLERANCES (UNLESS SPECIFIED)		DIMENSION UNITS		SCALE		
	EC NO: 167544		CHKD: YCHENG		ANGULAR TOL ± 2.0 °		MM/IN		NTS		
	DRWN: ELIN		APPR: YCHENG		4 PLACES ±		DRWN BY		DATE		
	REV: A3		2017/11/15		3 PLACES ±		ELIN		2012/06/26		
					2 PLACES ±		CHKD BY		DATE		
					1 PLACE ±		KERRIE		2012/06/26		
					0 PLACES ±		APPR BY		DATE		
					DRAFT WHERE APPLICABLE MUST REMAIN WITHIN DIMENSIONS		YCHENG		2014/07/17		
					DRAWING SIZE		THIRD ANGLE PROJECTION				
				C							
RELEASE STATUS		P1		RELEASE DATE		15.11.2017		02:00:47		SERIES: 73403 MATERIAL NUMBER: SEE TABLE CUSTOMER: GENERAL MARKET	
12		11		10		9		8		5 OF 5	