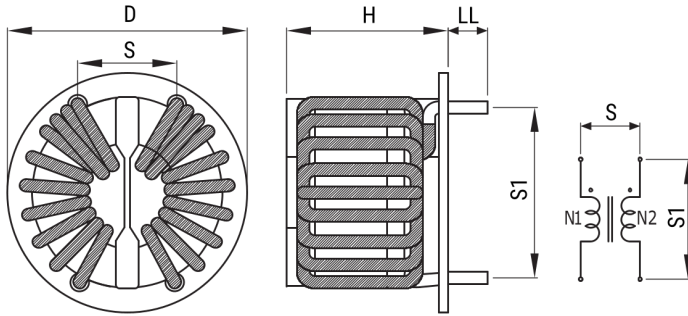


## SC-12-100JH

Aliases (UALSC12100JH00)

KEMET, SC-JH, AC Line Filters, Common Mode, 10 mH



Click [here](#) for the 3D model.

### Dimensions

D	65mm MAX
H	40mm MAX
LL	5mm +/-2mm
S	35mm NOM
S1	44mm NOM
Wire Size	1.6mm

### Packaging Specifications

Packaging	Tray
Packaging Quantity	45
Component Weight	190 g

### General Information

Series	SC-JH
Style	Through-Hole
RoHS	Yes
Notes	Lead Spacing (S/S1) Are For Reference Only.
Miscellaneous	Temperature Rise Maximum: 78 K.
Core	Mn-Zn Ferrite

### Specifications

Voltage AC	250 VAC
Inductance	10 mH (100 kHz)
Current	12 A
Temperature Range	-25/+105°C
DC Resistance	32 mOhms