

| REVISIONS | | | | | |
|-----------|-----|---------------------------|-----------|-----|------|
| P | LTR | DESCRIPTION | DATE | DWN | APVD |
| | A1 | REVISED PER ECO-20-005258 | 15APR2020 | SR | JB |

SPECIFICATIONS

MECHANICAL LIFE: 30,000 MAKE-AND-BREAK CYCLES.

CONTACT RESISTANCE: 20 mΩ MAX. INITIAL @ 2-4VDC
100mA FOR BOTH SILVER AND GOLD
PLATED CONTACTS.

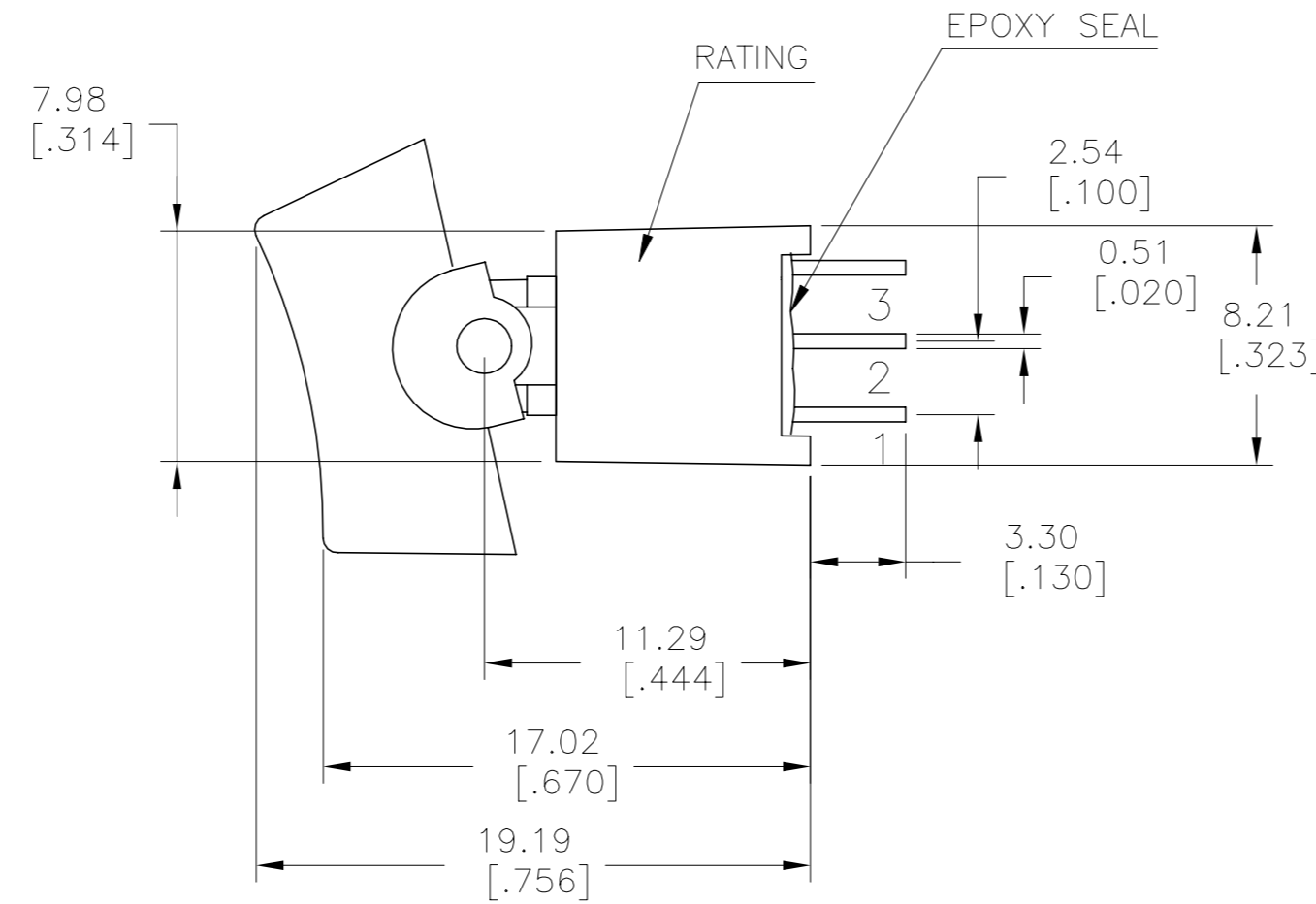
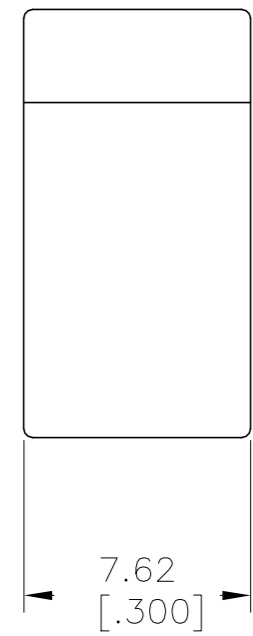
CONTACT RATING: GOLD-0.4 VA MAX @ 20 V MAX (AC OR DC)
SILVER-3 A @ 120 VAC OR 28 VDC
1 A @ 250 VAC

INSULATION RESISTANCE: 1,000 MΩ MIN.

DIELECTRIC STRENGTH: 1,000 Vrms @SEA LEVEL.

OPERATING TEMPERATURE: -30°C TO 85°C.

SEALED PER: IP67



| | | | | | | | | | |
|------------------|---------|---------|----------|-----------------|-------------------------|-------|--------|----------------|-----------|
| SILVER | 2-1,5-4 | 2-3,5-6 | ON-ON | V-BRACKET | VERTICAL | 2 | 2 | RAD1R102VS2QES | 2267088-8 |
| GOLD | 2-1 | 2-3 | ON-ON | V-BRACKET | VERTICAL | 1 | 2 | RAS1R102VS2RES | 2267088-7 |
| GOLD | 2-1,5-4 | 2-3,5-6 | ON-ON | PC THROUGH HOLE | VERTICAL RIGHT ANGLE | 2 | 2 | RAD1R102M7RES | 2267088-6 |
| GOLD | 2-1 | 2-3 | ON-ON | PC THROUGH HOLE | VERTICAL RIGHT ANGLE | 1 | 2 | RAS1R102M7RES | 2267088-5 |
| SILVER | 2-1,5-4 | 2-3,5-6 | ON-ON | PC THROUGH HOLE | RIGHT ANGLE | 2 | 2 | RAD1R102M6QES | 2267088-4 |
| SILVER | 2-1 | 2-3 | ON-ON | PC THROUGH HOLE | RIGHT ANGLE | 1 | 2 | RAS1R202M6QES | 2267088-3 |
| SILVER | 2-1,5-4 | 2-3,5-6 | ON-ON | PC THROUGH HOLE | VERTICAL | 2 | 2 | RAD1R102M2QES | 2267088-2 |
| GOLD | 2-1 | 2-3 | ON-ON | PC THROUGH HOLE | VERTICAL | 1 | 2 | RAS1R102M2RES | 2267088-1 |
| CONTACT MATERIAL | POS 2 | POS 1 | FUNCTION | TERMINATION | MOUNT ANGLE | POLES | THROWS | DESCRIPTIVE PN | TE PN |

THIS DRAWING IS A CONTROLLED DOCUMENT.

DIMENSIONS: mm [INCHES]

TOLERANCES UNLESS OTHERWISE SPECIFIED:

| | |
|--------|--------------|
| 0 PLC | ± - |
| 1 PLC | ± 0.38[.015] |
| 2 PLC | ± 0.25[.010] |
| 3 PLC | ± - |
| 4 PLC | ± - |
| ANGLES | ± 5° |

MATERIAL: - FINISH: -

APPROVALS:

| | | |
|------|-----------|---------------|
| DWN | 10JUL2014 | NAGALAKSHMI K |
| CHK | 10JUL2014 | HILL, RYAN |
| APVD | 10JUL2014 | HILL, RYAN |

PRODUCT SPEC: - APPLICATION SPEC: -

WEIGHT: -

CUSTOMER DRAWING

TE Connectivity Ltd. SUBMINIATURE ROCKER SWITCHES

SIZE: A2 CAGE CODE: 00779 DRAWING NO: C=2267088 RESTRICTED TO: -

SCALE: 3:1 SHEET: 1 of 5 REV: A1

4

3

2

1

© - TE Connectivity. All Rights Reserved.

REVISIONS

| P | LTR | DESCRIPTION | DATE | DWN | APVD |
|---|-----|-------------|------|-----|------|
| - | - | SEE SHEET 1 | - | - | - |

ACTUATOR OPTIONS

PANEL MOUNTING

R1

WIDE ACTUATOR

PANEL MOUNTING

R2

NARROW ACTUATOR

TERMINATION OPTIONS

SPDT M2
PCB THROUGH-HOLE

P.C. MOUNTING

P.C. MOUNTING

DPDT M2
PCB THROUGH-HOLE

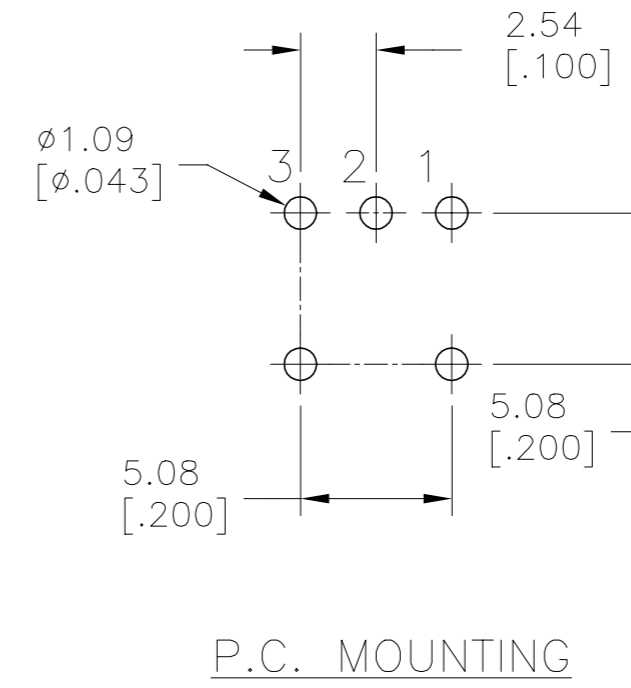
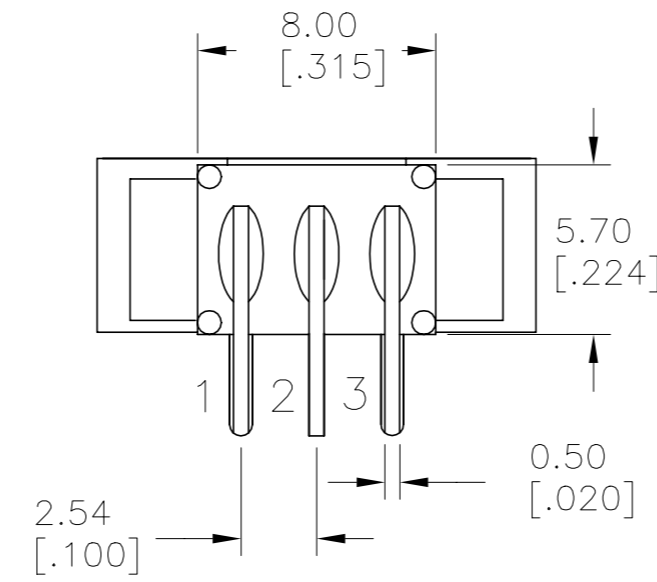
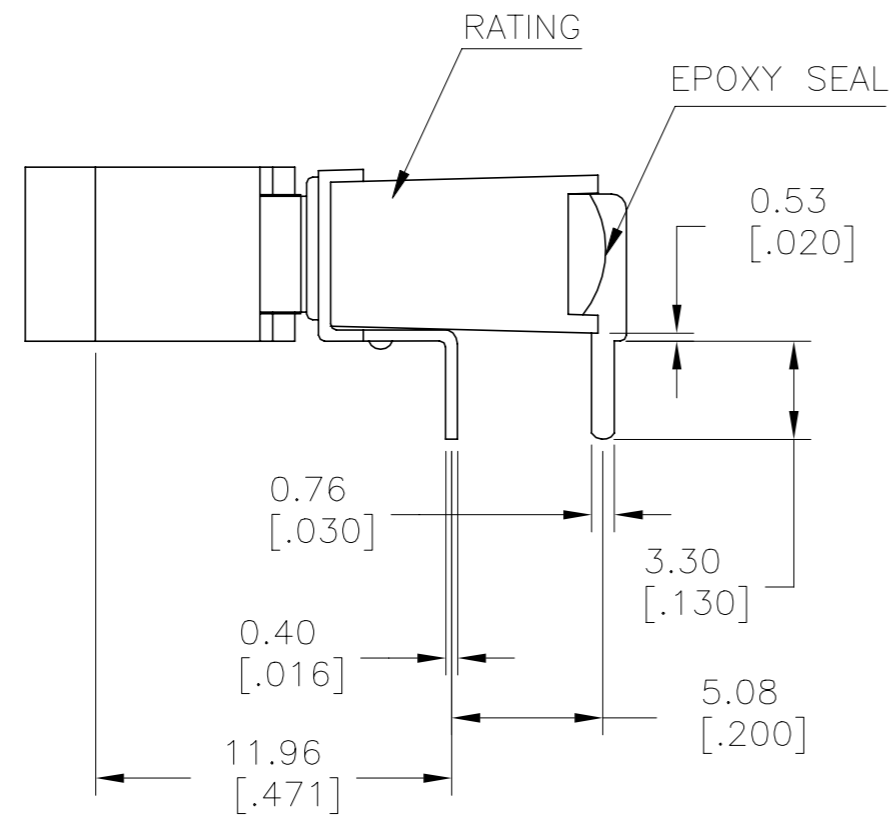
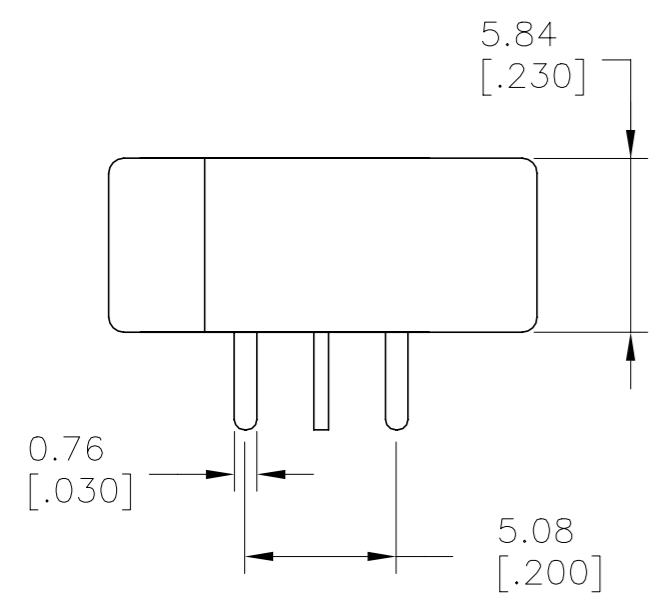
LAYOUT FOR PN 2267088-1 & 2

| | | | | |
|--|--|--|----------------------|----------------------------------|
| THIS DRAWING IS A CONTROLLED DOCUMENT. | | DWN NAGALAKSHMI K 10JUL2014 | TE Connectivity Ltd. | |
| DIMENSIONS: mm [INCHES] | | CHK HILL, RYAN 10JUL2014 | | |
| | | TOLERANCES UNLESS OTHERWISE SPECIFIED: | | APVD HILL, RYAN 10JUL2014 |
| | | 0 PLC ± - 1 PLC ± 0.38[.015] 2 PLC ± 0.25[.010] 3 PLC ± - 4 PLC ± - ANGLES ± 5° | | PRODUCT SPEC APPLICATION SPEC |
| MATERIAL - | | FINISH - | | WEIGHT - |
| | | CUSTOMER DRAWING | | SCALE 3:1 |
| | | SIZE A2 | | CAGE CODE 00779 |
| | | DRAWING NO C=2267088 | | RESTRICTED TO - |
| | | SHEET 2 of 5 | | REV A1 |

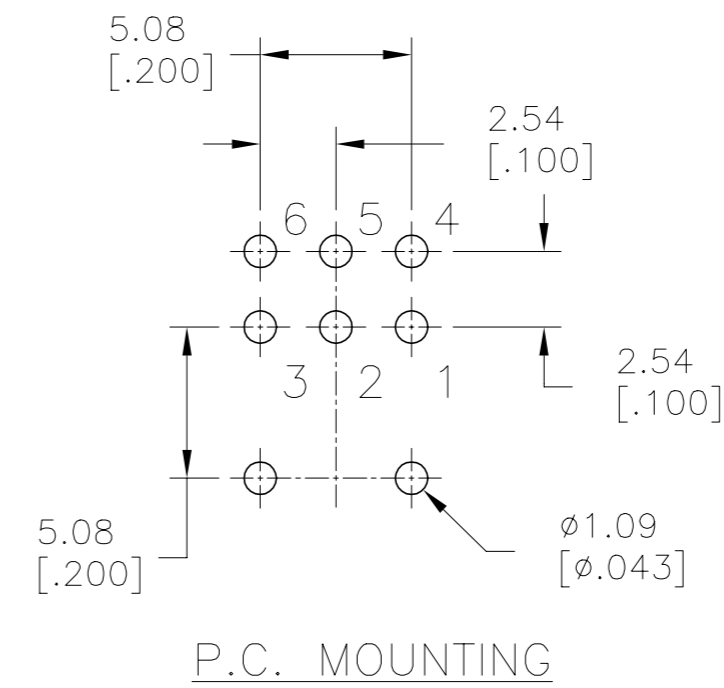
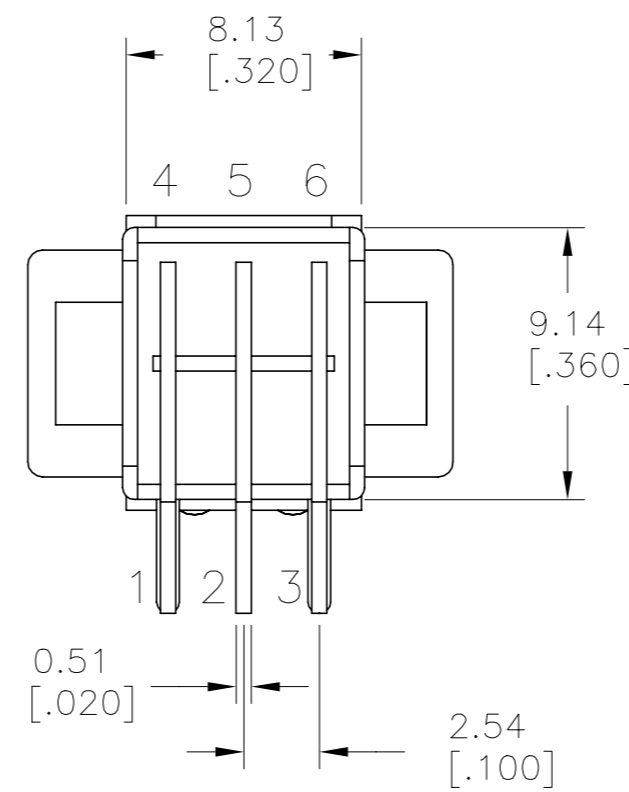
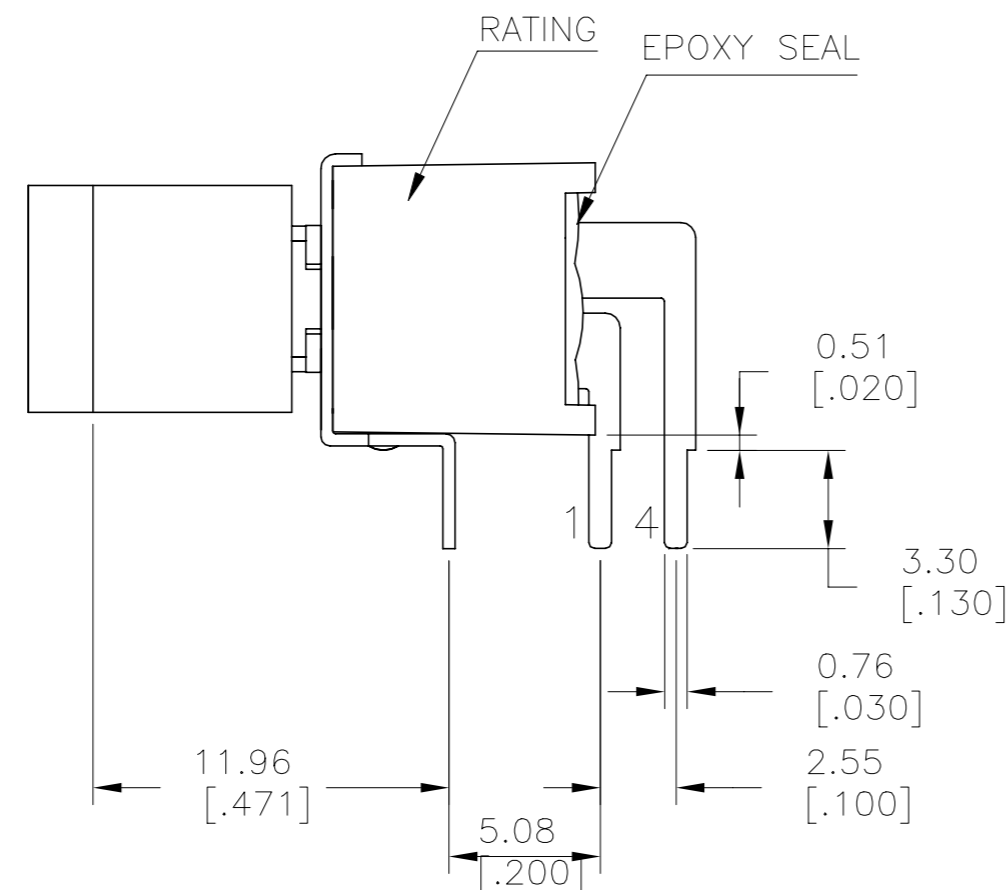
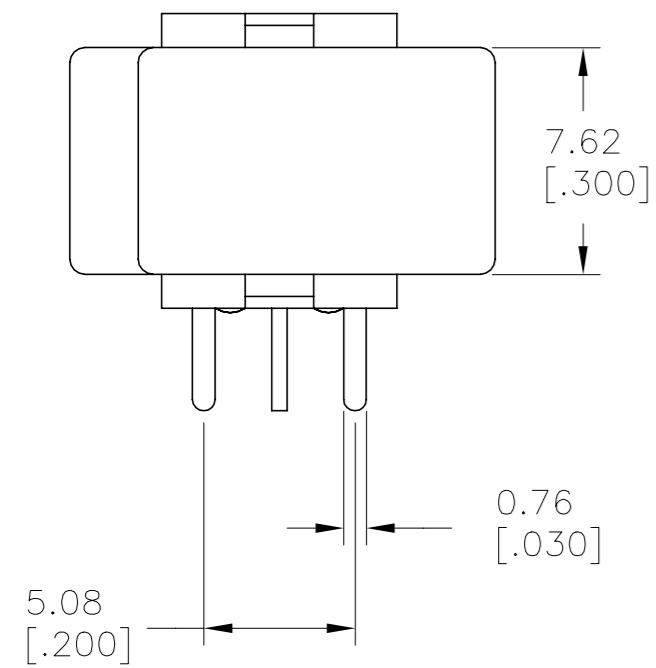
1471-9 (1/15)

2267088

| REVISIONS | | | | | |
|-----------|-----|-------------|------|-----|------|
| P | LTR | DESCRIPTION | DATE | DWN | APVD |
| - | - | SEE SHEET 1 | - | - | - |



SPDT M6
RIGHT ANGLE

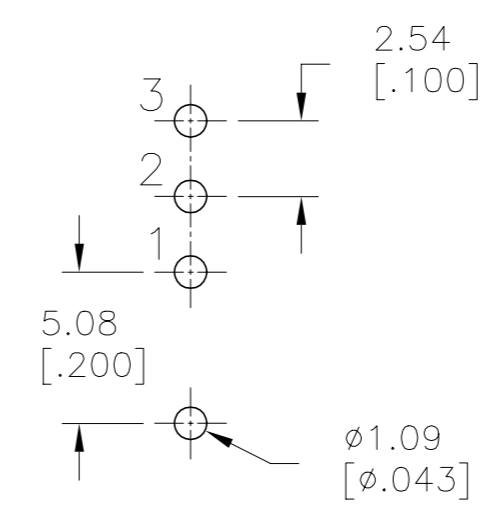
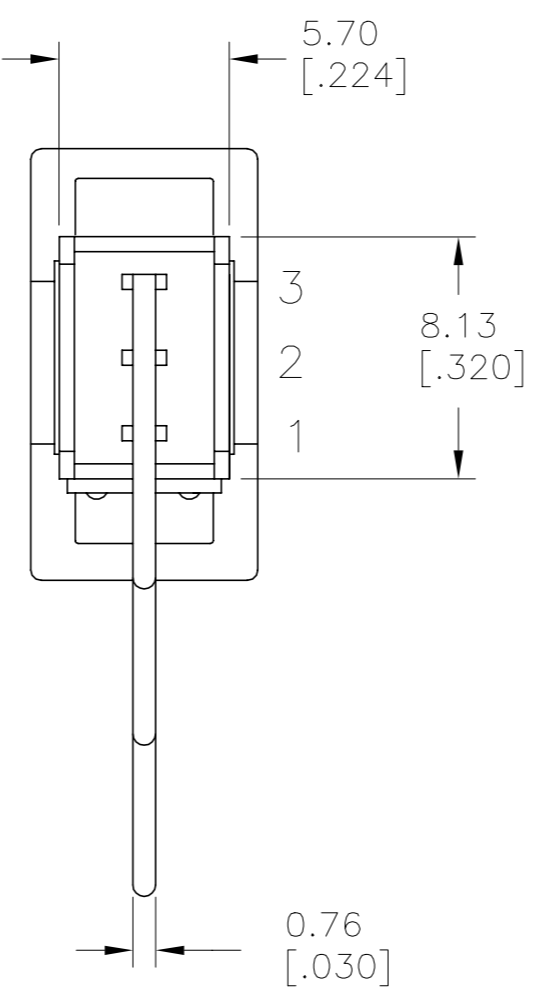
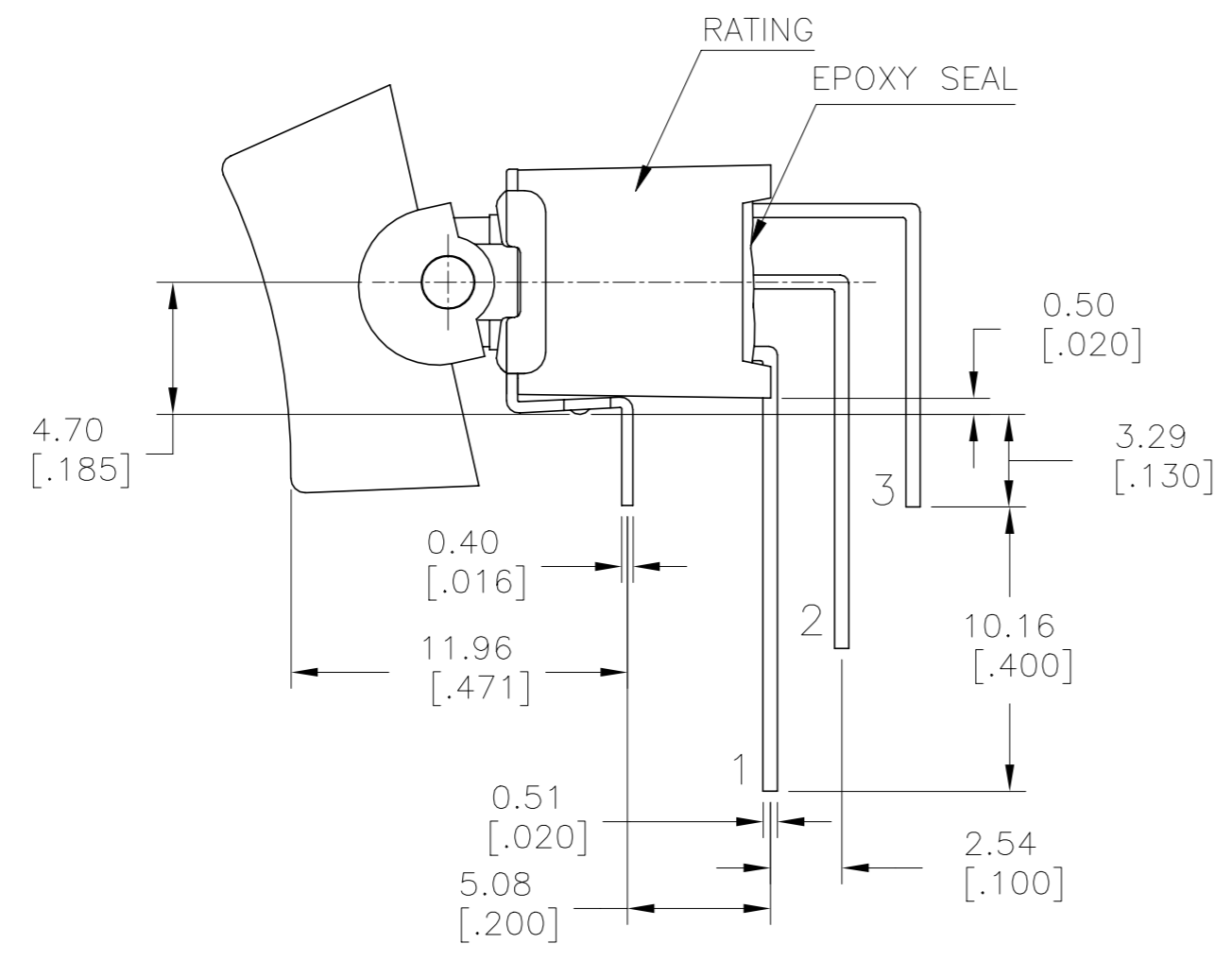
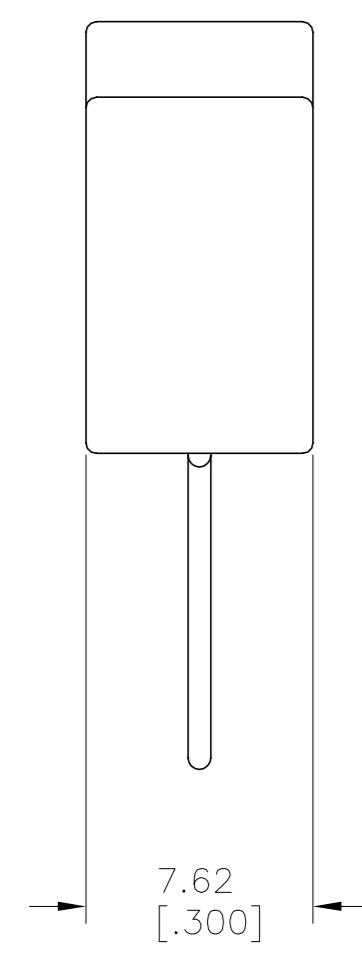


DPDT M6
RIGHT ANGLE

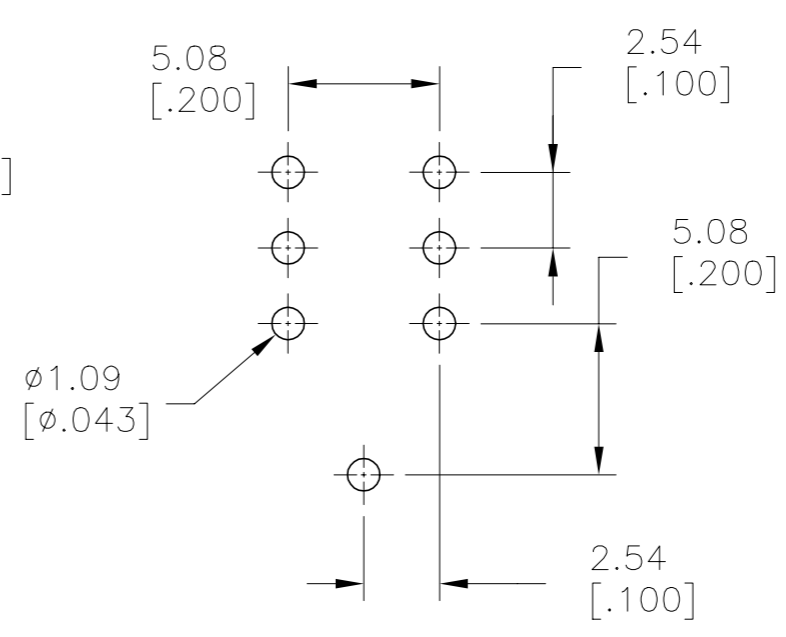
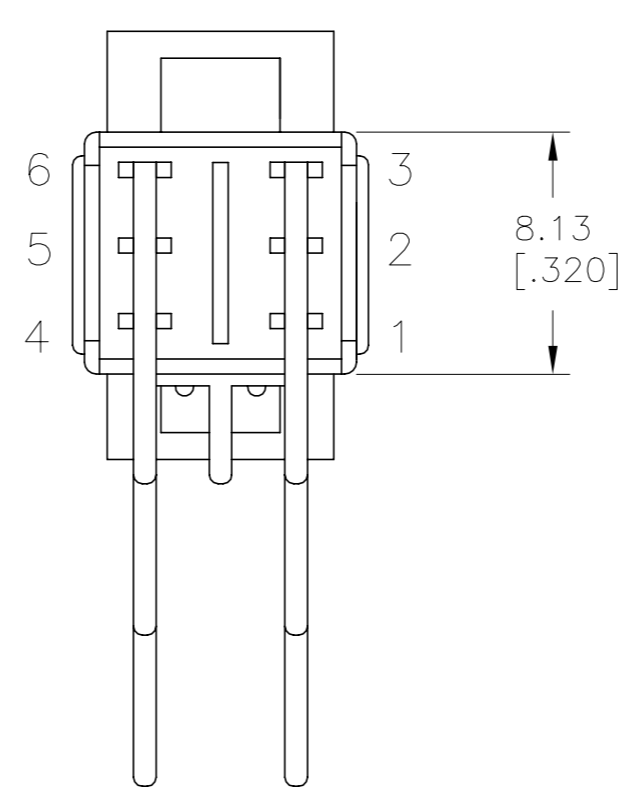
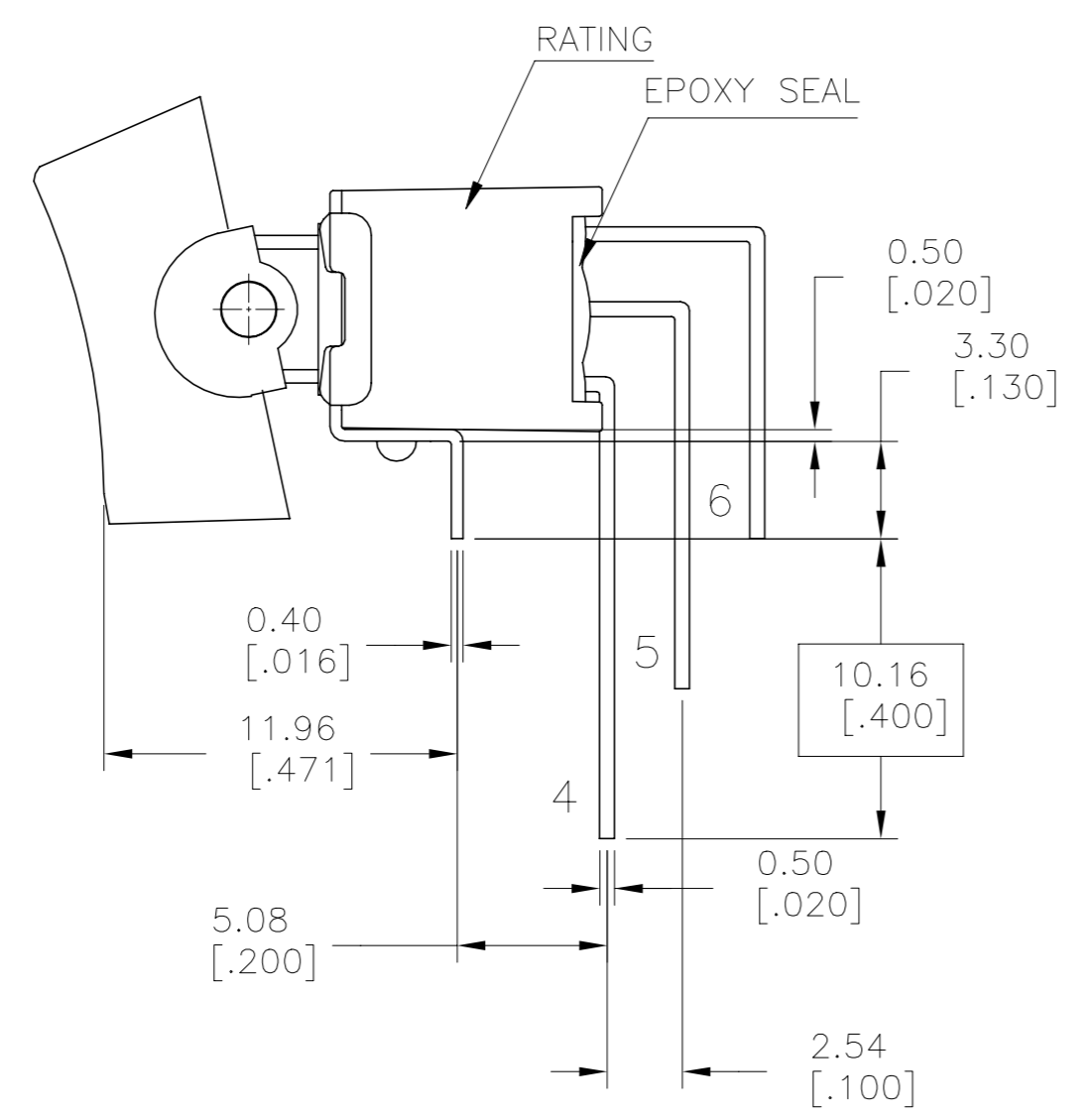
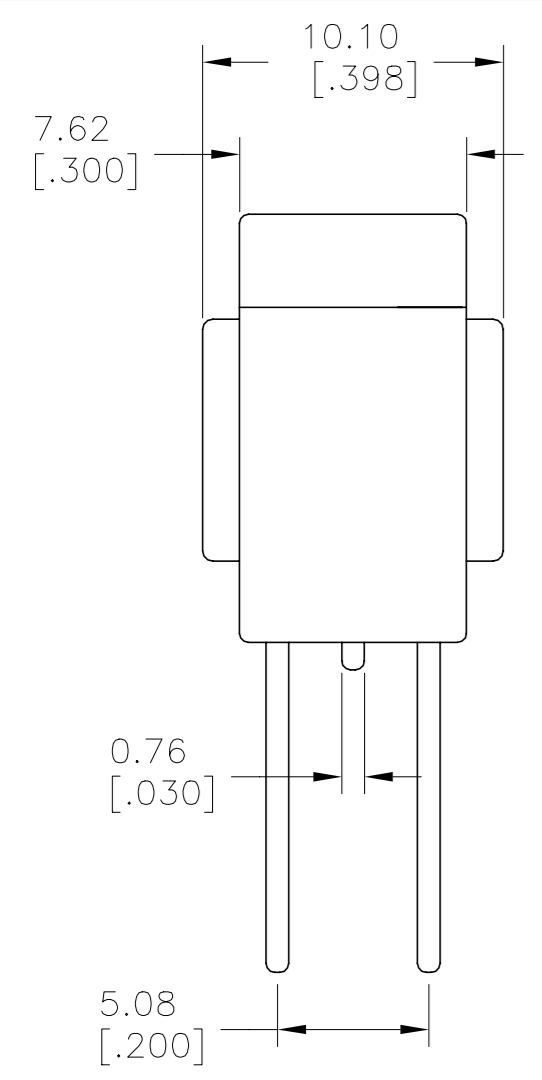
LAYOUT FOR PN 2267088-3 & 4

| | | | | |
|--|--|-----------------------------------|-------------------------|--------------------|
| THIS DRAWING IS A CONTROLLED DOCUMENT. | | DWN NAGALAKSHMI K 10JUL2014 | TE Connectivity Ltd. | |
| DIMENSIONS: mm [INCHES] | | CHK HILL, RYAN 10JUL2014 | | |
| TOLERANCES UNLESS OTHERWISE SPECIFIED: | | APVD HILL, RYAN 10JUL2014 | PRODUCT SPEC | RESTRICTED TO |
| 0 PLC ± - 1 PLC ± 0.38[015] 2 PLC ± 0.25[010] 3 PLC ± - 4 PLC ± - ANGLES ± 5° | | APPLICATION SPEC | SCALE | 3:1 |
| MATERIAL | | WEIGHT | SIZE A2 | CAGE CODE 00779 |
| | | FINISH | DRAWING NO C=2267088 | SHEET 3 of 5 |
| | | | CUSTOMER DRAWING | REV A1 |

| REVISIONS | | | | | |
|-----------|-----|-------------|------|-----|------|
| P | LTR | DESCRIPTION | DATE | DWN | APVD |
| - | - | SEE SHEET 1 | - | - | - |



SPDT M7
VERTICAL
RIGHT ANGLE

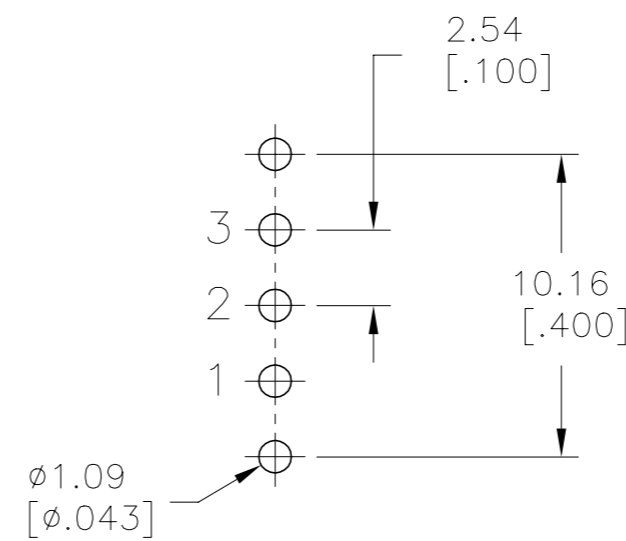
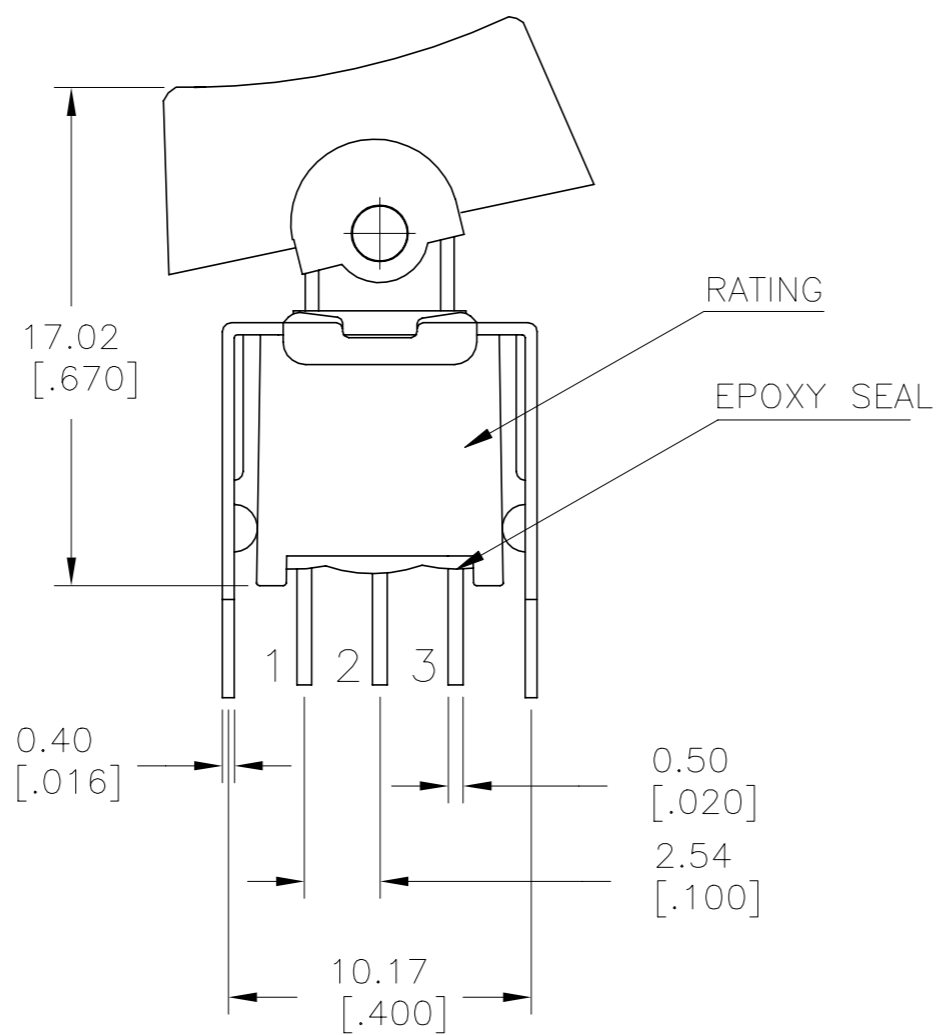
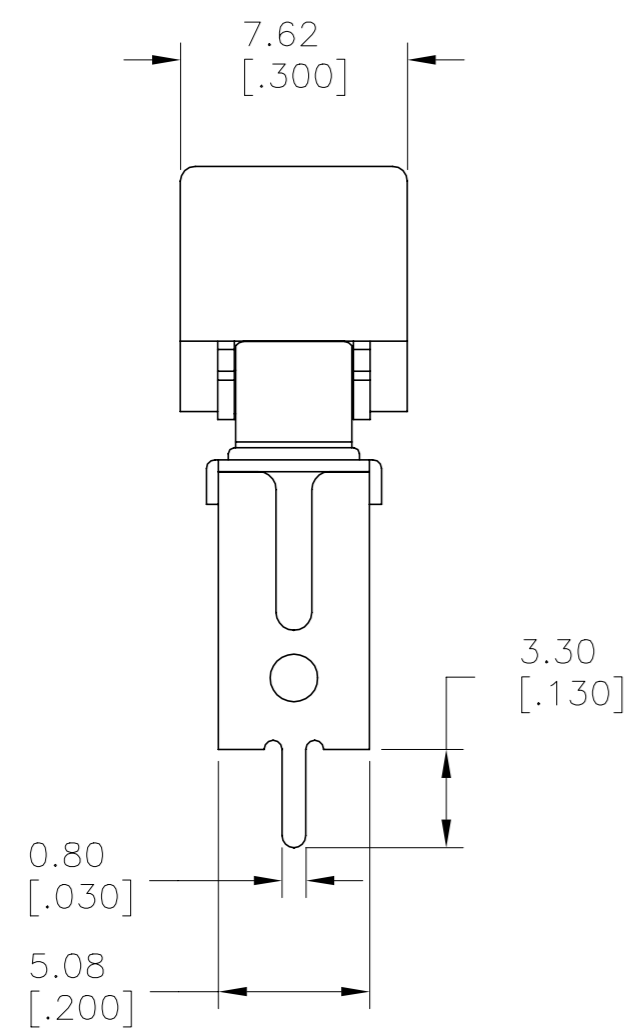


DPDT M7
VERTICAL
RIGHT ANGLE

LAYOUT FOR PN 2267088-5 & 6

| | | | | | |
|--|--|----------------------|-----------|--------------------------------------|--|
| THIS DRAWING IS A CONTROLLED DOCUMENT. | | DWN NAGALAKSHMI K | 10JUL2014 | TE Connectivity Ltd. | |
| DIMENSIONS: mm [INCHES] | | CHK HILL, RYAN | 10JUL2014 | | |
| TOLERANCES UNLESS OTHERWISE SPECIFIED: | | APVD HILL, RYAN | 10JUL2014 | NAME SUBMINIATURE ROCKER SWITCHES | |
| 0 PLC ± - | | PRODUCT SPEC | | SIZE A2 | |
| 1 PLC ± 0.38[.015] | | APPLICATION SPEC | | CAGE CODE 00779 | |
| 2 PLC ± 0.25[.010] | | WEIGHT | | DRAWING NO C=2267088 | |
| 3 PLC ± - | | CUSTOMER DRAWING | | RESTRICTED TO | |
| 4 PLC ± - | | SCALE 3:1 | | SHEET 4 of 5 | |
| ANGLES ± 5° | | REV A1 | | | |
| MATERIAL | | | | | |
| FINISH | | | | | |

| REVISIONS | | | | | |
|-----------|-----|-------------|------|-----|------|
| P | LTR | DESCRIPTION | DATE | DWN | APVD |
| - | - | SEE SHEET 1 | - | - | - |



SPDT VS2
VERTICAL V-BRACKET

P.C. MOUNTING

D

D

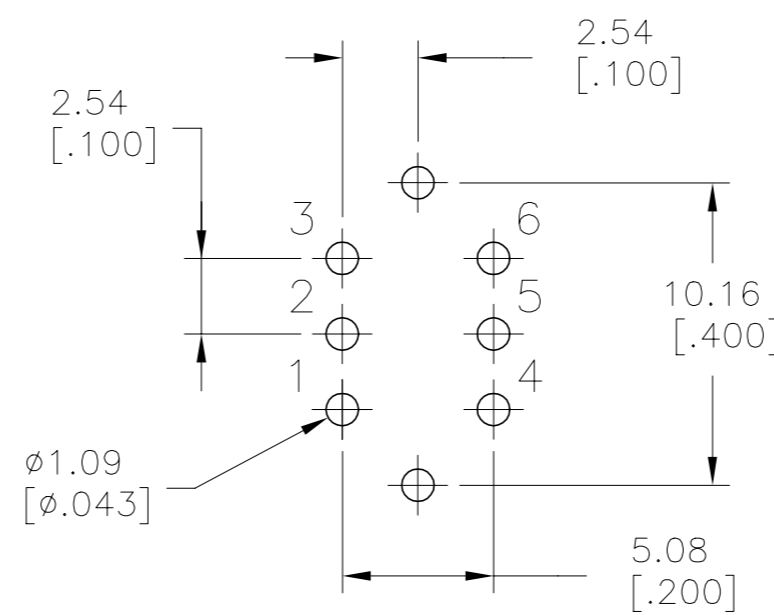
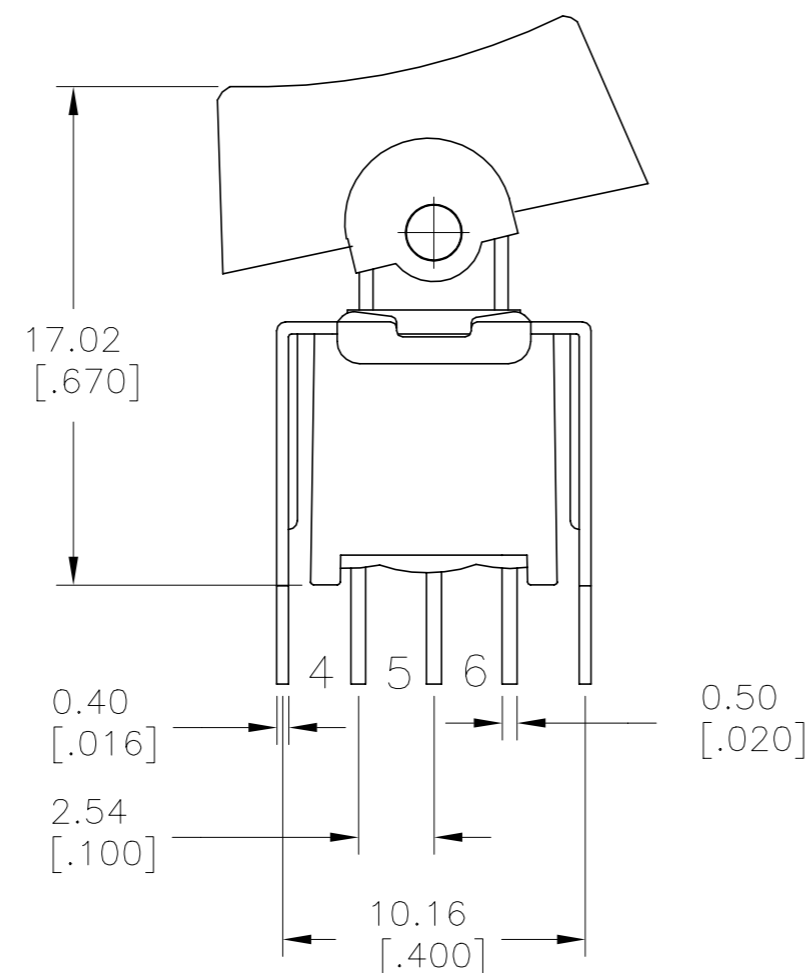
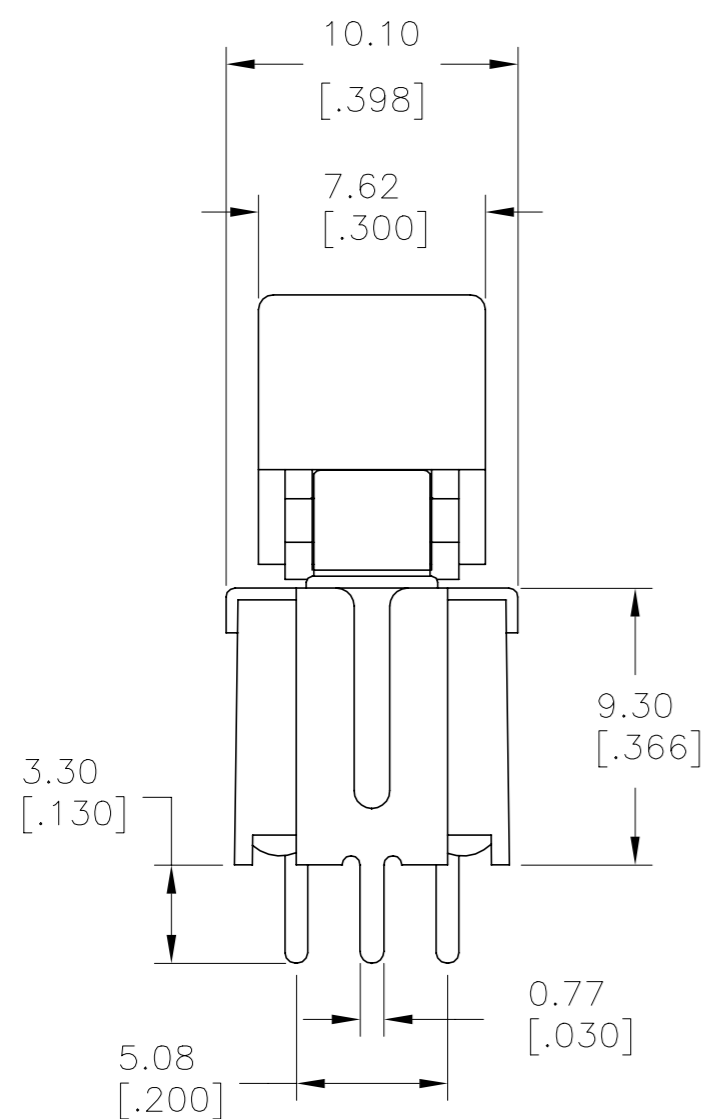
C

C

B

B

2267088



DPDT VS2
VERTICAL V-BRACKET

P.C. MOUNTING

LAYOUT FOR PN 2267088-7 & 8

A

A

| | | | | |
|--|--|-----------------------------------|----------------------|------------------------------|
| THIS DRAWING IS A CONTROLLED DOCUMENT. | | DWN NAGALAKSHMI K 10JUL2014 | TE Connectivity Ltd. | |
| DIMENSIONS: mm [INCHES] | | CHK HILL, RYAN 10JUL2014 | | |
| TOLERANCES UNLESS OTHERWISE SPECIFIED: | | PRODUCT SPEC | | SUBMINIATURE ROCKER SWITCHES |
| 0 PLC ± - 1 PLC ± 0.38[.015] 2 PLC ± 0.25[.010] 3 PLC ± - 4 PLC ± - ANGLES ± 5° | | APPLICATION SPEC | | RESTRICTED TO |
| MATERIAL | | WEIGHT | | SIZE A2 |
| FINISH | | CAGE CODE 00779 | | DRAWING NO C=2267088 |
| | | CUSTOMER DRAWING | | SCALE 3:1 |
| | | | | SHEET 5 of 5 |
| | | | | REV A1 |