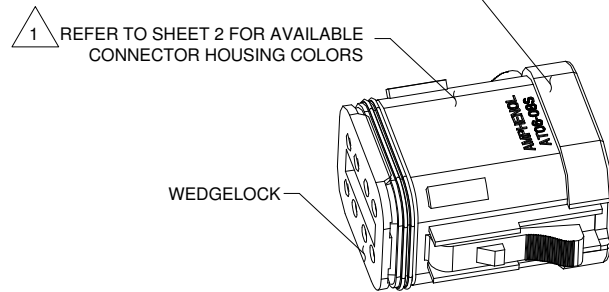
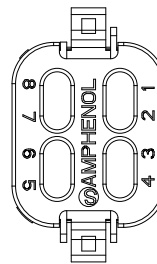
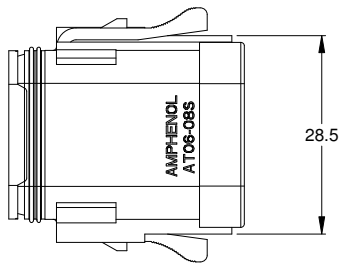
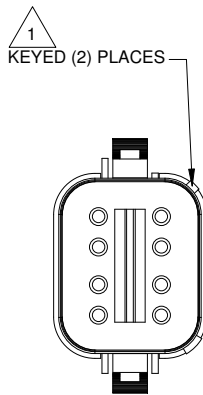


REVISIONS					
REV	ECO	DESCRIPTION	DATE	BY	APPR
A3	-	RELEASE NEW DWG FORMAT	03/JAN/14	ORION	-
A4	C0548S	ADD WEDGELOCK AND UPDATE DIMENSIONS	26JUN16	JONY	-



NOTES: UNLESS OTHERWISE SPECIFIED

1 SEE SHEET 2 FOR KEY ARRANGEMENTS AND COLORS.

- 2. MATERIAL:
HOUSING: THERMOPLASTIC
SEAL: SILICONE RUBBER
WEDGELOCK: THERMOPLASTIC
- 3. MODIFICATIONS: BLOCKED GROMMET

- 4. SPECIFICATIONS:
4.1 CURRENT RATING: 13 AMPS
4.2 OPERATING TEMPERATURE: -55°C TO +125°C
4.3 DIELECTRIC WITHSTANDING VOLTAGE: LESS THAN 2 MILLIAMPS CURRENT LEAKAGE @ 1500 VOLTS AC.
4.4 INSULATION RESISTANCE: 1000 MEGOHMS MIN @ 25°C.
4.5 MOISTURE RESISTANCE: IP67 (MATED CONDITION)
4.6 MATING CYCLE DURABILITY: 100 CYCLES
4.7 RoHS COMPLIANT

5. MATING PART: AT04-08PX* RECEPTACLE
(X = A,B,C,D KEYS; * = MODIFICATIONS AND COLORS)

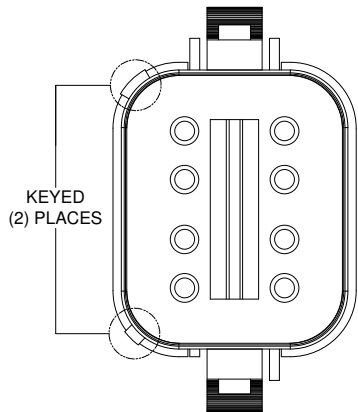
6. ALL DIMENSIONS ARE FOR REFERENCE USE ONLY.

SEE PART NUMBER CHART		DESCRIPTION		ITEM
QUANTITY	PART NUMBER	DESCRIPTION		ITEM
MATERIALS LIST				
UNLESS OTHERWISE SPECIFIED 1) All dimensions are in metric (mm). 2) Tolerances are as follows: 1 PL DEC ±0.30 2 PL DEC ±0.15 3 PL DEC ±0.08 Fractions ±1/64 Angles ±1° 3) Note reference - \triangle		SIGNATURES DRAWN: ORIONLI CHECKED: ENGINEER: APPROVAL:	DATE 03/JAN/14	 Sine Systems - www.amphenol-sine.com 44724 Morley Drive Clinton Township, MI 48036 PLUG, 8 SOCKET, AT SERIES, KEYED, BLOCKED GROMMET
MATERIAL SPECIFICATIONS:		CUSTOMER:		
PROCESS SPECIFICATIONS:		THIS DRAWING IS SUPPLIED FOR INFORMATION ONLY. DESIGN FEATURES, SPECIFICATIONS AND PERFORMANCE DATA SHOWN HEREON ARE THE PROPERTY OF THE AMPHENOL CORPORATION. NO RIGHTS OF REPRODUCTION ARE IMPLIED. ALL DIMENSIONS ARE SUBJECT TO NORMAL MANUFACTURING VARIATIONS.		
NEXT ASSY:		CUSTOMER:		
SIZE	B C-	TYPE	DWG NO:	REVISION
SCALE	NONE		AT06-08SX-SS01	A4
			SHEET 1 OF 2	

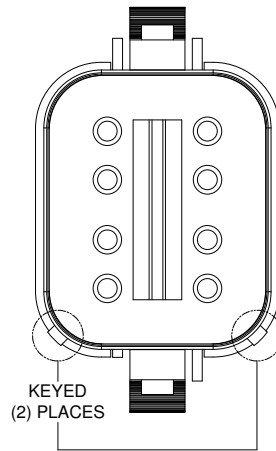
TITLE: PLUG, 8 SOCKET, AT SERIES, KEYED, BLOCKED GROMMET
DWG NO.: AT06-08SX-SS01
REV: A4
SH: 1
OF: 2

REVISIONS					
REV	ECO	DESCRIPTION	DATE	BY	APPR

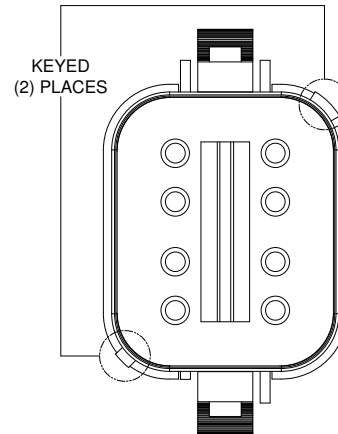
P/N AT06-08SA-SS01
KEY-A CONFIGURATION
STANDARD COLOR: GREY



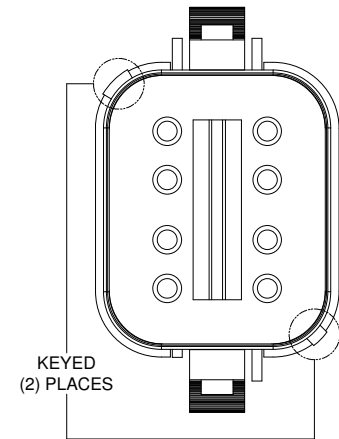
P/N AT06-08SB-SS01
KEY-B CONFIGURATION
STANDARD COLOR: BLACK



P/N AT06-08SC-SS01
KEY-C CONFIGURATION
STANDARD COLOR: GREEN



P/N AT06-08SD-SS01
KEY-D CONFIGURATION
STANDARD COLOR: BROWN



KEY-A CONFIGURATION	
COLOR	PART NUMBER
* GREY	AT06-08SA-SS01
BLACK	AT06-08SA-SSBLK
GREEN	AT06-08SA-SSGRN
BROWN	AT06-08SA-SSBRN

KEY-B CONFIGURATION	
COLOR	PART NUMBER
GREY	AT06-08SB-SSGRY
* BLACK	AT06-08SB-SS01
GREEN	AT06-08SB-SSGRN
BROWN	AT06-08SB-SSBRN

KEY-C CONFIGURATION	
COLOR	PART NUMBER
GREY	AT06-08SC-SSGRY
BLACK	AT06-08SC-SSBLK
* GREEN	AT06-08SC-SS01
BROWN	AT06-08SC-SSBRN

KEY-D CONFIGURATION	
COLOR	PART NUMBER
GREY	AT06-08SD-SSGRY
BLACK	AT06-08SD-SSBLK
GREEN	AT06-08SD-SSGRN
* BROWN	AT06-08SD-SS01

NOTE:

AN ASTERISKS (*) PLACED BEFORE THE COLOR DENOTES THE STANDARD MOLDED COLOR OF THE CONNECTORS SHOWN ABOVE. STRAIN RELIEF END CAPS ARE AVAILABLE IN BLACK ONLY.

OTHER COLORS SHOWN ARE AVAILABLE VIA SPECIAL ORDER.

QUANTITY	PART NUMBER	DESCRIPTION	ITEM
MATERIALS LIST			
UNLESS OTHERWISE SPECIFIED 1) All dimensions are in metric (mm). 2) Tolerances are as follows: 1 PL DEC ±0.30 2 PL DEC ±0.15 3 PL DEC ±0.08 Fractions ±1/64 Angles ±1°		SIGNATURES	DATE
MATERIAL SPECIFICATIONS:		ORIONLI	03/JAN/14
PROCESS SPECIFICATIONS:		CHECKED:	
NEXT ASSY:		ENGINEER:	
		APPROVAL:	
		CUSTOMER:	
		THIS DRAWING IS SUPPLIED FOR INFORMATION ONLY. DESIGN FEATURES, SPECIFICATIONS AND PERFORMANCE DATA SHOWN HEREON ARE THE PROPERTY OF THE AMPHENOL CORPORATION. NO RIGHTS OF REPRODUCTION ARE IMPLIED. ALL DIMENSIONS ARE SUBJECT TO NORMAL MANUFACTURING VARIATIONS.	
		<p style="text-align: center;">Amphenol</p> <p style="text-align: center;">Sine Systems - www.amphenol-sine.com 44724 Morley Drive Clinton Township, MI 48036</p> <p style="text-align: center;">PLUG, 8 SOCKET, AT SERIES, KEYED, BLOCKED GROMMET</p>	
		SIZE	REVISION
		B C-	A4
		SCALE: NONE	
		SHEET 2 OF 2	

TITLE: PLUG & SOCKET, AT SERIES, KEYED, BLOCKED GROMMET DWG NO: AT06-08SX-SS01 REV: A4 SH: 2 OF: 2