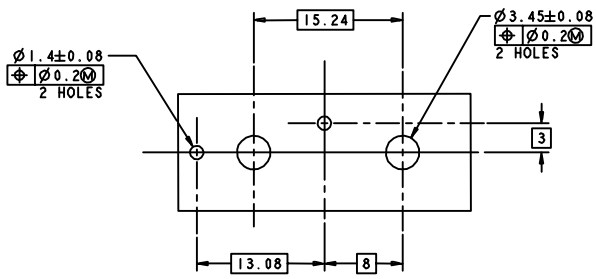
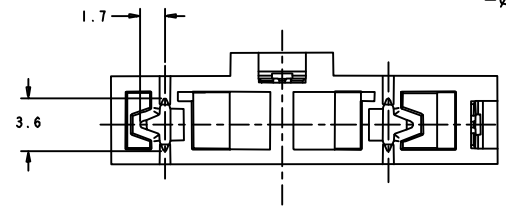
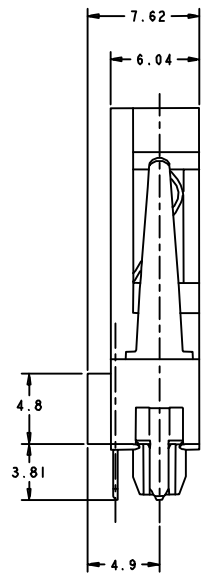
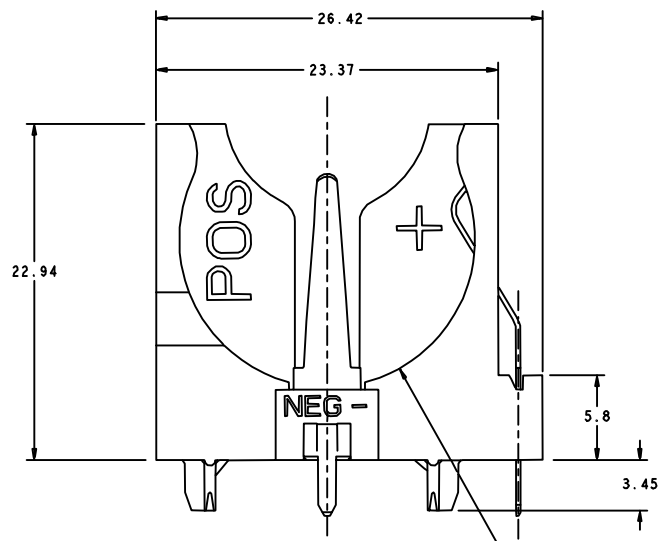
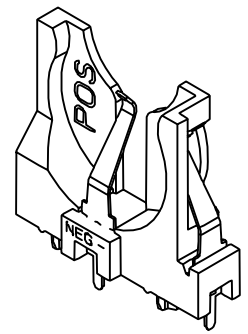


REVISIONS			
REV	DATE	DESCRIPTION	BY
A		ADD GENERAL TOLERANCE	09NOV2017 A.L.WK.F



PC BOARD LAYOUT VIEWED FROM COMPONENT SIDE OF BOARD
SCALE 4:1

△ MATERIAL: CONNECTOR HOUSING- PBT, GLASS FILLED, UL-94V-0 FLAME CLASS RATING, BLACK. CONTACTS- STAINLESS STEEL, TIN COATED. 0.0015-0 0040 THICK OVER NICKEL 0 0015 MIN THICK.
2. CONNECTOR ACCEPTS BATTERY NUMBER CR2032.



SCALE 4:1

6339488-1
PART NO.

THIS DRAWING IS A CONTROLLED DOCUMENT.		REV	ART. LIT.	09NOV2017	TE Connectivity	
DRAWN BY		DESIGNER	ENGINEER	09NOV2017	BATTERY CONNECTOR ASSEMBLY VERTICAL MOUNT	
CHECKED BY		APPROVED BY	09NOV2017	SCALE: 1:1 SHEET 1 OF 1 REV A		
MATERIAL		FINISH	SECURITY	5	A100779C-6339488	RESERVED TO
CUSTOMER DRAWING		SCALE		1:1	SHEET 1 OF 1 REV A	